



SISTEMA ALESATURA MODULARE

Stanny



Emmepi Utensileria s.r.l.
SEDE LEGALE
+39 0445 576210
Via Lago di Albano, 5 - 36015 Schio (VI)



Cuma
DIVISIONE PRODUZIONE
+39 049 870 0810
Viale della Regione Veneto, 22, 35127 Padova (PD)

utensileria.it
ordini@utensileria.it



Stanny®



目次 Index

- 18~27** 搪孔刀柄
Taper Shank for Boring System
- 28~54** **HBIT®** 雙刃粗搪孔刀系統
Adjustable Twin Cutter Roughing and Semi-Finishing Boring System
- 55~61** **1143** 高速搪孔刀
For High Speed Cutting Bar Fine Boring System
- 62~63** **BMH** 搪孔刀系列
Semi-Finishing Boring System
- 64~94** **HBOR®** 極細微調精搪孔刀系統
Micro-Finishing Cutter Fine Boring System
- 95~102** **HBDR®** 微調精搪孔系統
Boring System
- 103~111** h100-B72大孔徑搪孔刀組合系統
h100-B72 Large Diameter Boring System
- 112~120** h100-AL120大孔徑搪孔刀組合系統
h100-AL120 Large Diameter Boring System
- 121~126** **HNBJ®** 小徑精搪孔系統
Small Diameter Boring System
- 127~131** **HRBH®** 微調精搪孔系統
NBH® Boring System





搪孔組合系統

組合式搪孔刀-兩個相隔90°有斜面的鎖緊螺絲，結合搪孔刀柄使徑向與軸向和帶動稍緊密著，產生最大的剛性。

彈性的搪孔刀組合，對應各種加工孔徑的大小及加工孔徑的深度，組合搪孔刀柄、延長接桿、縮徑接桿、結合粗搪孔刀、精搪孔刀而彈性變化。

我們依據組合刀柄外徑為系統代表稱H25，H為系統代表，25為組合刀柄外徑尺寸值，目前有H25、H32、H40、H50、H63、H80、H100系統。

大孔徑組合系統

彈性的搪孔刀組合，對應各種較大的加工孔徑及加工孔徑的深度，組合搪孔刀柄、變徑滑座、結合粗搪孔刀、精搪孔刀而彈性變化，目前有h100-B72、h100-AL120系統。

Modular Boring System

Taper shank, stepped spacer, extension spacer and the body have two screw holes at a 90 degrees distance on the sides. Except taper shank, the stepped spacer, extension spacer and the body have a pin. A hole can also be found at the bottom of taper shank, stepped spacer and extension spacer. With these features of two screw holes, a pin and a bottom hole, the combination of taper shank with any of the stepped spacer, extension spacer and body, makes a tight lock in the system as it makes a strong interaction; thus, showing a more rigid feature of our modular boring system.

Besides being rigid, the modular boring system is also very flexible. Its flexibility allows the system to easily adapt to process various sizes and depth of the hole of the diameter.

In naming the outer diameter of the taper shank, extension spacer, stepped spacer and boring head, we used the symbol "H" followed by a number, which represents the size of the outer diameter. For instance, H25, wherein in "H" is the symbol while 25 is the value of the outer diameter. Hence, in this series, there are H25, H32, H40, H50, H63, H80 and H100 system.

Large Diameter Modular Boring System

Large diameter modular boring system is also very flexible. Its flexibility allows the system to easily adapt to process various more big sizes and depth of the hole of the diameter. Hence, in this series, there are h100-B72 and h100-AL120 system.



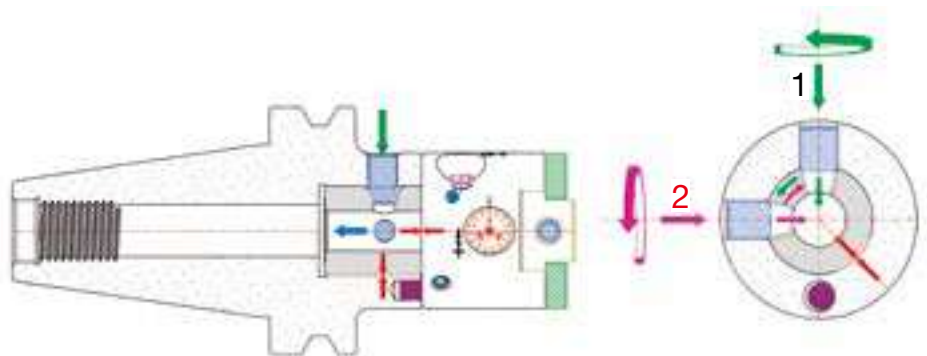




搪孔刀組合於搪孔刀柄用(1)和(2)，兩個相隔90°有斜面的鎖緊螺絲結合，使徑向與軸向和帶動梢緊合密著。
在搪孔大量切削時，切削抵抗直接傳導至主軸與馬達，產生最大的剛性、續削慣性、尺寸穩定。

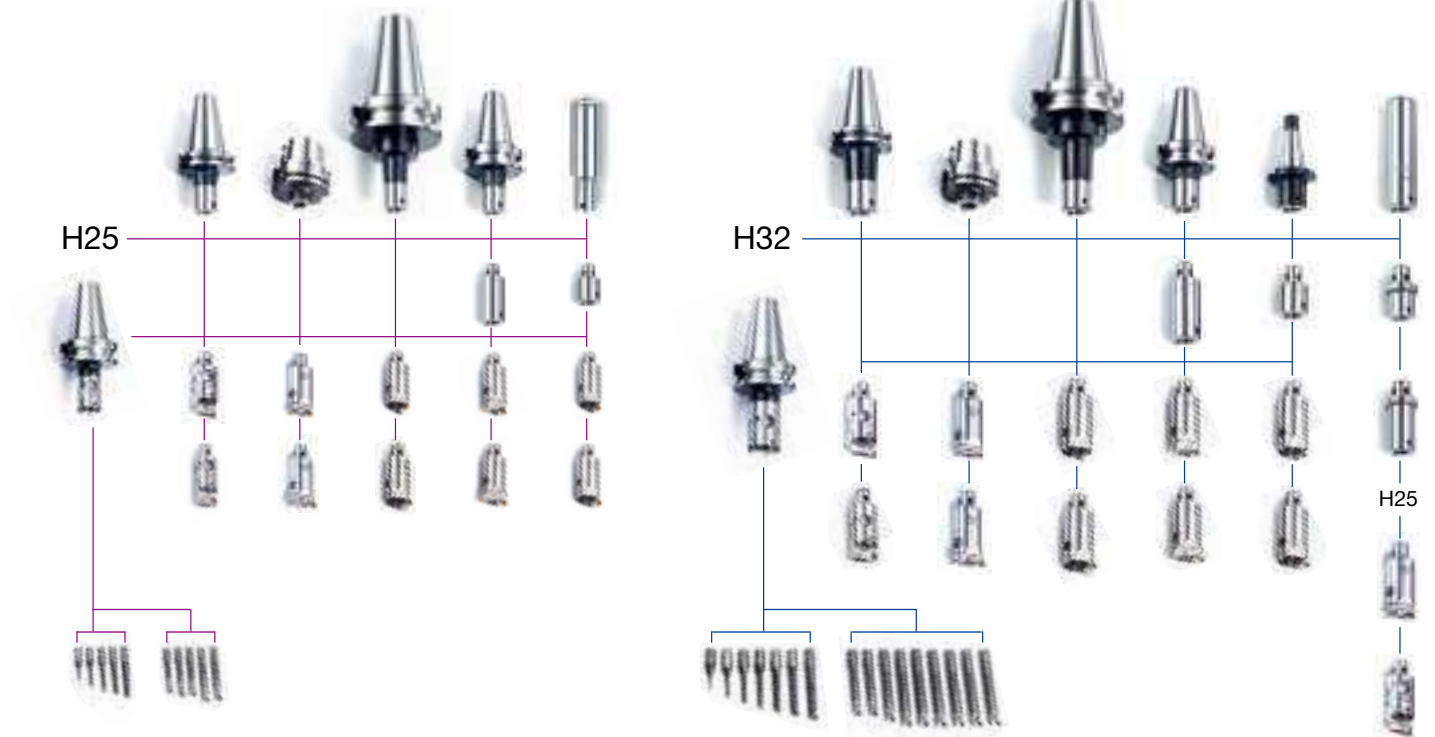
Modular boring system combination taper shank, stepped spacer, extension spacer and the body have two screw holes at a 90 degrees distance on the sides. Except taper shank, the stepped spacer, extension spacer and the body have a pin. A hole can also be found at the bottom of taper shank, stepped spacer and extension spacer. With these features of two screw holes, a pin and a bottom hole, the combination of taper shank with any of the stepped spacer, extension spacer and body, makes a tight lock in the system as it makes a strong interaction.

When boring, the cutting force is conducted to the spindle and motor providing a more rigid, continuous cutting action and dimensional stability.





搪孔組合系統 Modular Boring System



TW Pat.166331

TW Pat.162721

TW Pat.192985

TW Pat.226181

TW Pat.206367

TW Pat.208543

TW Pat.M360098

TW Pat.M407801

TW Pat.M444234

TW Pat.I491457

TW Pat.M501907

TW Pat.M513747

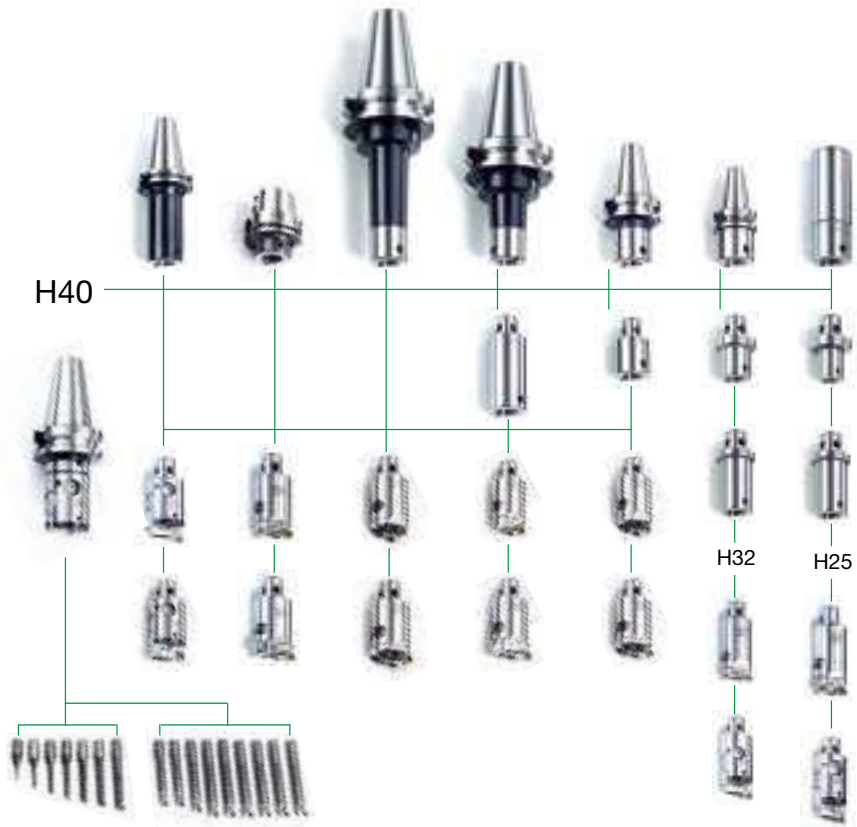
TW Pat.M513076

CN Pat.ZL 02 2 64588.8

CN Pat.ZL 02 2 64589.6

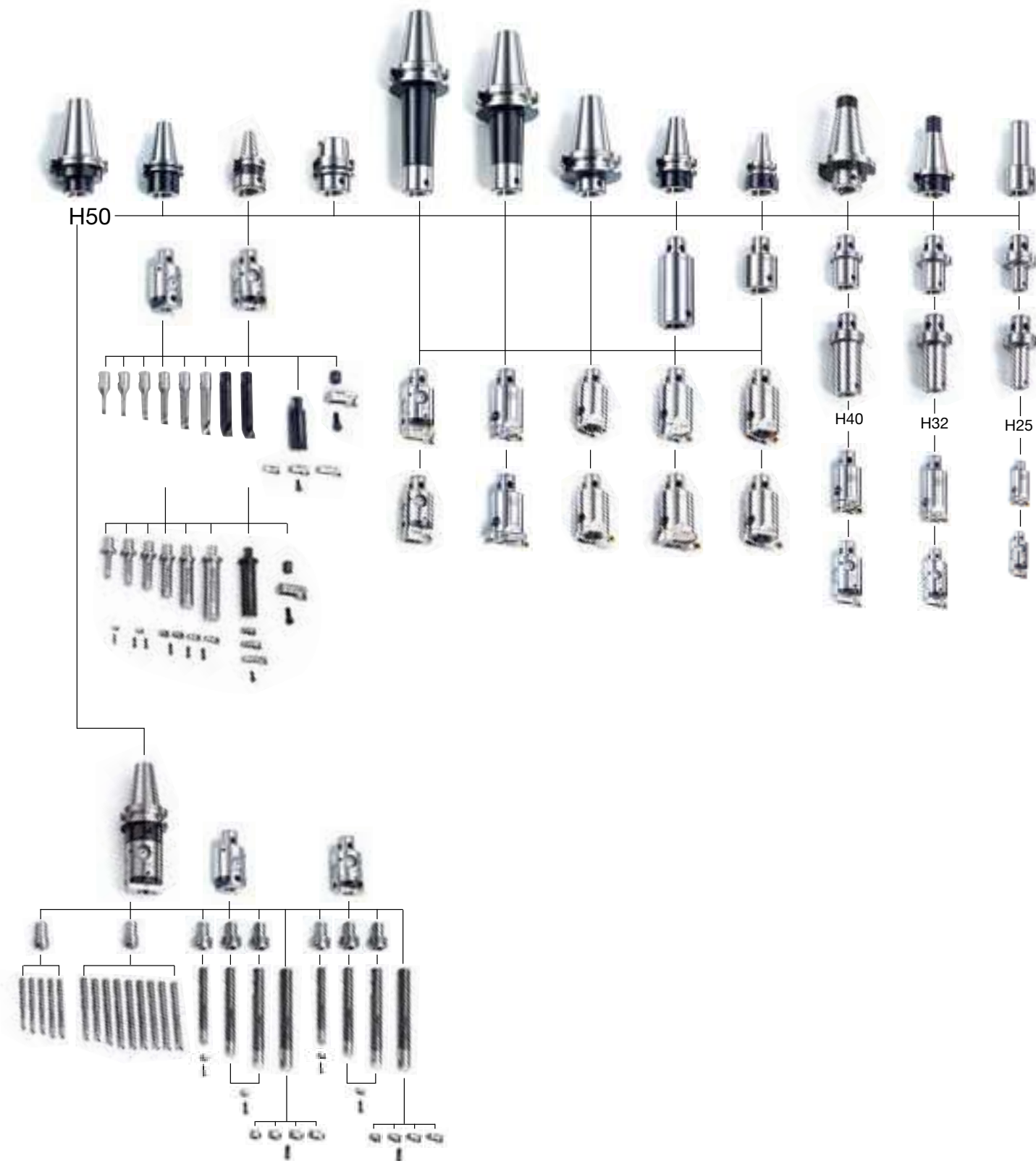
CN Pat.ZL 2010 1 0537456.3

CN Pat.ZL 2015 2 0044685.X



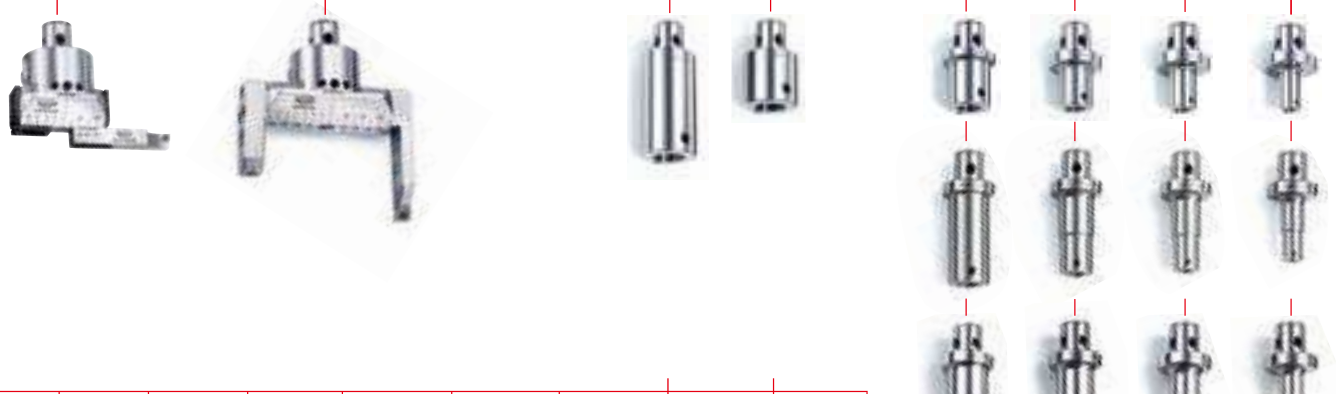
尺寸規格如有變更，恕不另行通知。
 The above specifications are subject to change without prior notice.







H63



H50

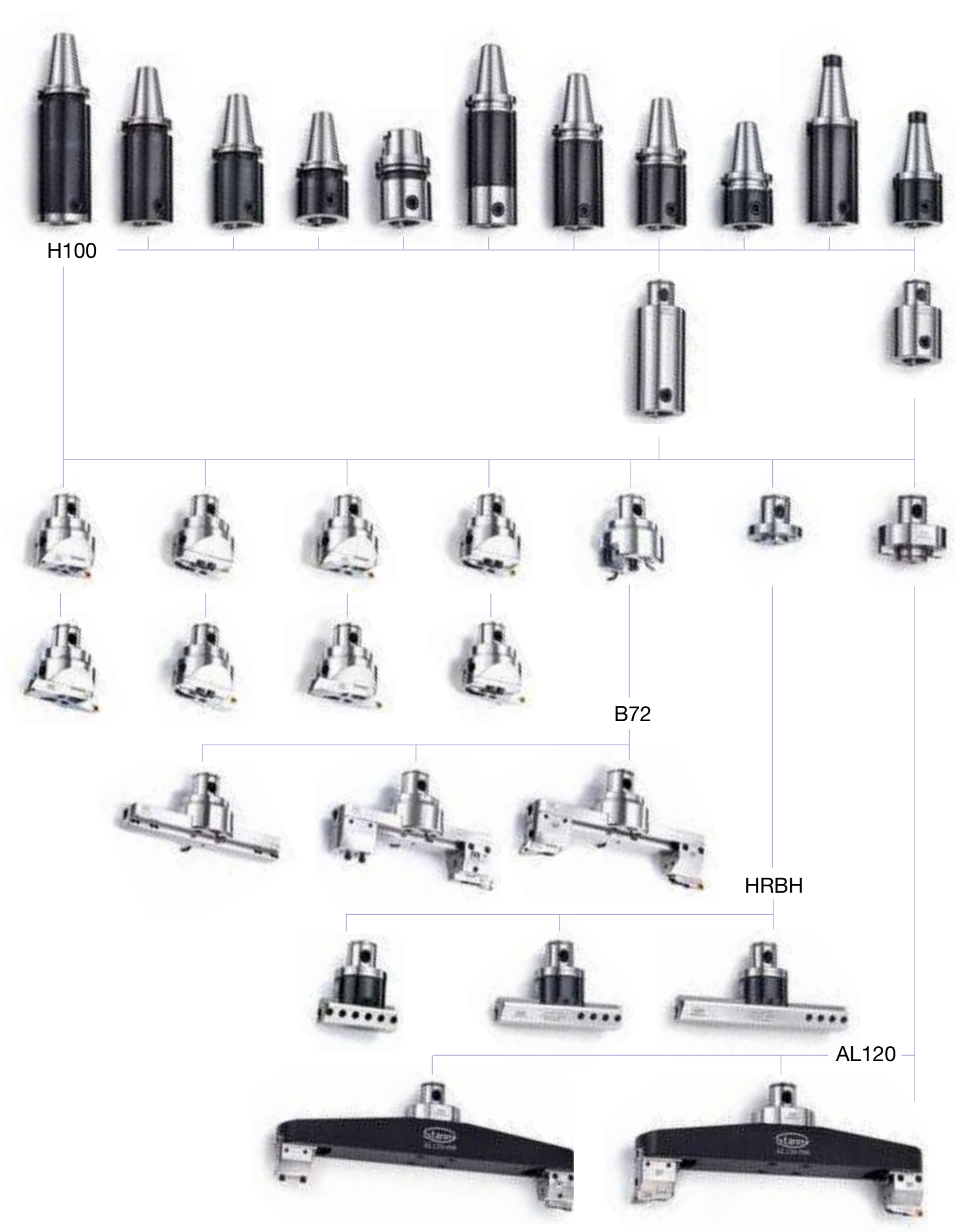
H40

H32

H25







H100

B72

HRBH

AL120





HBIT® 雙刃粗搪孔刀組合系統

功能

粗搪孔刀組合系統，由粗搪孔刀本體組合不同的粗搪孔刀座－各種不同形式的搪孔切削。

- 單刃－搪孔，校正調整單刃(SACC或SBCC)粗搪孔刀座，切削孔徑尺寸－單刃精搪孔。
- 單刃－反搪，校正調整單刃(RKCC)粗搪孔刀座，切削反搪孔孔徑。
- 單刃－45°倒角，校正調整單刃(IWSC)粗搪孔刀座，切削孔徑正反倒角。
- 雙刃－粗搪，校正調整雙刃(SACC + SACC)或(SBCC + SBCC)等高粗搪刀座，切削相同直徑，可快速進給粗搪孔。
- 雙刃－段差粗搪，校正調整雙刃(SACC + SBCC)不等高粗搪刀座，分別切削不同直徑，為較大量切削，分割兩段切削，較容易排屑，為粗搪深孔切削。
- 雙刃－80°粗搪，校正調整雙刃(EMSC)粗搪孔刀座，切削相同直徑。大量切削，降低切削阻力，用於貫穿孔切削。

粗搪孔刀調整粗搪孔刀座尺寸：調整螺絲每迴轉一圈，促使粗搪孔刀座位移尺寸1mm，等同於外部尺寸刻劃線一格，為實際搪孔直徑 \varnothing 2mm。





HBIT® Adjustable Twin Cutter Roughing and Semi-Finishing Boring System. Function

Adjustable twin cutter roughing and semi-finishing boring system can have the following functions:

- a. We can use either SACC or SBCC cutting insert holder.
- b. We can use RKCC cutting insert holder for reverse cutting.
- c. We can use IWSC cutting insert holder for positive and negative 45° chamfer cutting.
- d. We can use two SACC (SACC + SACC) or two SBCC (SBCC + SBCC) cutting insert holders.
Note: Using the same cutting diameters can speed up the feeding of roughing boring & cutting.
- e. We can use two different insert holders SACC + SBCC

Note: Using different height and different cutting diameters is easier for chip removal.

- f. We can use two EMSC (EMSC + EMSC) 80° cutting insert holders, cutting same diameter.

Note: A lot of cutting lower cutting resistance, used for cutting through the hole.

In adjusting the roughing and semi-finishing system, when you rotate the bolt one complete turn, at the side there is a scale or graduation wherein one graduation is equal to 1mm travel, thus, the total boring diameter is $\varnothing 2\text{mm}$.



HBIT® 雙刃粗搪孔刀

特色

雙刃粗搪孔刀，具有齒形組合搪孔刀，極為穩定牢固，在齒形方向調整粗搪孔刀座尺寸，可以使粗搪孔刀座往外前進，也可以使粗搪孔刀座向內後退，自由的前進後退，在刀具設定儀上校正調整粗搪孔刀座切削孔徑尺寸，配合鎖緊刀座螺絲，很容易完成粗搪孔刀座尺寸的調整，結合於搪孔刀柄，極為穩定牢固的粗搪孔刀。

HBIT® Adjustable Twin Cutter Roughing and Semi-Finishing Boring System.

Feature

With the "gear-mat type" feature of adjustable twin-cutter roughing and semi-finishing boring system, it allows the system to move forward and backward freely. This is best for adjusting the diameter in the tool preset as it is easier to set in a shorter time.



HBIT® 雙刃粗搪孔刀

零件

- A. 鎖緊刀座螺絲、彈性墊片
- B. 粗搪孔刀座、鎖緊刀片螺絲
- C. 調整螺帽、雙向螺絲
- D. 粗搪孔刀本體、中心冷卻劑出口
- E. 搪孔刀柄
- F. 延長接桿、縮徑接桿

HBIT® Adjustable Twin Cutter Roughing and Semi-Finishing Boring System.

Components

- A. Cutting Insert Holder Mounting Bolt and Spring Washer
- B. Cutting Insert Holder and Insert Clamping Bolt
- C. Adjusting Nut and Setting Bolt
- D. Body and Coolant Outlet
- E. Taper Shank
- F. Extension Spacer, Stepped Spacer





HBOR® 極細微調精搪孔刀

功能

微調尺寸刻劃環，每一格 $\phi 0.002\text{mm}$ 極為精細的尺寸分割，配合被切削材質選適用的精密級刀片與預設平衡的迴轉切削，使精搪孔孔徑更為精確。

參考刻劃環，每一格 $\phi 0.10\text{mm}$ 為目視參考，當轉動微調尺寸刻劃環分割尺寸極細時，相對帶動參考刻劃環，位移精搪孔刀徑尺寸。齒型滑座外部刻劃線，每一格 $\phi 2\text{mm}$ 。

高速切削搪孔平衡系統”P系列”，組合搪孔刀柄與極細微調精搪孔刀本體，在中心軸線，預設G2.5 12000rpm動平衡，高速旋轉搪孔，依然保持動平衡，使搪孔更精確穩定。

- 在HBOR25P極細微調精搪孔刀本體中的內孔 $\phi 6$ ，可組合CA、CB系列小徑鎢鋼刀桿，使搪孔孔徑範圍為 $\phi 2\sim\phi 7$ ， $\phi 5\sim\phi 7$ 為替換式刀片鎢鋼刀桿。
- 在HBOR32P和HBOR40P極細微調精搪孔刀本體中的內孔 $\phi 8$ ，可組合CA、CB系列小徑鎢鋼刀桿，使搪孔孔徑範圍為 $\phi 2\sim\phi 9$ ， $\phi 7\sim\phi 11$ 為替換式刀片鎢鋼刀桿。
- 在HBOR50P極細微調精搪孔刀本體中的內孔 $\phi 16$ ，可組合CM、CR、BRM系列，可使搪孔孔徑範圍為 $\phi 5\sim\phi 90$ 。
- 在HBOR63P極細微調精搪孔刀本體中的內孔 $\phi 16$ ，可組合CM、CR、BRM系列，可使搪孔孔徑範圍為 $\phi 5\sim\phi 150$ 。
- 在HBOR50和HBOR63極細微調精搪孔刀本體中的內孔 $\phi 16$ ，組合BR系列小徑精搪孔刀桿，使搪孔孔徑範圍為 $\phi 6\sim\phi 90$ 、 $\phi 6\sim\phi 150$ ，更為完整搪孔範圍組合。

在搪外徑系統，主要利用HBOR63極細微調精搪孔刀本體，組合BM16D滑座，並組合各種SLCC/ML(精搪)刀座，切削搪外徑，範圍為 $0\sim\phi 100$ 。

極細微調反搪精搪孔刀，視切削孔徑大小、深淺組合，以反向進給做搪孔或切削背部端面。



HBOR® Micro-Finishing Cutter Fine Boring System.

Function

The boring head consists of a boring dial adjuster and a reference dial, wherein each scale of the boring dial adjuster is equivalent to $2\mu\text{m}$ or 0.002mm . Each marking scale of the reference dial is equal to $\text{ø}100\mu\text{m}$ or 0.10mm .

High speed boring cutting balance system, P series, it has dynamic balance in G2.5 and 12000rpm.

It will increase boring dimension and in high speed cutting it still have dynamic balance.

The inside diameter of HBOR25P micro-finishing cutter fine boring system is $\text{ø}6\text{mm}$. With the combination of CA and CB series, the diameter of HBOR25P can now be within the range of $\text{ø}2\sim\text{ø}7$ and $\text{ø}5\sim\text{ø}7$ respectively.

The inside diameter of HBOR32P and HBOR40P micro-finishing cutter fine boring system is $\text{ø}8\text{mm}$. With the combination of CA and CB series, the diameter of HBOR32P and HBOR40P can now be within the range of $\text{ø}2\sim\text{ø}9$ and $\text{ø}7\sim\text{ø}11$ respectively.

The inside diameter of HBOR50P and HBOR63P micro finish boring system is $\text{ø}16\text{mm}$. With the combination of CM, CR and BRM series, the diameter of HBOR50P and HBOR63P can now be within the range of $\text{ø}5\sim\text{ø}90$ and $\text{ø}5\sim\text{ø}150$ respectively.

The inside diameter of HBOR50 and HBOR63 micro finish boring system is $\text{ø}16\text{mm}$. With the combination of BR series, the diameter of HBOR50 and HBOR63 can now be within the range of $\text{ø}6\sim\text{ø}90$ and $\text{ø}6\sim\text{ø}150$ respectively.

Outer diameter boring system, use HBOR63, BM16D and any kinds of SLCC or ML cutting insert holder then cutting external boring, the boring range $0\sim\text{ø}100$.

Micro-finishing cutter for reverse fine boring system should be assembled well depends on boring diameter and depth, then boring or machining back end with reverse feeding.



HBOR®

極細微調精搪孔刀

特色

極細微調精搪孔刀，具有齒形滑座，嵌入方形滑軌，組合齒形精搪孔刀座可任意位移精搪孔刀座，極為穩定牢固。

齒形滑座，在齒形方向，可以前進也可以後退調整，配合迴轉平衡需求，可使齒形滑座先後退，再組合可位移精搪孔刀座至搪孔刀徑尺寸，為校正迴轉平衡最佳方法。

HBOR® Micro-Finishing Cutter Fine Boring System.

Feature

Micro-finishing cutter fine boring system is a "gear-mat type" slide and is inserted into the square track. This feature enables the boring system to be firmly and tightly locked.

The "gear-mat type" sliding feature of the micro finish boring system allows the system to be adjusted forward and backward to match its desired balance position. Thus, keeping the system firm and stable.





HBOR® 極細微調精搪孔刀

零件

- A. 鎖緊刀座螺絲
- B. 精搪孔刀座、鎖緊刀片螺絲
- C. 精搪孔刀桿、接桿
- D1. 微調尺寸刻劃環，每一格0.001mm
直徑 $\phi 0.002$ mm
- D2. 參考刻劃環，每一格0.05mm，直徑 $\phi 0.1$ mm
- E. 刻劃線，每一格1mm直徑 $\phi 2$ mm
- F. 精搪孔刀本體、中心冷卻劑出口
- G. 搪孔刀柄

HBOR® Micro-Finishing Cutter Fine Boring System.

Components

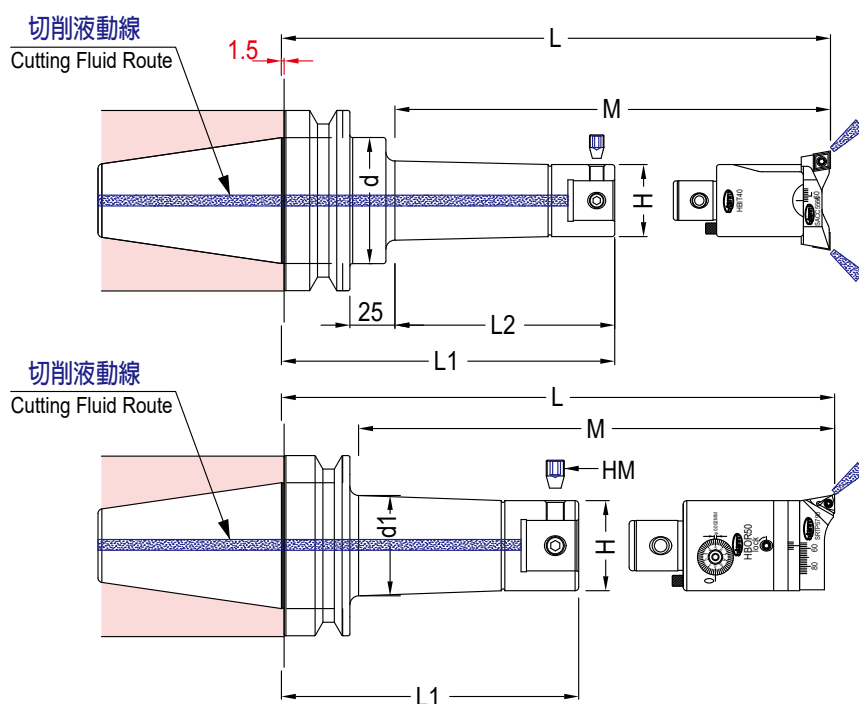
- A. Cutting Insert Holder Mounting Bolt
- B. Cutting Insert Holder and Insert Clamping Bolt
- C. Cutting Bar
- D1. Adjust the Graduation of the size, 0.001mm of each,
diameter $\phi 0.002$ mm
- D2. Vice-graduation, 0.05mm of each, diameter $\phi 0.1$ mm
- E. Substandard, 1mm of each, diameter $\phi 2$ mm
- F. Body and Coolant Outlet
- G. Taper Shank



MAS403 DBT 搪孔刀柄 MAS403 DBT Taper Shank

訂貨編號 Order No.	規 格 Model	H	HM	d	d1	L	L1	L2	M	淨 重 N.W.
40258303	DBT30-H25-35	25	M5×0.5	-	25	85	35	9	60	0.40
40258305	DBT30-H25-55	25	M5×0.5	-	25	105	55	29	75	0.49
40328303	DBT30-H32-35	32	M6×0.75	-	32	98	35	9	75	0.45
40328305	DBT30-H32-55	32	M6×0.75	-	32	118	55	31.5	93	0.54
40408303	DBT30-H40-35	40	M8×0.75	-	40	98	35	14	75	0.45
40408305	DBT30-H40-55	40	M8×0.75	-	40	118	55	32	93	0.63
40508304	DBT30-H50-45	50	M10×1.0	-	50	125	45	23	93	0.57
40638306	DBT30-H63-65	63	M12×1.0	-	63	145	65	43	93	0.91

訂貨編號 Order No.	規 格 Model	H	HM	d	d1	L	L1	L2	M	淨 重 N.W.
40258404	DBT40-H25-40	25	M5×0.5	-	25	90	40	8	60	1.00
40258407	DBT40-H25-72	25	M5×0.5	-	29	122	72	42.5	90	1.12
40258410	DBT40-H25-100	25	M5×0.5	-	29	150	100	71	123	1.24
40258412	DBT40-H25-127	25	M5×0.5	-	29	177	127	98	145	1.38
40328404	DBT40-H32-40	32	M6×0.75	-	32	103	40	8	75	1.00
40328407	DBT40-H32-72	32	M6×0.75	-	36	135	72	41	102	1.20
40328412	DBT40-H32-120	32	M6×0.75	-	36	183	120	89	150	1.55
40328413	DBT40-H32-135	32	M6×0.75	-	36	198	135	104	165	1.66
40408404	DBT40-H40-40	40	M8×0.75	-	40	103	40	11	73	1.05
40408407	DBT40-H40-72	40	M8×0.75	-	44	135	72	42	102	1.31
40408413	DBT40-H40-130	40	M8×0.75	-	44	193	130	99	162	1.95
40408418	DBT40-H40-185	40	M8×0.75	-	44	248	185	154	212	2.52
40508405	DBT40-H50-50	50	M10×1.0	-	50	130	50	22	102	1.15
40508409	DBT40-H50-90	50	M10×1.0	-	56	170	90	60.5	142	1.72
40508413	DBT40-H50-130	50	M10×1.0	-	56	210	130	100.5	182	2.20
40508417	DBT40-H50-170	50	M10×1.0	-	56	250	170	140.5	222	3.07
40638405	DBT40-H63-55	63	M12×1.0	-	63	135	55	28	102	1.24
40638410	DBT40-H63-105	63	M12×1.0	-	63	185	105	78	152	2.45
40638415	DBT40-H63-155	63	M12×1.0	-	63	235	155	128	202	3.54



MAS403 DBT 搪孔刀柄 MAS403 DBT Taper Shank

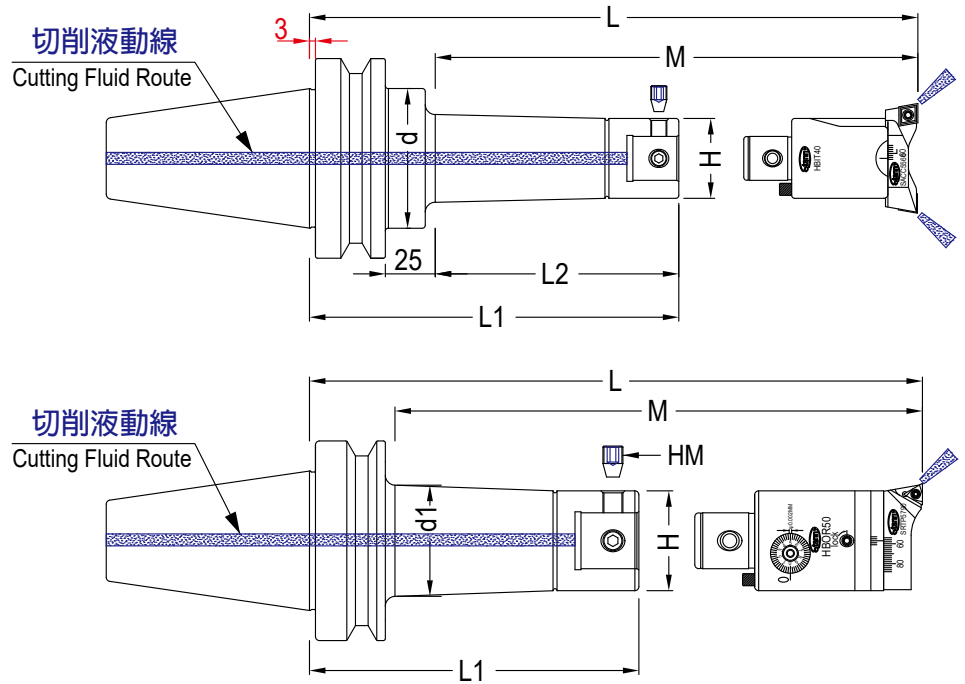
訂貨編號 Order No.	規格 Model	H	HM	d	d1	L	L1	L2	M	淨重 N.W.
40258511	DBT50-H25-115	25	M5×0.5	50	29	165	115	52	102	4.15
40258514	DBT50-H25-140	25	M5×0.5	50	29	190	140	77	127	4.30
40258516	DBT50-H25-165	25	M5×0.5	50	29	215	165	102	152	4.40
40328513	DBT50-H32-135	32	M6×0.75	63	36	198	135	72	135	4.55
40328516	DBT50-H32-165	32	M6×0.75	63	36	228	165	102	165	4.80
40328520	DBT50-H32-200	32	M6×0.75	63	36	263	200	137	200	5.00
40408513	DBT50-H40-135	40	M8×0.75	70	44	198	135	72	135	4.90
40408518	DBT50-H40-185	40	M8×0.75	70	44	248	185	122	185	5.45
40408522	DBT50-H40-225	40	M8×0.75	70	44	288	225	162	225	5.90
40408526	DBT50-H40-265	40	M8×0.75	70	44	328	265	202	265	6.30
40508506	DBT50-H50-65	50	M10×1.0	-	50	145	65	22	102	3.80
40508516	DBT50-H50-165	50	M10×1.0	-	56	245	165	122	202	5.35
40508521	DBT50-H50-215	50	M10×1.0	-	56	295	215	172	252	6.30
40508526	DBT50-H50-265	50	M10×1.0	-	56	345	265	222	302	7.20
40638506	DBT50-H63-65	63	M12×1.0	-	63	145	65	22	102	3.80
40638508	DBT50-H63-85	63	M12×1.0	-	63	165	85	42	122	4.30
40638516	DBT50-H63-165	63	M12×1.0	-	70	245	165	122	202	6.20
40638521	DBT50-H63-215	63	M12×1.0	-	70	295	215	172	252	7.75
40638526	DBT50-H63-265	63	M12×1.0	-	70	345	265	222	302	8.70
40638531-8	DBT50-H63-315 ø80	63	M12×1.0	-	80	395	315	272	352	10.90
40808507	DBT50-H80-70	80	M20×1.5	-	80	150	70	27	102	4.00
40808511	DBT50-H80-115	80	M20×1.5	-	80	195	115	72	152	5.55
40808516	DBT50-H80-165	80	M20×1.5	-	80	245	165	122	202	7.25
40808521	DBT50-H80-215	80	M20×1.5	-	80	295	215	172	252	9.00
40808526	DBT50-H80-265	80	M20×1.5	-	80	345	265	222	302	10.75
40808531	DBT50-H80-315	80	M20×1.5	-	80	395	315	272	352	12.45
41008510	DBT50-H100-100	100	M24×2.0	-	100	200	100	62	-	5.95
41008515	DBT50-H100-150	100	M24×2.0	-	100	250	150	112	-	8.60
41008520	DBT50-H100-200	100	M24×2.0	-	100	300	200	162	-	11.55
41008525	DBT50-H100-250	100	M24×2.0	-	100	350	250	212	-	14.50



MAS403 BT 搪孔刀柄 MAS403 BT Taper Shank

訂貨編號 Order No.	規 格 Model	H	HM	d	d1	L	L1	L2	M	淨 重 N.W.
40251303	BT30-H25-35	25	M5×0.5	-	25	85	35	9	60	0.40
40251305	BT30-H25-55	25	M5×0.5	-	25	105	55	29	75	0.49
40321303	BT30-H32-35	32	M6×0.75	-	32	98	35	9	75	0.45
40321305	BT30-H32-55	32	M6×0.75	-	32	118	55	31.5	93	0.54
40401303	BT30-H40-35	40	M8×0.75	-	40	98	35	14	75	0.45
40401305	BT30-H40-55	40	M8×0.75	-	40	118	55	32	93	0.63
40501304	BT30-H50-45	50	M10×1.0	-	50	125	45	23	93	0.57
40631306	BT30-H63-65	63	M12×1.0	-	63	145	65	43	93	0.91

訂貨編號 Order No.	規 格 Model	H	HM	d	d1	L	L1	L2	M	淨 重 N.W.
40251404	BT40-H25-40	25	M5×0.5	-	25	90	40	8	60	1.00
40251407	BT40-H25-72	25	M5×0.5	-	29	122	72	42.5	90	1.12
40251410	BT40-H25-100	25	M5×0.5	-	29	150	100	71	123	1.24
40251412	BT40-H25-127	25	M5×0.5	-	29	177	127	98	145	1.38
40321404	BT40-H32-40	32	M6×0.75	-	32	103	40	8	75	1.00
40321407	BT40-H32-72	32	M6×0.75	-	36	135	72	41	102	1.20
40321412	BT40-H32-120	32	M6×0.75	-	36	183	120	89	150	1.55
40321413	BT40-H32-135	32	M6×0.75	-	36	198	135	104	165	1.66
40401404	BT40-H40-40	40	M8×0.75	-	40	103	40	11	73	1.05
40401407	BT40-H40-72	40	M8×0.75	-	44	135	72	42	102	1.31
40401413	BT40-H40-130	40	M8×0.75	-	44	193	130	99	162	1.95
40401418	BT40-H40-185	40	M8×0.75	-	44	248	185	154	212	2.52
40501405	BT40-H50-50	50	M10×1.0	-	50	130	50	22	102	1.15
40501409	BT40-H50-90	50	M10×1.0	-	56	170	90	60.5	142	1.72
40501413	BT40-H50-130	50	M10×1.0	-	56	210	130	100.5	182	2.20
40501417	BT40-H50-170	50	M10×1.0	-	56	250	170	140.5	222	3.07
40631405	BT40-H63-55	63	M12×1.0	-	63	135	55	28	102	1.24
40631410	BT40-H63-105	63	M12×1.0	-	63	185	105	78	152	2.45
40631415	BT40-H63-155	63	M12×1.0	-	63	235	155	128	202	3.54



MAS403 BT 搪孔刀柄
MAS403 BT Taper Shank

訂貨編號 Order No.	規 格 Model	H	HM	d	d1	L	L1	L2	M	淨 重 N.W.
40251511	BT50-H25-115	25	M5×0.5	50	29	165	115	52	102	4.15
40251514	BT50-H25-140	25	M5×0.5	50	29	190	140	77	127	4.30
40251516	BT50-H25-165	25	M5×0.5	50	29	215	165	102	152	4.40
40321513	BT50-H32-135	32	M6×0.75	63	36	198	135	72	135	4.55
40321516	BT50-H32-165	32	M6×0.75	63	36	228	165	102	165	4.80
40321520	BT50-H32-200	32	M6×0.75	63	36	263	200	137	200	5.00
40401513	BT50-H40-135	40	M8×0.75	70	44	198	135	72	135	4.90
40401518	BT50-H40-185	40	M8×0.75	70	44	248	185	122	185	5.45
40401522	BT50-H40-225	40	M8×0.75	70	44	288	225	162	225	5.90
40401526	BT50-H40-265	40	M8×0.75	70	44	328	265	202	265	6.30
40501506	BT50-H50-65	50	M10×1.0	-	50	145	65	22	102	3.80
40501516	BT50-H50-165	50	M10×1.0	-	56	245	165	122	202	5.35
40501521	BT50-H50-215	50	M10×1.0	-	56	295	215	172	252	6.30
40501526	BT50-H50-265	50	M10×1.0	-	56	345	265	222	302	7.20
40501526-5	BT50-H50-265 ø50	50	M10×1.0	-	50	345	265	222	302	6.60
40631506	BT50-H63-65	63	M12×1.0	-	63	145	65	22	102	3.80
40631508	BT50-H63-85	63	M12×1.0	-	63	165	85	42	122	4.30
40631516	BT50-H63-165	63	M12×1.0	-	70	245	165	122	202	6.20
40631521	BT50-H63-215	63	M12×1.0	-	70	295	215	172	252	7.75
40631526	BT50-H63-265	63	M12×1.0	-	70	345	265	222	302	8.70
40631531-8	BT50-H63-315 ø80	63	M12×1.0	-	80	395	315	272	352	10.90
40801507	BT50-H80-70	80	M20×1.5	-	80	150	70	27	102	4.00
40801511	BT50-H80-115	80	M20×1.5	-	80	195	115	72	152	5.55
40801516	BT50-H80-165	80	M20×1.5	-	80	245	165	122	202	7.25
40801521	BT50-H80-215	80	M20×1.5	-	80	295	215	172	252	9.00
40801526	BT50-H80-265	80	M20×1.5	-	80	345	265	222	302	10.75
40801531	BT50-H80-315	80	M20×1.5	-	80	395	315	272	352	12.45
41001510	BT50-H100-100	100	M24×2.0	-	100	200	100	62	-	5.95
41001515	BT50-H100-150	100	M24×2.0	-	100	250	150	112	-	8.60
41001520	BT50-H100-200	100	M24×2.0	-	100	300	200	162	-	11.55
41001525	BT50-H100-250	100	M24×2.0	-	100	350	250	212	-	14.50

※庫存售完改DBT系列

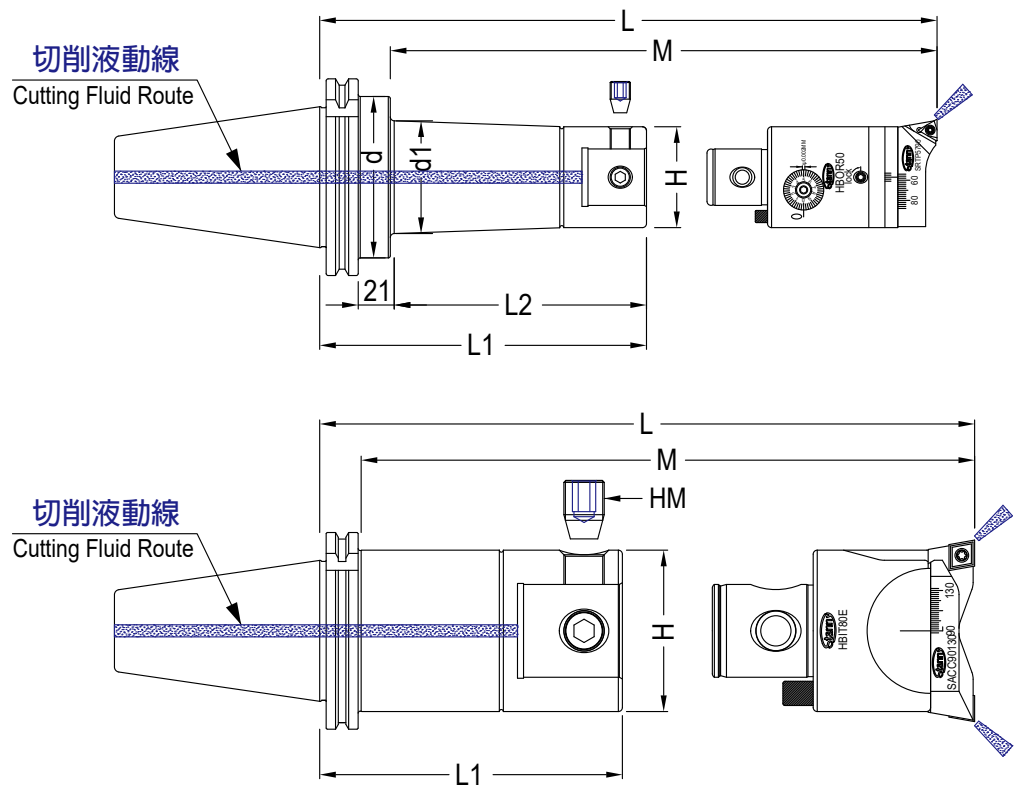
※BT series sold out will change to DBT series.




DIN69871A 搪孔刀柄
DIN69871A Taper Shank

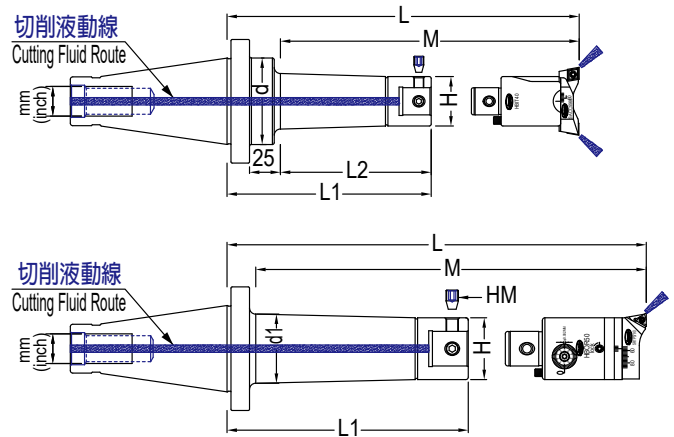
訂貨編號 Order No.	規格 Model	H	HM	d	d1	L	L1	L2	M	淨重 N.W.
40252303	ISO30-H25-30	25	M5×0.5	-	25	80	30	9	60	0.39
40322303	ISO30-H32-35	32	M6×0.75	-	32	98	35	14	75	0.42
40402303	ISO30-H40-35	40	M8×0.75	-	40	98	35	14	75	0.44
40502305	ISO30-H50-55	50	M10×1.0	-	50	135	55	35	112	0.67

訂貨編號 Order No.	規格 Model	H	HM	d	d1	L	L1	L2	M	淨重 N.W.
40252403	ISO40-H25-30	25	M5×0.5	-	25	80	30	10	60	0.83
40252406	ISO40-H25-65	25	M5×0.5	-	28	115	65	41	90	0.96
40252410	ISO40-H25-100	25	M5×0.5	-	29	150	100	79	125	1.15
40322403	ISO40-H32-35	32	M6×0.75	-	32	98	35	15	75	0.86
40322406	ISO40-H32-65	32	M6×0.75	-	35	128	65	42	102	1.05
40322408	ISO40-H32-84	32	M6×0.75	-	36	147	84	61	123	1.15
40322411	ISO40-H32-115	32	M6×0.75	-	36	178	115	92	152	1.40
40402403	ISO40-H40-35	40	M8×0.75	-	40	98	35	15	75	0.88
40402406	ISO40-H40-65	40	M8×0.75	-	43	128	65	43	102	1.17
40402410	ISO40-H40-104	40	M8×0.75	-	44	167	104	82	143	1.50
40402416	ISO40-H40-165	40	M8×0.75	-	44	228	165	143	202	2.12
40502405	ISO40-H50-50	50	M10×1.0	-	50	130	50	30	102	1.08
40502410	ISO40-H50-104	50	M10×1.0	-	50	184	104	84	163	1.81
40502415	ISO40-H50-150	50	M10×1.0	-	50	230	150	130	202	2.47
40632406	ISO40-H63-60	63	M12×1.0	-	63	140	60	40	115	1.23
40632411	ISO40-H63-110	63	M12×1.0	-	63	190	110	90	165	2.32



DIN69871A 搪孔刀柄
DIN69871A Taper Shank

訂貨編號 Order No.	規格 Model	H	HM	d	d1	L	L1	L2	M	淨重 N.W.
40252509	ISO50-H25-92	25	M5×0.5	80	29	142	92	52	102	3.45
40252511	ISO50-H25-117	25	M5×0.5	80	29	167	117	77	127	3.55
40252514	ISO50-H25-142	25	M5×0.5	80	29	192	142	102	152	3.65
40322511	ISO50-H32-112	32	M6×0.75	80	36	175	112	72	135	3.65
40322514	ISO50-H32-144	32	M6×0.75	80	36	207	144	104	165	3.90
40322517	ISO50-H32-176	32	M6×0.75	80	36	239	176	136	200	4.10
40402511	ISO50-H40-112	40	M8×0.75	80	44	175	112	72	135	3.85
40402516	ISO50-H40-162	40	M8×0.75	80	44	225	162	122	185	4.40
40402520	ISO50-H40-202	40	M8×0.75	80	44	265	202	162	225	4.85
40402524	ISO50-H40-242	40	M8×0.75	80	44	305	242	202	265	5.30
40502505	ISO50-H50-50	50	M10×1.0	80	50	130	50	18	98	3.35
40502516	ISO50-H50-162	50	M10×1.0	80	56	242	162	125	202	5.00
40502521	ISO50-H50-212	50	M10×1.0	80	56	292	212	175	252	5.80
40502526	ISO50-H50-262	50	M10×1.0	80	56	342	262	225	302	6.60
40632506	ISO50-H63-65	63	M12×1.0	80	63	145	65	28	108	3.50
40632516	ISO50-H63-162	63	M12×1.0	80	70	242	162	125	202	5.70
40632521	ISO50-H63-212	63	M12×1.0	80	70	292	212	175	252	6.95
40632526	ISO50-H63-262	63	M12×1.0	80	70	342	262	225	302	8.15
40802507	ISO50-H80-70	80	M20×1.5	80	-	150	70	50	125	3.70
40802510	ISO50-H80-100	80	M20×1.5	80	-	180	100	80	152	4.72
40802515	ISO50-H80-150	80	M20×1.5	80	-	230	150	130	202	6.44
40802520	ISO50-H80-200	80	M20×1.5	80	-	280	200	180	252	8.16
40802525	ISO50-H80-250	80	M20×1.5	80	-	330	250	230	302	9.88
40802530	ISO50-H80-300	80	M20×1.5	80	-	380	300	280	352	11.60
41002510	ISO50-H100-100	100	M24×2.0	-	100	200	105	85	-	6.20
41002515	ISO50-H100-150	100	M24×2.0	-	100	250	150	130	-	8.50
41002520	ISO50-H100-200	100	M24×2.0	-	100	300	200	180	-	11.35
41002525	ISO50-H100-250	100	M24×2.0	-	100	350	250	230	-	14.30



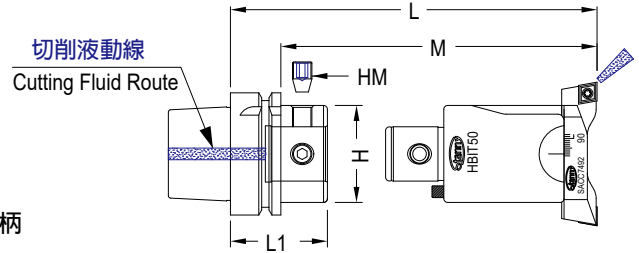
DIN2080 (mm) 搪孔刀柄
DIN2080 (mm) Taper Shank

訂貨編號 Order No.	規格 Model	H	HM	d	d1	L	L1	L2	M	淨重 N.W.
40250304M	ISO30-H25-40	25	M5×0.5	-	25	90	40	22	72	0.40
40320304M	ISO30-H32-40	32	M6×0.75	-	32	103	40	27	90	0.45
40400304M	ISO30-H40-40	40	M8×0.75	-	40	103	40	30	90	0.55
40500305M	ISO30-H50-50	50	M10×1.0	-	50	130	50	42	120	0.75
40630306M	ISO30-H63-60	63	M12×1.0	-	63	140	60	52	130	1.13
40250406M	ISO40-H25-60	25	M5×0.5	-	29	122	60	45	95	0.95
40320406M	ISO40-H32-60	32	M6×0.75	-	37	135	60	42	102	1.03
40400406M	ISO40-H40-60	40	M8×0.75	-	44	135	60	43	102	1.14
40500403M	ISO40-H50-35	50	M10×1.0	-	50	115	35	22	102	0.93
40630405M	ISO40-H63-55	63	M12×1.0	-	63	140	55	42	102	1.40
40250511M	ISO50-H25-115	25	M5×0.5	50	29	165	115	72	122	3.40
40320513M	ISO50-H32-135	32	M6×0.75	63	36	198	135	92	155	3.90
40400516M	ISO50-H40-165	40	M8×0.75	70	45	248	165	122	185	4.60
40500505M	ISO50-H50-50	50	M10×1.0	-	50	130	50	27	102	3.20
40500520M	ISO50-H50-200	50	M10×1.0	-	56	280	200	172	252	5.50
40630506M	ISO50-H63-65	63	M12×1.0	-	63	145	65	37	122	3.50
40630524M	ISO50-H63-245	63	M12×1.0	-	70	325	245	222	302	7.90
40800507M	ISO50-H80-70	80	M20×1.5	-	80	150	70	47	125	3.90
40800521M	ISO50-H80-215	80	M20×1.5	-	80	295	215	192	272	8.90
41000510M	ISO50-H100-100	100	M24×2.0	-	100	200	100	80	-	6.20
41000520M	ISO50-H100-200	100	M24×2.0	-	100	300	200	180	-	11.90

DIN2080 (inch) 搪孔刀柄
DIN2080 (inch) Taper Shank

訂貨編號 Order No.	規格 Model	H	HM	d	d1	L	L1	L2	M	淨重 N.W.
40250304I	ISO30-H25-40	25	M5×0.5	-	25	90	40	22	72	0.40
40320304I	ISO30-H32-40	32	M6×0.75	-	32	103	40	27	90	0.45
40400304I	ISO30-H40-40	40	M8×0.75	-	40	103	40	30	90	0.55
40500305I	ISO30-H50-50	50	M10×1.0	-	50	130	50	42	120	0.75
40630306I	ISO30-H63-60	63	M12×1.0	-	63	140	60	52	130	1.13
40250406I	ISO40-H25-60	25	M5×0.5	-	29	122	60	45	95	0.95
40320406I	ISO40-H32-60	32	M6×0.75	-	37	135	60	42	102	1.03
40400406I	ISO40-H40-60	40	M8×0.75	-	44	135	60	43	102	1.14
40500403I	ISO40-H50-35	50	M10×1.0	-	50	115	35	22	102	0.93
40630405I	ISO40-H63-55	63	M12×1.0	-	63	140	55	42	102	1.40
40250511I	ISO50-H25-115	25	M5×0.5	50	29	165	115	72	122	3.40
40320513I	ISO50-H32-135	32	M6×0.75	63	36	198	135	92	155	3.90
40400516I	ISO50-H40-165	40	M8×0.75	70	45	248	165	122	185	4.60
40500505I	ISO50-H50-50	50	M10×1.0	-	50	130	50	27	102	3.20
40500520I	ISO50-H50-200	50	M10×1.0	-	56	280	200	172	252	5.50
40630506I	ISO50-H63-65	63	M12×1.0	-	63	145	65	37	122	3.50
40630524I	ISO50-H63-245	63	M12×1.0	-	70	325	245	222	302	7.90
40800507I	ISO50-H80-70	80	M20×1.5	-	80	150	70	47	125	3.90
40800521I	ISO50-H80-215	80	M20×1.5	-	80	295	215	192	272	8.90
41000510I	ISO50-H100-100	100	M24×2.0	-	100	200	100	80	-	6.20
41000520I	ISO50-H100-200	100	M24×2.0	-	100	300	200	180	-	11.90

DIN69893A、ANSI、直柄、搪孔刀柄
DIN69893A, ANSI, Straight Shank, Taper Shank for Boring System

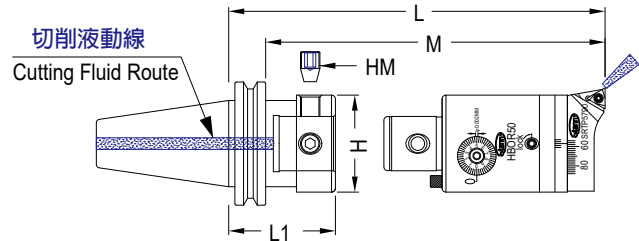


DIN69893A 搪孔刀柄
DIN69893A Shank

訂貨編號 Order No.	規格 Model	H	HM	L	L1	M	淨重 N.W.
40254605	HSK63-H25-50	25	M5×0.5	90	50	70	0.68
40254608	HSK63-H25-85	25	M5×0.5	135	85	102	0.90
※ 40324604	HSK63-H32-40	32	M6×0.75	103	40	75	0.67
40324605	HSK63-H32-50	32	M6×0.75	113	50	85	0.74
40324609	HSK63-H32-95	32	M6×0.75	158	95	126	1.10
※ 40404604	HSK63-H40-45	40	M8×0.75	108	45	80	0.74
40404612	HSK63-H40-120	40	M8×0.75	183	120	152	1.60
40504605	HSK63-H50-57	50	M10×1.0	137	57	110	1.15
40504612	HSK63-H50-120	50	M10×1.0	200	120	172	1.90
40634606	HSK63-H63-67	63	M12×1.0	147	67	102	1.16
40634907	HSK100-H63-75	63	M12×1.0	155	75	122	2.78
40634915	HSK100-H63-155	63	M12×1.0	235	155	200	4.80
40634920	HSK100-H63-205	63	M12×1.0	285	205	250	6.06
40804908	HSK100-H80-80	80	M20×1.5	160	80	130	3.30
40804910	HSK100-H80-100	80	M20×1.5	180	100	150	4.00
40804915	HSK100-H80-155	80	M20×1.5	235	155	202	5.90
40804920	HSK100-H80-205	80	M20×1.5	285	205	252	7.60
41004911	HSK100-H100-115	100	M24×2.0	215	115	170	5.60

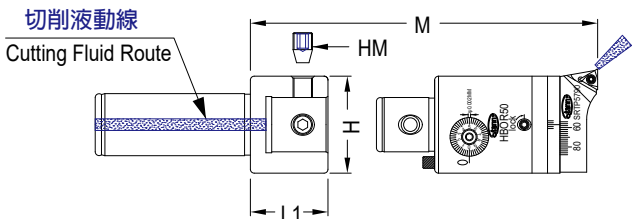
※庫存售完即停售

※ HSK63-H32-40 and HSK63-H40-45 sold out will stop produce.



ANSI 搪孔刀柄
ANSI Taper Shank

訂貨編號 Order No.	規格 Model	H	HM	L	L1	M	淨重 N.W.
40253406	CAT40-H25-63	25	M5×0.5	113	63	90	0.96
40323406	CAT40-H32-63	32	M6×0.75	126	63	102	1.04
40403406	CAT40-H40-63	40	M8×0.75	126	63	102	1.14
40503405	CAT40-H50-55	50	M10×1.0	135	55	102	1.11
40503505	CAT50-H50-50	50	M10×1.0	130	50	102	2.85
40633506	CAT50-H63-65	63	M12×1.0	145	65	122	3.25
40803507	CAT50-H80-70	80	M20×1.5	150	70	125	3.45



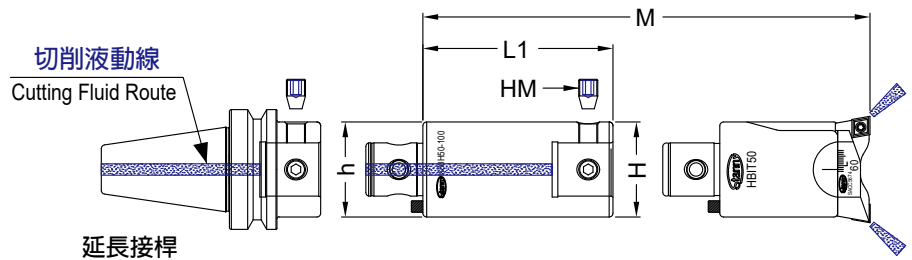
直柄
Straight Shank

訂貨編號 Order No.	規格 Model	C	HM	H	L1	M	淨重 N.W.
40032503	C32-H25-35	32	M5×0.5	25	35	85	0.62
40033204	C32-H32-40	32	M6×0.75	32	40	102	0.67
40034004	C32-H40-40	32	M8×0.75	40	40	102	0.69
40035004	C32-H50-40	32	M10×1.0	50	40	120	0.86
40036305	C32-H63-55	32	M12×1.0	63	55	135	1.41



延長接桿、鎢鋼柄、接桿

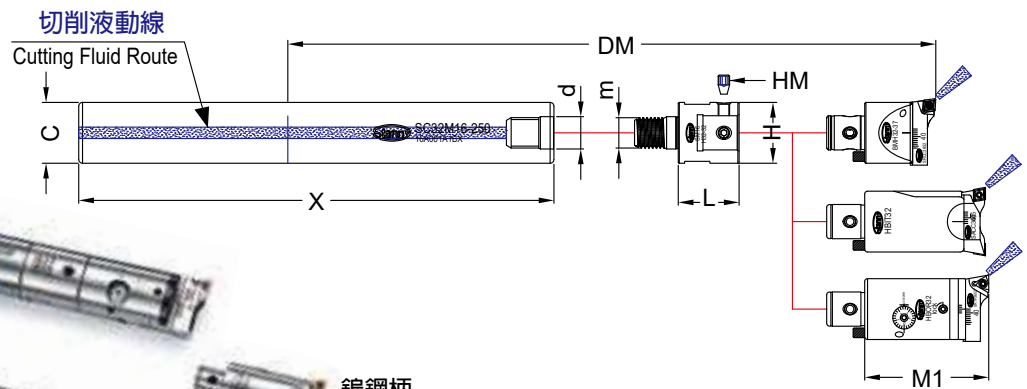
Extension Spacer, Carbide Shank, Shank for Boring System



延長接桿

Extension Spacer

訂貨編號 Order No.	規格 Model	h	H	HM	L1	M	淨重 N.W.
42252502	h25H25-25	25	25	M5×0.5	25	75	0.09
42252505	h25H25-50	25	25	M5×0.5	50	100	0.18
42323203	h32H32-32	32	32	M6×0.75	32	95	0.18
42323206	h32H32-64	32	32	M6×0.75	64	125	0.37
42404004	h40H40-40	40	40	M8×0.75	40	102	0.37
42404008	h40H40-80	40	40	M8×0.75	80	142	0.92
42505005	h50H50-50	50	50	M10×1.0	50	130	0.69
42505010	h50H50-100	50	50	M10×1.0	100	180	1.41
42636306	h63H63-63	63	63	M12×1.0	63	143	1.40
42636312	h63H63-126	63	63	M12×1.0	126	205	2.77
42808008	h80H80-80	80	80	M20×1.5	80	160	2.80
42808016	h80H80-160	80	80	M20×1.5	160	240	5.60
42101010	h100H100-100	100	100	M24×2.0	100	200	5.75
42101020	h100H100-200	100	100	M24×2.0	200	300	11.30



鎢鋼柄

Carbide Shank

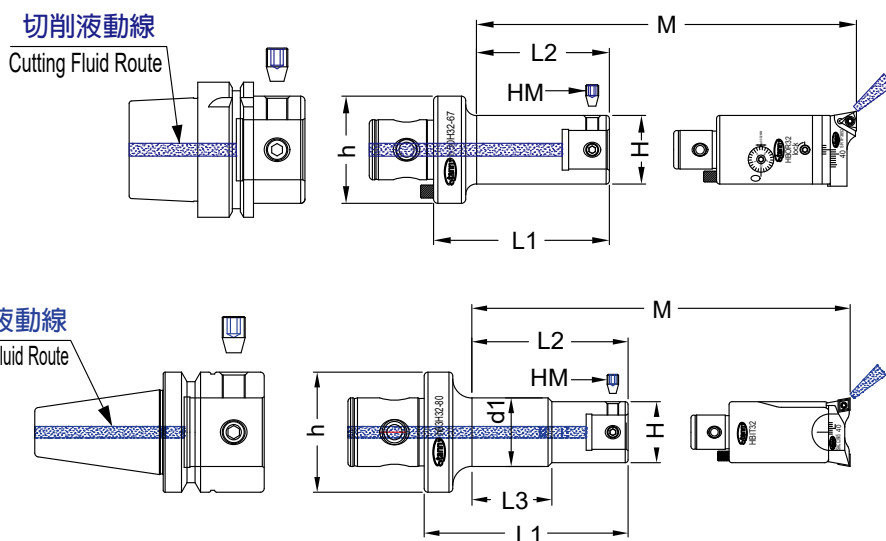
訂貨編號 Order No.	規格 Model	C	X	d	接桿 Shank	淨重 N.W.
45072515	SC25M12-150	25	150	12.5	SM12H25-25	0.93
45072520	SC25M12-200		200			1.26
45072525	SC25M12-250		250			1.58
45072530	SC25M12-300	32	300	17	SM16H32-32	1.91
45073215	SC32M16-150		150			1.50
45073220	SC32M16-200		200			2.05
45073225	SC32M16-250	32	250	17	SM16H32-32	2.59
45073230	SC32M16-300		300			3.15

接桿

Shank

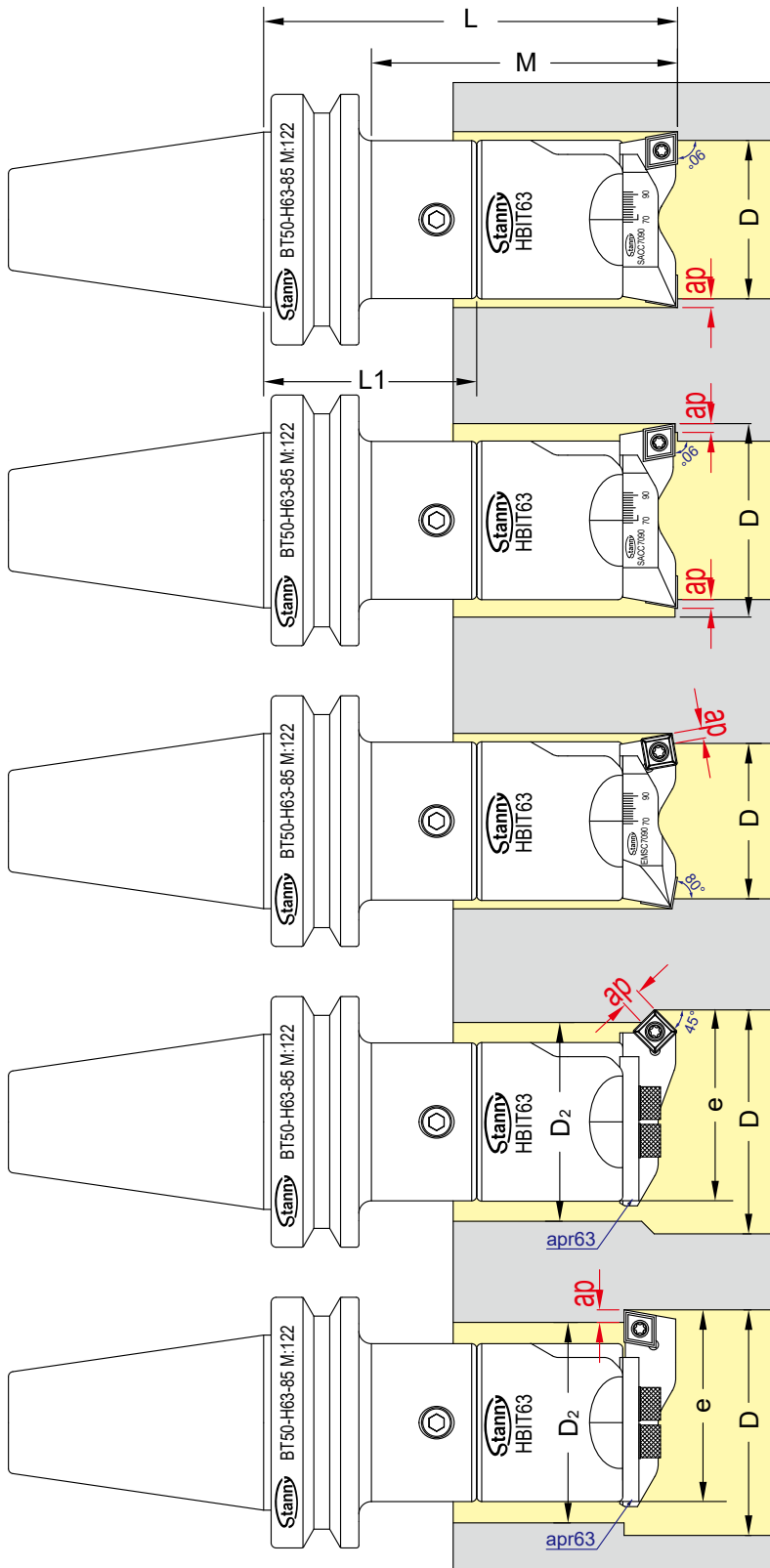
訂貨編號 Order No.	規格 Model	H	HM	m	L	鎢鋼柄 Carbide Shank	M1			深度 DM	淨重 N.W.
							BMH	HBIT	HBOR		
45081225	SM12H25-25	25	M5×0.5	M12	25	SC25M12	30	50	50	175	0.09
45081632	SM16H32-32	32	M6×0.75	M16	32	SC32M16	37	63	63	224	0.18

縮徑接桿 Stepped Spacer for Boring System



縮徑接桿
Stepped Spacer

訂貨編號 Order No.	規格 Model	h	H	HM	d1	L3	L1	L2	M	淨重 N.W.
43322503	h32H25-25	32	25	M5×0.5	-	-	32	23	75	0.14
43322505	h32H25-48	32	25	M5×0.5	-	-	57	48	100	0.22
43402504	h40H25-30	40	25	M5×0.5	-	-	40	28	75	0.24
43402506	h40H25-50	40	25	M5×0.5	-	-	65	53	105	0.33
43403204	h40H32-30	40	32	M6×0.75	-	-	40	28	92	0.28
43403207	h40H32-60	40	32	M6×0.75	-	-	72	60	123	0.46
43502505	h50H25-35	50	25	M5×0.5	-	-	50	30	85	0.44
43502507	h50H25-60	50	25	M5×0.5	-	-	75	55	110	0.53
43503205	h50H32-35	50	32	M6×0.75	-	-	50	30	98	0.45
43503208	h50H32-67	50	32	M6×0.75	-	-	82	62	130	0.64
43504005	h50H40-35	50	40	M8×0.75	-	-	50	33	98	0.55
43504009	h50H40-75	50	40	M8×0.75	-	-	90	73	138	1.10
43632506	h63H25-40	63	25	M5×0.5	-	-	63	38	90	0.73
43632509	h63H25-70	63	25	M5×0.5	29	34	93	68	120	0.84
43632511	h63H25-90	63	25	M5×0.5	29	44	113	88	140	0.91
43633206	h63H32-40	63	32	M6×0.75	-	-	63	38	102	0.83
43633210	h63H32-80	63	32	M6×0.75	36	42	107	82	145	1.08
43633212	h63H32-100	63	32	M6×0.75	36	52	127	102	165	1.21
43634006	h63H40-40	63	40	M8×0.75	-	-	63	40	102	0.94
43634011	h63H40-90	63	40	M8×0.75	44	45	113	90	153	1.64
43634014	h63H40-120	63	40	M8×0.75	44	60	143	120	183	2.04
43635006	h63H50-40	63	50	M10×1.0	-	-	63	44	120	1.09
43635012	h63H50-100	63	50	M10×1.0	-	-	123	104	180	1.95
43635016	h63H50-140	63	50	M10×1.0	-	-	163	144	220	2.53
43802508	h80H25-50	80	25	M5×0.5	-	-	80	50	100	1.45
43802511	h80H25-80	80	25	M5×0.5	29	40	110	80	130	1.60
43802513	h80H25-100	80	25	M5×0.5	29	50	130	100	150	1.70
43803208	h80H32-50	80	32	M6×0.75	-	-	80	50	112	1.55
43803212	h80H32-90	80	32	M6×0.75	36	45	120	90	150	1.85
43803214	h80H32-115	80	32	M6×0.75	36	60	145	115	175	2.05
43804008	h80H40-50	80	40	M8×0.75	-	-	80	50	112	1.70
43804013	h80H40-100	80	40	M8×0.75	44	50	130	100	162	2.20
43804016	h80H40-130	80	40	M8×0.75	44	70	160	130	190	2.50
43805008	h80H50-50	80	50	M10×1.0	-	-	80	50	130	1.95
43805015	h80H50-120	80	50	M10×1.0	55	60	150	120	200	3.10
43805018	h80H50-150	80	50	M10×1.0	55	80	180	150	230	3.55
43806308	h80H63-60	80	63	M12×1.0	-	-	80	60	140	2.30
43806316	h80H63-140	80	63	M12×1.0	-	-	160	140	220	4.05
43806320	h80H63-186	80	63	M12×1.0	-	-	206	186	265	5.05



雙刃一粗搪

SACC and SACC Cutting Insert Holders

HBIT-AA

雙刃一段差粗搪

SACC and SBCC Cutting Insert Holders

HBIT-AB

雙刃一80°粗搪

EMSC and EMSC 80° Cutting Insert Holders

HBIT-MM

單刃一45°正反倒角

IWSC Positive and Negative 45° Chamfer Cutting Insert Holder and Apron

HBIT-AW

下刀徑

$D_2 > e$

$D_2 \times 2 - D > \text{HBIT } _$

單刃一反搪孔

RKCC Reverse Cutting Insert Holder and Apron

HBIT-AK

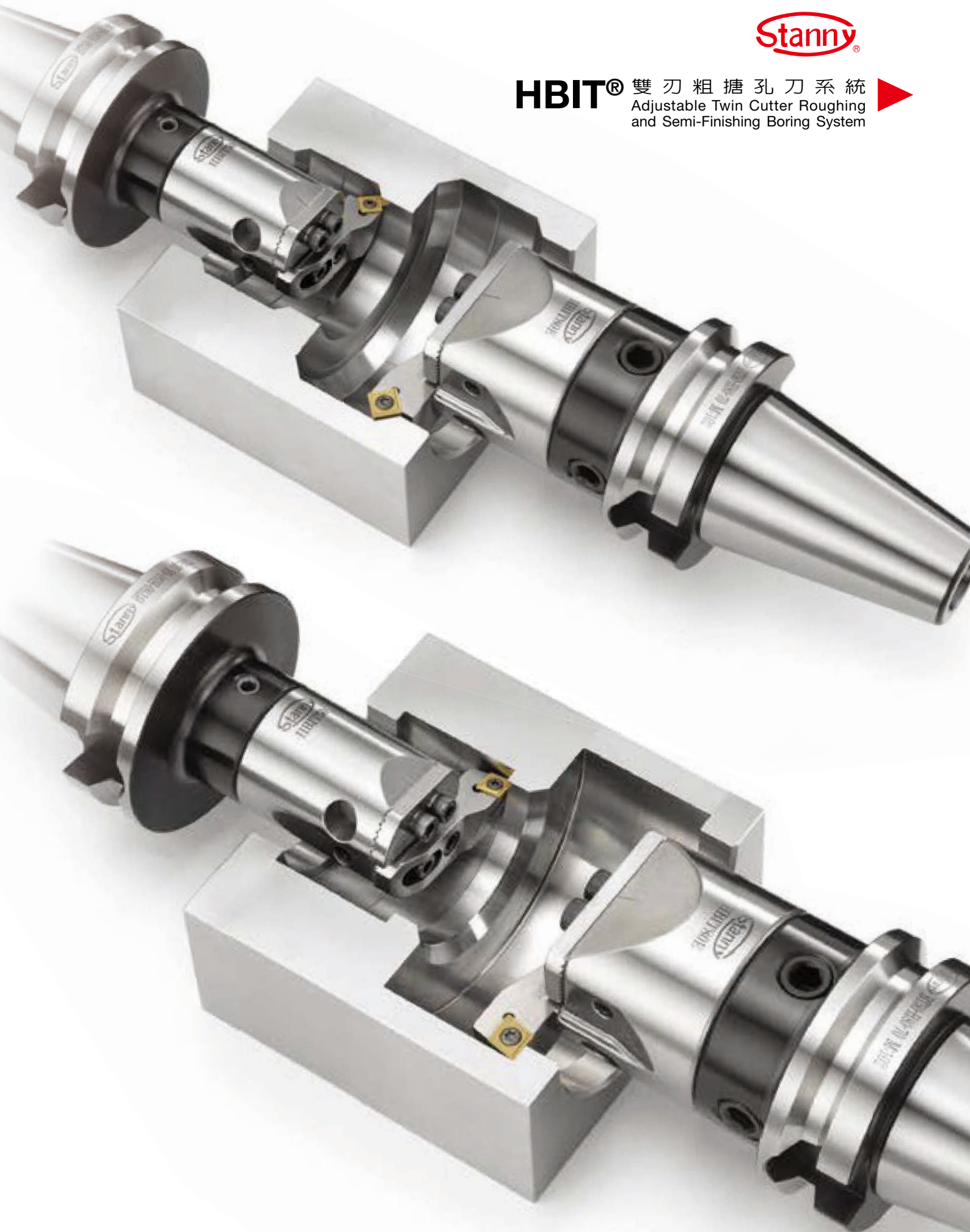
下刀徑

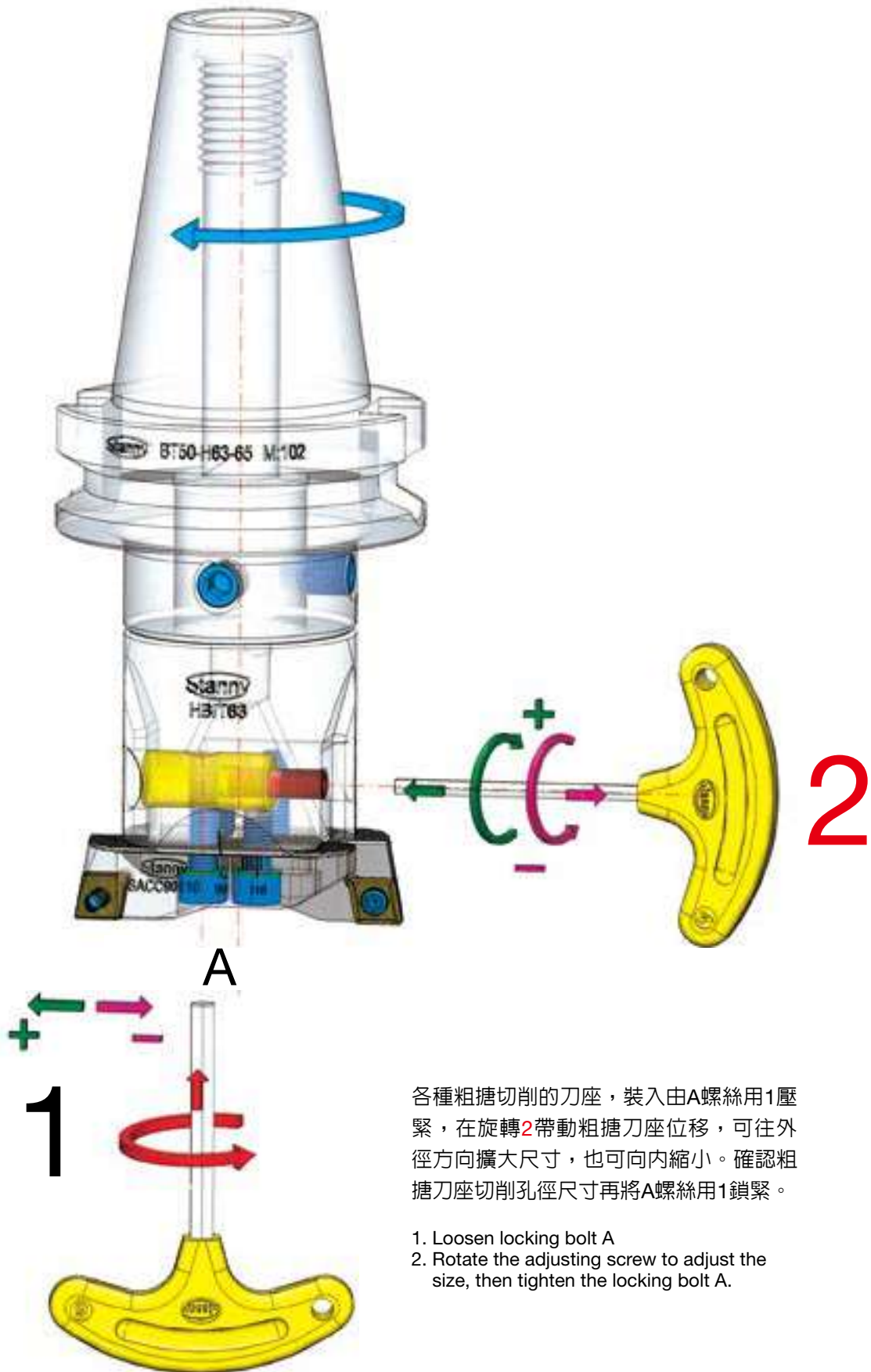
$D_2 > e$

$D_2 \times 2 - D > \text{HBIT } _$



HBIT® 雙刃粗搪孔刀系統
Adjustable Twin Cutter Roughing
and Semi-Finishing Boring System

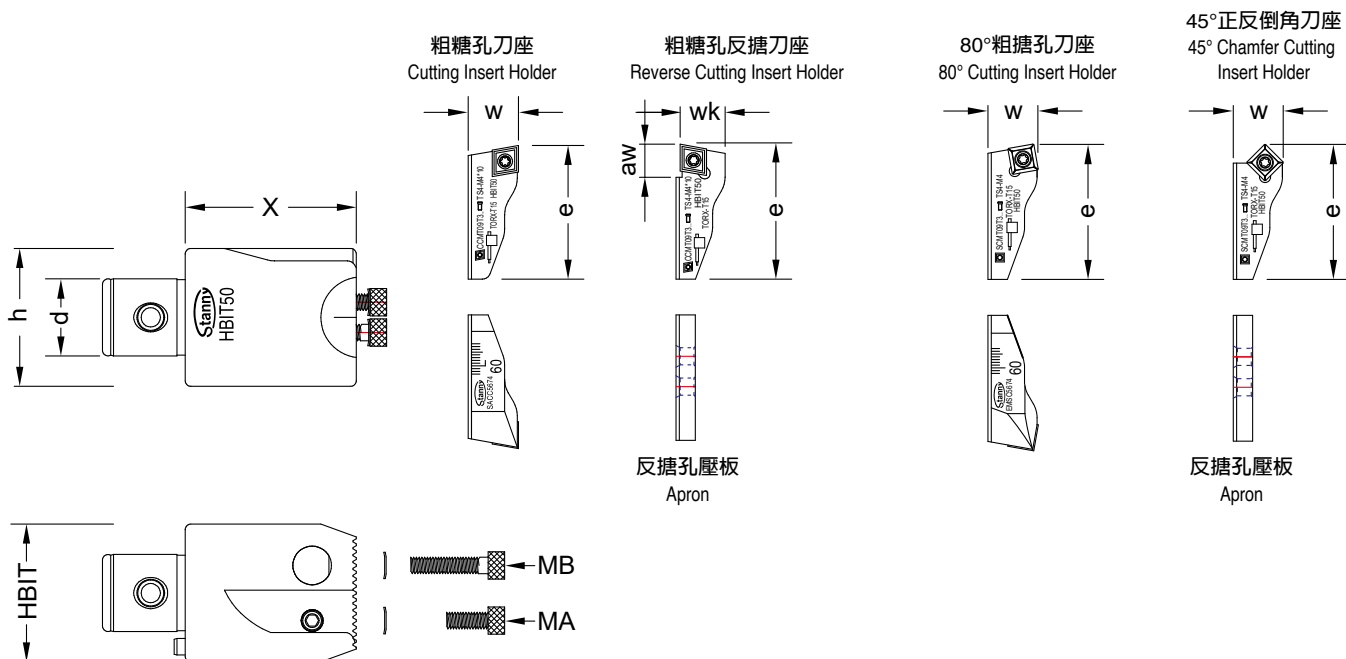




各種粗搪切削的刀座，裝入由A螺絲用1壓緊，在旋轉2帶動粗搪刀座位移，可往外徑方向擴大尺寸，也可向內縮小。確認粗搪刀座切削孔徑尺寸再將A螺絲用1鎖緊。

1. Loosen locking bolt A
2. Rotate the adjusting screw to adjust the size, then tighten the locking bolt A.

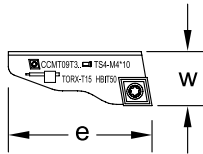
粗搪孔刀本體 Body



HBIT 雙刃粗搪孔刀-本體
Body for HBIT Adjustable Twin Cutter Roughing

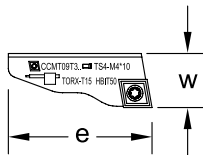
訂貨編號 Order No.	規格 Model	系統 h	d	X	MA Bolt	MB Bolt	淨重 N.W.
31000025	HBIT25	25	14	40	M4×10	M4×18	0.15
31000032	HBIT32	32	18	50	M5×10	M5×20	0.33
31000040	HBIT40	40	22	48	M6×12	M6×20	0.48
31000050	HBIT50	50	28	62	M6×14	M6×25	0.96
31000063	HBIT63	63	36	58	M8×16	M8×30	1.54
31000080	HBIT80	63	36	58	M8×16	M8×30	1.96
31000080E	HBIT80E	80	46	58	M8×16	M8×30	2.42
31000120E	HBIT120E	80	46	50	M10×20	M10×40	3.80
31000120	HBIT120	100	56	73	M10×20	M10×40	5.85





HBIT 粗搪孔刀座 Cutting Insert Holder for HBIT Adjustable Twin Cutter Roughing

訂貨編號 Order No.	較高粗搪孔刀座 Cutting Insert Holder	系統 System	範圍 D Boring Range øDMin-øDMax	W	e	刀片 Insert	搪孔量 ap	螺絲 Bolt	板手 Wrench	淨重 N.W.	
30252936A	SACC2936	HBIT25	29-36	12.1	25.9	CCMT0602..	0.5-1	TS25-	T8	0.01	
30253542A	SACC3542		35-42		30.6		1-3			M2.5	0.02
30323645A	SACC3645		36-45		32						0.02
30324453A	SACC4453	HBIT32	44-53	16	40	0.5-1	TS4-	T15	0.02		
30404556A	SACC4556		45-56		46.5				0.04		
30405566A	SACC5566	HBIT40	55-66	17.9	49	1-4	M4		0.05		
30505674A	SACC5674		56-74		61				0.07		
30507492A	SACC7492	HBIT50	74-92	23.1	62				0.09		
30637090A	SACC7090		70-90		78.5				0.13		
30639011A	SACC90110	HBIT63	90-110	25.1	80.5	0.5-1	TS5-	T25	0.18		
30809013A	SACC90130		90-130		100.5				0.18		
30813017A	SACC130170	HBIT80 HBIT80E	130-170	27.9	119.5	1-5	M5		0.24		
30817021A	SACC170210		170-210		125				0.34		
30912013A	SACC130190	HBIT120E HBIT120	130-190	29.7	139.5				0.41		
30912017A	SACC170230		170-230		166.5				0.52		
30912021A	SACC210270		210-270		186.5				0.69		
30912025A	SACC250310		250-310						0.79		

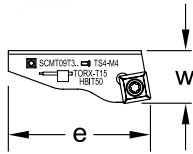


HBIT 粗搪孔刀座 Cutting Insert Holder for HBIT Adjustable Twin Cutter Roughing

訂貨編號 Order No.	較低粗搪孔刀座 Cutting Insert Holder	系統 System	範圍 D Boring Range øDMin-øDMax	W	e	刀片 Insert	搪孔量 ap	螺絲 Bolt	板手 Wrench	淨重 N.W.	
30252936B	SBCC2936	HBIT25	29-36	11.8	25.9	CCMT0602..	0.5-1	TS25-	T8	0.01	
30253542B	SBCC3542		35-42		30.6		1-3			M2.5	0.02
30323645B	SBCC3645		36-45		32						0.02
30324453B	SBCC4453	HBIT32	44-53	15.6	40	0.5-1	TS4-	T15	0.02		
30404556B	SBCC4556		45-56		46.5				0.04		
30405566B	SBCC5566	HBIT40	55-66	17.5	49	1-4	M4		0.05		
30505674B	SBCC5674		56-74		61				0.07		
30507492B	SBCC7492	HBIT50	74-92	22.7	62				0.09		
30637090B	SBCC7090		70-90		78.5				0.13		
30639011B	SBCC90110	HBIT63	90-110	24.7	80.5	0.5-1	TS5-	T25	0.18		
30809013B	SBCC90130		90-130		100.5				0.18		
30813017B	SBCC130170	HBIT80 HBIT80E	130-170	27.5	119.5	1-5	M5		0.24		
30817021B	SBCC170210		170-210		125				0.33		
30912013B	SBCC130190	HBIT120E HBIT120	130-190	29.3	139.5				0.40		
30912017B	SBCC170230		170-230		166.5				0.51		
30912021B	SBCC210270		210-270		186.5				0.68		
30912025B	SBCC250310		250-310						0.78		

備註：SACC刀座和SBCC刀座差別於(W).

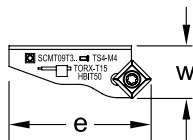
PS. The difference of SACC Cutting Insert Holder and SBCC Cutting Insert Holder is the height(W).



HBIT 80°粗搪孔刀座

80° Cutting Insert Holder for HBIT Adjustable Twin Cutter Roughing

訂貨編號 Order No.	80°粗搪孔刀座 80° Cutting Insert Holder	系統 System	範圍 D Boring Range øDMin-øDMax	W	e	刀片 Insert	搪孔量 ap	螺絲 Bolt	板手 Wrench	淨重 N.W.
30252936M	EMSC2936	HBIT25	29-36	12.4	25.9	SCET0602..	0.5-1	TS25-	T8	0.01
30253542M	EMSC3542		35-42		30.6		1-3			M2.5
30323645M	EMSC3645	HBIT32	36-45	16	32	SCMT09T3..	0.5-1	TS4-	T15	0.01
30324453M	EMSC4453		44-53		38					0.02
30404556M	EMSC4556	HBIT40	45-56	18.3	40	SCMT09T3..	1-4	M4	T15	0.03
30405566M	EMSC5566		55-66		46.5					0.04
30505674M	EMSC5674	HBIT50	56-74	23.1	49	SCMT1204..	0.5-1	TS5-	T25	0.06
30507492M	EMSC7492		74-92		62					0.09
30637090M	EMSC7090	HBIT63	70-90	27.8	61	SCMT1204..	1-5	M5	T25	0.12
30639011M	EMSC90110		90-110		78.5					0.18
30809013M	EMSC90130	HBIT80	90-130	27.8	80.5	SCMT1204..	1-5	M5	T25	0.17
30813017M	EMSC130170	HBIT80E	130-170		100.5					0.23
30912013M	EMSC130190	HBIT120E	130-190	27.8	119.5	SCMT1204..	1-5	M5	T25	0.41
30912017M	EMSC170230	HBIT120	170-230		139.5					0.52

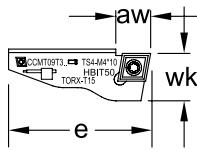


HBIT 45°正反倒角粗搪孔刀座

45° Chamfer Cutting Insert Holder for HBIT Adjustable Single Cutter Roughing

訂貨編號 Order No.	45°正反倒角刀座 45° Chamfer Cutting Insert Holder	系統 System	範圍 D Boring Range øDMin-øDMax	W	e	刀片 Insert	搪孔量 ap	螺絲 Bolt	板手 Wrench	淨重 N.W.
30252936W	IWSC2936	HBIT25	29-36	12.4	25.9	SCET0602..	0.5-1	TS25-	T8	0.01
30253542W	IWSC3542		35-42		30.6		1-3			M2.5
30323645W	IWSC3645	HBIT32	36-45	16	32	SCMT09T3..	0.5-1	TS4-	T15	0.01
30324453W	IWSC4453		44-53		38					0.02
30404556W	IWSC4556	HBIT40	45-56	18.3	40	SCMT09T3..	1-4	M4	T15	0.03
30405566W	IWSC5566		55-66		46.5					0.04
30505674W	IWSC5674	HBIT50	56-74	23.1	49	SCMT1204..	0.5-1	TS5-	T25	0.06
30507492W	IWSC7492		74-92		62					0.09
30637090W	IWSC7090	HBIT63	70-90	27.8	61	SCMT1204..	1-5	M5	T25	0.11
30639011W	IWSC90110		90-110		78.5					0.17
30809013W	IWSC90130	HBIT80	90-130	27.8	80.5	SCMT1204..	1-5	M5	T25	0.16
30813017W	IWSC130170	HBIT80E	130-170		100.5					0.22
30912013W	IWSC130190	HBIT120E	130-190	27.8	119.5	SCMT1204..	1-5	M5	T25	0.39
30912017W	IWSC170230	HBIT120	170-230		139.5					0.50





HBIT 粗搪孔反搪刀座 Reverse Cutting Insert Holder for HBIT Adjustable Single Cutter Roughing

訂貨編號 Order No.	粗搪孔反搪刀座 Reverse Cutting Insert Holder	系統 System	範圍 D Boring Range øDMin-øDMax	壓板 Apron	aw	wk	e	刀片 Insert	搪孔量 ap	螺絲 Bolt	板手 Wrench	淨重 N.W.
30252936K	RKCC2936	HBIT25	29-36	apr25	4	11	25	CCMT0602..	0.5-1	TS25-	T8	0.01
30253542K	RKCC3542		35-42		7		30					0.01
30254148K	RKCC4148		41-48		10.2		33.6					0.01
30254754K	RKCC4754		47-54		13.2		36.6					0.02
30323645K	RKCC3645		36-45		5		32					0.01
30324453K	RKCC4453	HBIT32	44-53	apr32	9	17	38	CCMT09T3..	1-3	M2.5	T8	0.02
30325362K	RKCC5362		53-62		14.3		42.5					0.02
30326170K	RKCC6170		61-70		18.3		46.5					0.03
30404556K	RKCC4556		45-56		9		40					0.03
30405566K	RKCC5566		55-66		10		46.5					0.04
30406576K	RKCC6576	HBIT40	65-76	apr40	14	17	51.5	CCMT1204..	0.5-1	TS4-	T15	0.06
30407586K	RKCC7586		75-86		19		56.5					0.06
30408596K	RKCC8596		85-96		24		61.5					0.07
30505674K	RKCC5674		56-74		11		48.5					0.06
30507492K	RKCC7492		74-92		17		62					0.09
30509211K	RKCC92110	HBIT50	92-110	apr50	24.5	19	71	CCMT1204..	1-4	M4	T15	0.13
30501112K	RKCC110128		110-128		28.5		80					0.15
30501214K	RKCC128146		128-146		24.5		89					0.17
30637090K	RKCC7090		70-90		12		60					0.11
30639011K	RKCC90110		90-110		22		78					0.17
30631113K	RKCC110130	HBIT63	110-130	apr63	25	23	90	CCMT1204..	0.5-1	TS5-	T25	0.24
30631315K	RKCC130150		130-150		25		100					0.28
30631517K	RKCC150170		150-170		25		110					0.33
30809013K	RKCC90130		90-130		24		79.5					0.16
30813017K	RKCC130170		130-170		44		99.5					0.22
30817021K	RKCC170210	HBIT80E	170-210	apr80	45	23	125	CCMT1204..	1-5	M5	T25	0.36
30912013K	RKCC130190		130-190		34		119.5					0.39
30912017K	RKCC170230		170-230		54		139.5					0.50
30912021K	RKCC210270		210-270		54.5		166.5					0.68
30912025K	RKCC250310		250-310		54.5		186.5					0.77

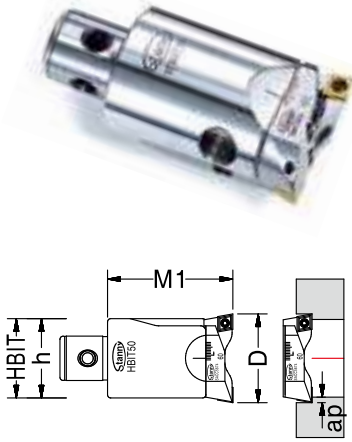
HBIT 反搪孔壓板 Apron for HBIT Adjustable Single Cutter Roughing

訂貨編號 Order No.	規格 Model	系統 System	淨重 N.W.
30002525	apr25	HBIT25	0.01
30003232	apr32	HBIT32	0.01
30004040	apr40	HBIT40	0.02
30005050	apr50	HBIT50	0.04
30006363	apr63	HBIT63	0.07
30008080	apr80	HBIT80 HBIT80E	0.09
30012012	apr120	HBIT120E HBIT120	0.24



等高粗搪頭系統組合(雙刃等高切削相同直徑)

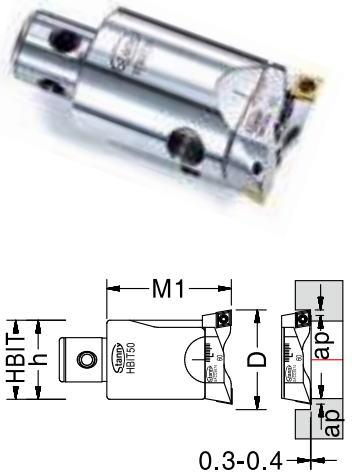
SACC and SACC Cutting Insert Holders have the same Cutting Diameter and Height.



訂貨編號 Order No.	規格 Model	範圍 D Boring Range øDMin-DMax	M1	h	粗搪孔刀本體 Boring Head	粗搪孔刀座 Cutting Insert Holder	淨重 N.W.	
32290000AA	HBIT25 AA	29-36	50	25	HBIT25	SACC2936	SACC2936	0.17
32350000AA	HBIT25 AA	35-42				SACC3542	SACC3542	0.19
33360000AA	HBIT32 AA	36-45	63	32	HBIT32	SACC3645	SACC3645	0.37
33440000AA	HBIT32 AA	44-53				SACC4453	SACC4453	0.37
34450000AA	HBIT40 AA	45-56	63	40	HBIT40	SACC4556	SACC4556	0.56
34550000AA	HBIT40 AA	55-66				SACC5566	SACC5566	0.58
35560000AA	HBIT50 AA	56-74	80	50	HBIT50	SACC5674	SACC5674	1.10
35740000AA	HBIT50 AA	74-92				SACC7492	SACC7492	1.14
36700000AA	HBIT63 AA	70-90	80	63	HBIT63	SACC7090	SACC7090	1.78
36900000AA	HBIT63 AA	90-110				SACC90110	SACC90110	1.90
38900000AA	HBIT80 AA	90-130	82	63	HBIT80	SACC90130	SACC90130	2.30
38910000AA	HBIT80 AA	130-170				SACC130170	SACC130170	2.44
38920000AA	HBIT80 AA	170-210	82	80	HBIT80E	SACC170210	SACC170210	2.64
38900000EAA	HBIT80E AA	90-130				SACC90130	SACC90130	2.76
38910000EAA	HBIT80E AA	130-170	82	80	HBIT80E	SACC130170	SACC130170	2.90
38920000EAA	HBIT80E AA	170-210				SACC170210	SACC170210	3.10
39130000EAA	HBIT120E AA	130-190	77	80	HBIT120E	SACC130190	SACC130190	4.62
39170000EAA	HBIT120E AA	170-230				SACC170230	SACC170230	4.84
39210000EAA	HBIT120E AA	210-270	78	100	HBIT120	SACC210270	SACC210270	5.18
39250000EAA	HBIT120E AA	250-310				SACC250310	SACC250310	5.36
39130000AA	HBIT120 AA	130-190	100	100	HBIT120	SACC130190	SACC130190	6.67
39170000AA	HBIT120 AA	170-230				SACC170230	SACC170230	6.89
39210000AA	HBIT120 AA	210-270	101	100	HBIT120	SACC210270	SACC210270	7.23
39250000AA	HBIT120 AA	250-310				SACC250310	SACC250310	7.41

不等高粗搪頭系統組合(雙刃不等高切削不同直徑)

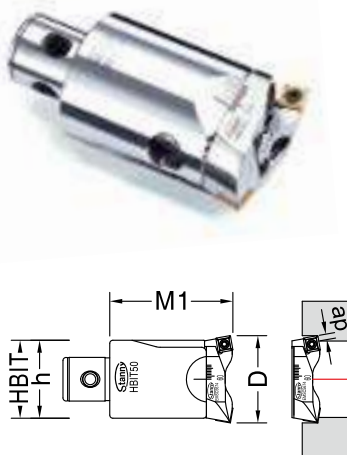
SBCC and SBCC Cutting Insert Holders have different Cutting Diameter and Height.



訂貨編號 Order No.	規格 Model	範圍 D Boring Range øDMin-DMax	M1	h	粗搪孔刀本體 Boring Head	粗搪孔刀座 Cutting Insert Holder	淨重 N.W.	
32290000AB	HBIT25 AB	29-36	50	25	HBIT25	SACC2936	SBCC2936	0.17
32350000AB	HBIT25 AB	35-42				SACC3542	SBCC3542	0.19
33360000AB	HBIT32 AB	36-45	63	32	HBIT32	SACC3645	SBCC3645	0.37
33440000AB	HBIT32 AB	44-53				SACC4453	SBCC4453	0.37
34450000AB	HBIT40 AB	45-56	63	40	HBIT40	SACC4556	SBCC4556	0.56
34550000AB	HBIT40 AB	55-66				SACC5566	SBCC5566	0.58
35560000AB	HBIT50 AB	56-74	80	50	HBIT50	SACC5674	SBCC5674	1.10
35740000AB	HBIT50 AB	74-92				SACC7492	SBCC7492	1.14
36700000AB	HBIT63 AB	70-90	80	63	HBIT63	SACC7090	SBCC7090	1.78
36900000AB	HBIT63 AB	90-110				SACC90110	SBCC90110	1.90
38900000AB	HBIT80 AB	90-130	82	63	HBIT80	SACC90130	SBCC90130	2.30
38910000AB	HBIT80 AB	130-170				SACC130170	SBCC130170	2.44
38920000AB	HBIT80 AB	170-210	82	80	HBIT80E	SACC170210	SBCC170210	2.63
38900000EAB	HBIT80E AB	90-130				SACC90130	SBCC90130	2.76
38910000EAB	HBIT80E AB	130-170	82	80	HBIT80E	SACC130170	SBCC130170	2.90
38920000EAB	HBIT80E AB	170-210				SACC170210	SBCC170210	3.09
39130000EAB	HBIT120E AB	130-190	77	80	HBIT120E	SBCC130190	SBCC130190	4.61
39170000EAB	HBIT120E AB	170-230				SBCC170230	SBCC170230	4.83
39210000EAB	HBIT120E AB	210-270	78	100	HBIT120	SBCC210270	SBCC210270	5.17
39250000EAB	HBIT120E AB	250-310				SBCC250310	SBCC250310	5.35
39130000AB	HBIT120 AB	130-190	100	100	HBIT120	SACC130190	SBCC130190	6.66
39170000AB	HBIT120 AB	170-230				SACC170230	SBCC170230	6.88
39210000AB	HBIT120 AB	210-270	101	100	HBIT120	SACC210270	SBCC210270	7.22
39250000AB	HBIT120 AB	250-310				SACC250310	SBCC250310	7.40

80°等高粗搪頭系統組合(雙刃等高切削相同直徑)

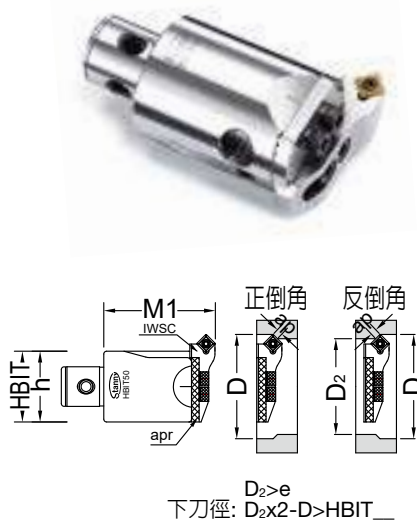
EMSC and EMSC 80° Cutting Insert Holders have the same Cutting Diameter and Height.



訂貨編號 Order No.	規格 Model	範圍 D Boring Range øDMin-DMax	M1	h	粗搪孔刀本體 Boring Head	80° 粗搪孔刀座 80° Cutting Insert Holder		淨重 N.W.		
32290000MM	HBIT25	MM 29-36	50	25	HBIT25	EMSC2936	EMSC2936	0.17		
32350000MM	HBIT25	MM 35-42		EMSC3542		EMSC3542	0.17			
33360000MM	HBIT32	MM 36-45	63	32	HBIT32	EMSC3645	EMSC3645	0.35		
33440000MM	HBIT32	MM 44-53		EMSC4453		EMSC4453	0.37			
34450000MM	HBIT40	MM 45-56		EMSC4556		EMSC4556	0.54			
34550000MM	HBIT40	MM 55-66		EMSC5566		EMSC5566	0.56			
35560000MM	HBIT50	MM 56-74	80	50	HBIT50	EMSC5674	EMSC5674	1.08		
35740000MM	HBIT50	MM 74-92		EMSC7492		EMSC7492	1.14			
36700000MM	HBIT63	MM 70-90		HBIT63		63	EMSC7090	EMSC7090	1.78	
36900000MM	HBIT63	MM 90-110					EMSC90110	EMSC90110	1.90	
38900000MM	HBIT80	MM 90-130		HBIT80		63	EMSC90130	EMSC90130	2.30	
38910000MM	HBIT80	MM 130-170					EMSC130170	EMSC130170	2.42	
38900000EMM	HBIT80E	MM 90-130	80	80	HBIT80E	EMSC90130	EMSC90130	2.76		
38910000EMM	HBIT80E	MM 130-170				EMSC130170	EMSC130170	2.88		
39130000EMM	HBIT120E	MM 130-190				HBIT120E	76	EMSC130190	EMSC130190	4.62
39170000EMM	HBIT120E	MM 170-230						EMSC170230	EMSC170230	4.84
39130000MM	HBIT120	MM 130-190	100	100	HBIT120	EMSC130190	EMSC130190	6.67		
39170000MM	HBIT120	MM 170-230				EMSC170230	EMSC170230	6.89		

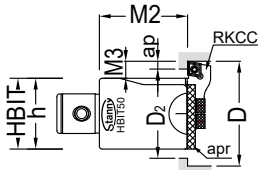
45°正反倒角粗搪頭系統組合

Body and 45° Chamfer Cutting Insert Holder



訂貨編號 Order No.	規格 Model	範圍 D Boring Range øDMin-DMax	M1	h	粗搪孔刀本體 Boring Head	45°正反倒角刀座 45° Chamfer Cutting Insert Holder	壓板 Apron	淨重 N.W.		
32290000AW	HBIT25	AW 29-36	50	25	HBIT25	IWSC2936	apr25	0.17		
32350000AW	HBIT25	AW 35-42		IWSC3542			0.17			
33360000AW	HBIT32	AW 36-45	63	32	HBIT32	IWSC3645	apr32	0.35		
33440000AW	HBIT32	AW 44-53		IWSC4453			0.36			
34450000AW	HBIT40	AW 45-56		EMSC4556			0.53			
34550000AW	HBIT40	AW 55-66		IWSC5566			0.54			
35560000AW	HBIT50	AW 56-74	80	50	HBIT50	IWSC5674	apr50	1.06		
35740000AW	HBIT50	AW 74-92		IWSC7492			1.09			
36700000AW	HBIT63	AW 70-90		HBIT63		63	IWSC7090	apr63	1.72	
36900000AW	HBIT63	AW 90-110					IWSC90110		1.78	
38900000AW	HBIT80	AW 90-130		HBIT80		63	IWSC90130	apr80	2.21	
38910000AW	HBIT80	AW 130-170					IWSC130170		2.27	
38900000EAW	HBIT80E	AW 90-130	80	80	HBIT80E	IWSC90130	apr80	2.67		
38910000EAW	HBIT80E	AW 130-170				IWSC130170		2.73		
39130000EAW	HBIT120E	AW 130-190				HBIT120E	76	IWSC130190	apr120	4.43
39170000EAW	HBIT120E	AW 170-230						IWSC170230		4.54
39130000AW	HBIT120	AW 130-190	100	100	HBIT120	IWSC130190	apr120	6.48		
39170000AW	HBIT120	AW 170-230				IWSC170230		6.59		

粗搪反搪孔頭系統組合
Body and Reverse Cutting Insert Holder

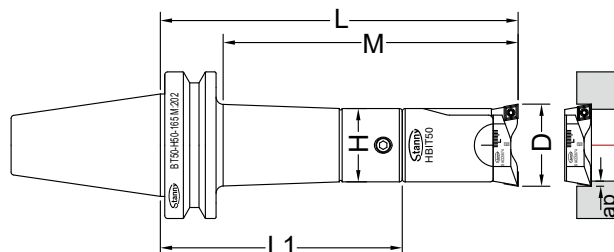


$D_2 > e$
 下刀徑: $D_2 \times 2 - D > \text{HBIT}_-$

訂貨編號 Order No.	規格 Model	範圍 D Boring Range øDMin-DMax	M3	M2	h	粗搪孔刀本體 Boring Head	粗搪孔反搪刀座 Reverse Cutting Insert Holder	壓板 Apron	淨重 N.W.
32290000AK	HBIT25 AK	29-36	2-5				RKCC2936		0.17
32350000AK	HBIT25 AK	35-42	5-8				RKCC3542		0.17
32410000AK	HBIT25 AK	41-48	8-11				RKCC4148	apr25	0.17
32470000AK	HBIT25 AK	47-54	11-14				RKCC4754		0.17
33360000AK	HBIT32 AK	36-45	2-6				RKCC3645		0.36
33440000AK	HBIT32 AK	44-53	6-10				RKCC4453		0.36
33530000AK	HBIT32 AK	53-62	10-15				RKCC5362	apr32	0.36
33610000AK	HBIT32 AK	61-70	14-19				RKCC6170		0.36
34450000AK	HBIT40 AK	45-56	2-8				RKCC4556		0.54
34550000AK	HBIT40 AK	55-66	7-13				RKCC5566		0.55
34650000AK	HBIT40 AK	65-76	12-18				RKCC6576	apr40	0.55
34750000AK	HBIT40 AK	75-86	17-23				RKCC7586		0.56
34850000AK	HBIT40 AK	85-96	22-28				RKCC8596		0.57
35560000AK	HBIT50 AK	56-74	3-12				RKCC5674		1.07
35740000AK	HBIT50 AK	74-92	12-21				RKCC7492		1.09
35750000AK	HBIT50 AK	92-110	21-30				RKCC92110	apr50	1.13
35760000AK	HBIT50 AK	110-128	30-39				RKCC110128		1.15
35770000AK	HBIT50 AK	128-146	39-48				RKCC128146		1.17
36700000AK	HBIT63 AK	70-90	3-13				RKCC7090		1.74
36900000AK	HBIT63 AK	90-110	13-23				RKCC90110		1.79
36910000AK	HBIT63 AK	110-130	23-33				RKCC110130	apr63	1.85
36920000AK	HBIT63 AK	130-150	33-43				RKCC130150		1.89
36930000AK	HBIT63 AK	150-170	43-53				RKCC150170		1.94
38900000AK	HBIT80 AK	90-130	5-25				RKCC90130		2.23
38910000AK	HBIT80 AK	130-170	25-45				RKCC130170	apr80	2.30
38920000AK	HBIT80 AK	170-210	45-65				RKCC170210		2.41
38900000EAK	HBIT80E AK	90-130	5-25				RKCC90130		2.69
38910000EAK	HBIT80E AK	130-170	25-45				RKCC130170	apr80	2.70
38920000EAK	HBIT80E AK	170-210	45-65				RKCC170210		2.87
39130000EAK	HBIT120E AK	130-190	5-35				RKCC130190		4.44
39170000EAK	HBIT120E AK	170-230	25-55				RKCC170230		4.54
39210000EAK	HBIT120E AK	210-270	45-75				RKCC210270	apr120	4.71
39250000EAK	HBIT120E AK	250-310	65-95				RKCC250310		4.81
39130000AK	HBIT120 AK	130-190	5-35				RKCC130190		6.49
39170000AK	HBIT120 AK	170-230	25-55				RKCC170230		6.59
39210000AK	HBIT120 AK	210-270	45-75				RKCC210270	apr120	6.76
39250000AK	HBIT120 AK	250-310	65-95				RKCC250310		6.86



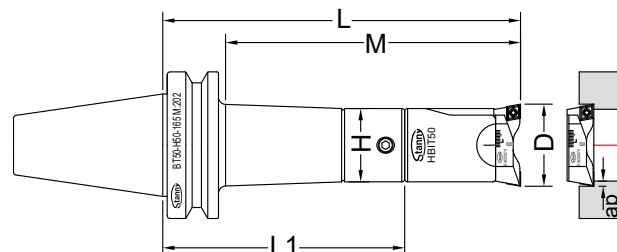
搪孔刀柄、粗搪孔刀本體、粗搪孔刀座 Taper Shank, Body and Cutting Insert Holder



整支 SET

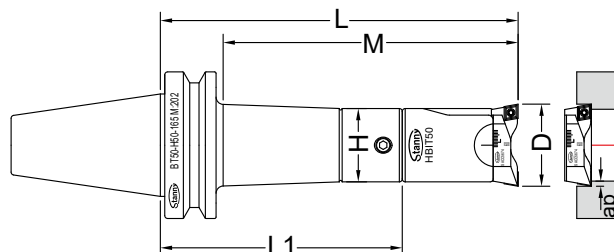
MAS403 BT-HBIT 雙刃粗搪孔刀-AA type MAS403 BT and HBIT Adjustable Twin Cutter Boring Head-AA type

訂貨編號 Order No.	規格 Model	範圍 D Boring Range øDMin-øDMax	M	L	粗搪孔系統組合 Adjustable Twin Cutter Boring System			淨重 N.W.			
					搪孔刀柄 Taper Shank	粗搪孔刀本體 Boring Head	粗搪孔刀座 Cutting Insert Holder				
32291406AA	BT40-HBIT25-60	AA 29-36	60	90	BT40-H25-40	HBIT25	SACC2936	SACC2936	1.17		
32291409AA	BT40-HBIT25-90	AA 29-36	90	122	BT40-H25-72				1.29		
32291412AA	BT40-HBIT25-123	AA 29-36	123	150	BT40-H25-100				1.41		
32291414AA	BT40-HBIT25-145	AA 29-36	145	177	BT40-H25-127				1.55		
32351406AA	BT40-HBIT25-60	AA 35-42	60	90	BT40-H25-40				1.19		
32351409AA	BT40-HBIT25-90	AA 35-42	90	122	BT40-H25-72	SACC3542	SACC3542	1.31			
32351412AA	BT40-HBIT25-123	AA 35-42	123	150	BT40-H25-100			1.43			
32351414AA	BT40-HBIT25-145	AA 35-42	145	177	BT40-H25-127			1.57			
33361407AA	BT40-HBIT32-75	AA 36-45	75	103	BT40-H32-40	HBIT32	SACC3645	SACC3645	1.37		
33361410AA	BT40-HBIT32-102	AA 36-45	102	135	BT40-H32-72				1.57		
33361415AA	BT40-HBIT32-150	AA 36-45	150	183	BT40-H32-120				1.92		
33361416AA	BT40-HBIT32-165	AA 36-45	165	198	BT40-H32-135				2.03		
33441407AA	BT40-HBIT32-75	AA 44-53	75	103	BT40-H32-40				1.37		
33441410AA	BT40-HBIT32-102	AA 44-53	102	135	BT40-H32-72				SACC4453	SACC4453	1.57
33441415AA	BT40-HBIT32-150	AA 44-53	150	183	BT40-H32-120						1.92
33441416AA	BT40-HBIT32-165	AA 44-53	165	198	BT40-H32-135	2.03					
34451407AA	BT40-HBIT40-73	AA 45-56	73	103	BT40-H40-40	HBIT40	SACC4556	SACC4556	1.61		
34451410AA	BT40-HBIT40-102	AA 45-56	102	135	BT40-H40-72				1.87		
34451416AA	BT40-HBIT40-162	AA 45-56	162	193	BT40-H40-130				2.51		
34451421AA	BT40-HBIT40-212	AA 45-56	212	248	BT40-H40-185				3.08		
34551407AA	BT40-HBIT40-73	AA 55-66	73	103	BT40-H40-40				1.63		
34551410AA	BT40-HBIT40-102	AA 55-66	102	135	BT40-H40-72				SACC5566	SACC5566	1.89
34551416AA	BT40-HBIT40-162	AA 55-66	162	193	BT40-H40-130						2.53
34551421AA	BT40-HBIT40-212	AA 55-66	212	248	BT40-H40-185	3.10					
35561410AA	BT40-HBIT50-102	AA 56-74	102	130	BT40-H50-50	HBIT50	SACC5674	SACC5674	2.25		
35561414AA	BT40-HBIT50-142	AA 56-74	142	170	BT40-H50-90				2.82		
35561418AA	BT40-HBIT50-182	AA 56-74	182	210	BT40-H50-130				3.30		
35561422AA	BT40-HBIT50-222	AA 56-74	222	250	BT40-H50-170				4.17		
35741410AA	BT40-HBIT50-102	AA 74-92	102	130	BT40-H50-50				2.29		
35741414AA	BT40-HBIT50-142	AA 74-92	142	170	BT40-H50-90				SACC7492	SACC7492	2.86
35741418AA	BT40-HBIT50-182	AA 74-92	182	210	BT40-H50-130						3.34
35741422AA	BT40-HBIT50-222	AA 74-92	222	250	BT40-H50-170	4.21					
36701410AA	BT40-HBIT63-102	AA 70-90	102	135	BT40-H63-55	HBIT63	SACC7090	SACC7090	3.02		
36701415AA	BT40-HBIT63-152	AA 70-90	152	185	BT40-H63-105				4.23		
36701420AA	BT40-HBIT63-202	AA 70-90	202	235	BT40-H63-155				5.32		
36901410AA	BT40-HBIT63-102	AA 90-110	102	135	BT40-H63-55				3.14		
36901415AA	BT40-HBIT63-152	AA 90-110	152	185	BT40-H63-105				SACC90110	SACC90110	4.35
36901420AA	BT40-HBIT63-202	AA 90-110	202	235	BT40-H63-155						5.54

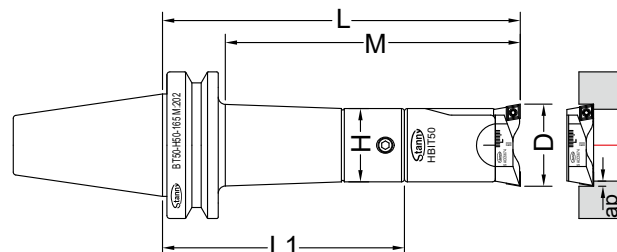


訂貨編號 Order No.	規格 Model	範圍 D Boring Range øDMin-øDMax	M	L	粗搪孔系統組合 Adjustable Twin Cutter Boring System				淨重 N.W.
					搪孔刀柄 Taper Shank	粗搪孔刀本體 Boring Head	粗搪孔刀座 Cutting Insert Holder		
38901410AA	BT40-HBIT80-102	AA 90-130	102	135	BT40-H63-55	HBIT80	SACC90130	SACC90130	3.54
38901415AA	BT40-HBIT80-152	AA 90-130	152	185	BT40-H63-105				4.75
38901420AA	BT40-HBIT80-202	AA 90-130	202	235	BT40-H63-155				5.84
38911410AA	BT40-HBIT80-102	AA 130-170	102	135	BT40-H63-55		3.68		
38911415AA	BT40-HBIT80-152	AA 130-170	152	185	BT40-H63-105		SACC130170	SACC130170	4.89
38911420AA	BT40-HBIT80-202	AA 130-170	202	235	BT40-H63-155		5.98		
38921410AA	BT40-HBIT80-102	AA 170-210	104	137	BT40-H63-55		3.88		
38921415AA	BT40-HBIT80-152	AA 170-210	154	187	BT40-H63-105		SACC170210	SACC170210	5.09
38921420AA	BT40-HBIT80-202	AA 170-210	204	237	BT40-H63-155		6.18		
32291510AA	BT50-HBIT25-102	AA 29-36	102	165	BT50-H25-115	HBIT25	SACC2936	SACC2936	4.32
32291512AA	BT50-HBIT25-127	AA 29-36	127	190	BT50-H25-140				4.47
32291515AA	BT50-HBIT25-152	AA 29-36	152	215	BT50-H25-165				4.57
32351510AA	BT50-HBIT25-102	AA 35-42	102	165	BT50-H25-115		4.34		
32351512AA	BT50-HBIT25-127	AA 35-42	127	190	BT50-H25-140		SACC3542	SACC3542	4.49
32351515AA	BT50-HBIT25-152	AA 35-42	152	215	BT50-H25-165		4.59		
33361513AA	BT50-HBIT32-135	AA 36-45	135	198	BT50-H32-135	HBIT32	SACC3645	SACC3645	4.92
33361516AA	BT50-HBIT32-165	AA 36-45	165	228	BT50-H32-165				5.17
33361520AA	BT50-HBIT32-200	AA 36-45	200	263	BT50-H32-200				5.37
33441513AA	BT50-HBIT32-135	AA 44-53	135	198	BT50-H32-135		4.92		
33441516AA	BT50-HBIT32-165	AA 44-53	165	228	BT50-H32-165		SACC4453	SACC4453	5.17
33441520AA	BT50-HBIT32-200	AA 44-53	200	263	BT50-H32-200		5.37		
34451513AA	BT50-HBIT40-135	AA 45-56	135	198	BT50-H40-135	HBIT40	SACC4556	SACC4556	5.46
34451518AA	BT50-HBIT40-185	AA 45-56	185	248	BT50-H40-185				6.01
34451522AA	BT50-HBIT40-225	AA 45-56	225	288	BT50-H40-225				6.46
34451526AA	BT50-HBIT40-265	AA 45-56	265	328	BT50-H40-265		6.86		
34551513AA	BT50-HBIT40-135	AA 55-66	135	198	BT50-H40-135		5.48		
34551518AA	BT50-HBIT40-185	AA 55-66	185	248	BT50-H40-185		SACC5566	SACC5566	6.03
34551522AA	BT50-HBIT40-225	AA 55-66	225	288	BT50-H40-225		6.48		
34551526AA	BT50-HBIT40-265	AA 55-66	265	328	BT50-H40-265		6.88		
35561510AA	BT50-HBIT50-102	AA 56-74	102	145	BT50-H50-65		HBIT50	SACC5674	SACC5674
35561520AA	BT50-HBIT50-202	AA 56-74	202	245	BT50-H50-165	6.45			
35561525AA	BT50-HBIT50-252	AA 56-74	252	295	BT50-H50-215	7.40			
35561530AA	BT50-HBIT50-302	AA 56-74	302	345	BT50-H50-265	8.30			
35741510AA	BT50-HBIT50-102	AA 74-92	102	145	BT50-H50-65	4.94			
35741520AA	BT50-HBIT50-202	AA 74-92	202	245	BT50-H50-165	SACC7492		SACC7492	6.49
35741525AA	BT50-HBIT50-252	AA 74-92	252	295	BT50-H50-215	7.44			
35741530AA	BT50-HBIT50-302	AA 74-92	302	345	BT50-H50-265	8.34			

搪孔刀柄、粗搪孔刀本體、粗搪孔刀座 Taper Shank, Body and Cutting Insert Holder

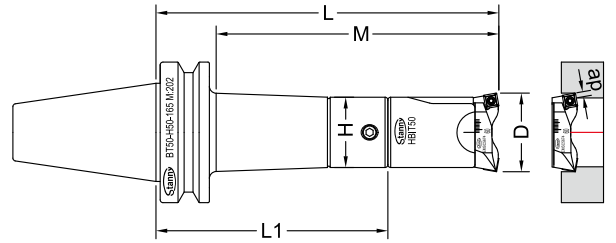


訂貨編號 Order No.	規格 Model	範圍 D Boring Range øDMin-øDMax	M	L	粗搪孔系統組合 Adjustable Twin Cutter Boring System			淨重 N.W.	
					搪孔刀柄 Taper Shank	粗搪孔刀本體 Boring Head	粗搪孔刀座 Cutting Insert Holder		
36701512AA	BT50-HBIT63-122	AA 70-90	122	165	BT50-H63-85	HBIT63	SACC7090	SACC7090	6.08
36701520AA	BT50-HBIT63-202	AA 70-90	202	245	BT50-H63-165				7.98
36701525AA	BT50-HBIT63-252	AA 70-90	252	295	BT50-H63-215				9.53
36701530AA	BT50-HBIT63-302	AA 70-90	302	345	BT50-H63-265				10.48
36701535AA	BT50-HBIT63-352	AA 70-90	352	395	BT50-H63-315				13.73
36901512AA	BT50-HBIT63-122	AA 90-110	122	165	BT50-H63-85		SACC90110	SACC90110	6.20
36901520AA	BT50-HBIT63-202	AA 90-110	202	245	BT50-H63-165				8.10
36901525AA	BT50-HBIT63-252	AA 90-110	252	295	BT50-H63-215				9.65
36901530AA	BT50-HBIT63-302	AA 90-110	302	345	BT50-H63-265				10.60
36901535AA	BT50-HBIT63-352	AA 90-110	352	395	BT50-H63-315				13.85
38901512AA	BT50-HBIT80-122	AA 90-130	122	165	BT50-H63-85	HBIT80	SACC90130	SACC90130	6.60
38901520AA	BT50-HBIT80-202	AA 90-130	202	245	BT50-H63-165				8.50
38901525AA	BT50-HBIT80-252	AA 90-130	252	295	BT50-H63-215				10.05
38901530AA	BT50-HBIT80-302	AA 90-130	302	345	BT50-H63-265				11.00
38901535AA	BT50-HBIT80-352	AA 90-130	352	395	BT50-H63-315				14.25
38911512AA	BT50-HBIT80-122	AA 130-170	122	165	BT50-H63-85		SACC130170	SACC130170	6.74
38911520AA	BT50-HBIT80-202	AA 130-170	202	245	BT50-H63-165				8.64
38911525AA	BT50-HBIT80-252	AA 130-170	252	295	BT50-H63-215				10.19
38911530AA	BT50-HBIT80-302	AA 130-170	302	345	BT50-H63-265				11.14
38911535AA	BT50-HBIT80-352	AA 130-170	352	395	BT50-H63-315				14.39
38921512AA	BT50-HBIT80-122	AA 170-210	122	167	BT50-H63-85	SACC170210	SACC170210	6.94	
38921520AA	BT50-HBIT80-202	AA 170-210	202	247	BT50-H63-165			8.84	
38921525AA	BT50-HBIT80-252	AA 170-210	252	297	BT50-H63-215			10.39	
38921530AA	BT50-HBIT80-302	AA 170-210	302	347	BT50-H63-265			11.34	
38921535AA	BT50-HBIT80-352	AA 170-210	352	397	BT50-H63-315			14.59	
38901510EAA	BT50-HBIT80E-102	AA 90-130	102	150	BT50-H80-70	HBIT80E	SACC90130	SACC90130	6.76
38901515EAA	BT50-HBIT80E-152	AA 90-130	152	195	BT50-H80-115				8.31
38901520EAA	BT50-HBIT80E-202	AA 90-130	202	245	BT50-H80-165				10.01
38901525EAA	BT50-HBIT80E-252	AA 90-130	252	295	BT50-H80-215				11.76
38901530EAA	BT50-HBIT80E-302	AA 90-130	302	345	BT50-H80-265				13.51
38901535EAA	BT50-HBIT80E-352	AA 90-130	352	395	BT50-H80-315		15.21		
38911510EAA	BT50-HBIT80E-102	AA 130-170	102	150	BT50-H80-70		SACC130170	SACC130170	6.88
38911515EAA	BT50-HBIT80E-152	AA 130-170	152	195	BT50-H80-115				8.43
38911520EAA	BT50-HBIT80E-202	AA 130-170	202	245	BT50-H80-165				10.13
38911525EAA	BT50-HBIT80E-252	AA 130-170	252	295	BT50-H80-215				11.88
38911530EAA	BT50-HBIT80E-302	AA 130-170	302	345	BT50-H80-265	13.63			
38911535EAA	BT50-HBIT80E-352	AA 130-170	352	395	BT50-H80-315	15.33			
38921510EAA	BT50-HBIT80E-102	AA 170-210	102	157	BT50-H80-70	SACC170210	SACC170210	7.08	
38921515EAA	BT50-HBIT80E-152	AA 170-210	152	197	BT50-H80-115			8.63	
38921520EAA	BT50-HBIT80E-202	AA 170-210	202	247	BT50-H80-165			10.33	
38921525EAA	BT50-HBIT80E-252	AA 170-210	252	297	BT50-H80-215			12.08	
38921530EAA	BT50-HBIT80E-302	AA 170-210	302	347	BT50-H80-265			13.83	
38921535EAA	BT50-HBIT80E-352	AA 170-210	352	397	BT50-H80-315	15.53			



訂貨編號 Order No.	規格 Model	範圍 D Boring Range øDMin-øDMax	M	L	粗搪孔系統組合 Adjustable Twin Cutter Boring System			淨重 N.W.			
					搪孔刀柄 Taper Shank	粗搪孔刀本體 Boring Head	粗搪孔刀座 Cutting Insert Holder				
39131510EAA	BT50-HBIT120E-102 AA	130-190	102	147	BT50-H80-70	HBIT120E	SACC130190	SACC130190	8.62		
39131515EAA	BT50-HBIT120E-152 AA	130-190	152	192	BT50-H80-115				10.17		
39131520EAA	BT50-HBIT120E-202 AA	130-190	202	242	BT50-H80-165				11.87		
39131525EAA	BT50-HBIT120E-252 AA	130-190	252	292	BT50-H80-215				13.62		
39131530EAA	BT50-HBIT120E-302 AA	130-190	302	342	BT50-H80-265				15.37		
39131535EAA	BT50-HBIT120E-352 AA	130-190	352	392	BT50-H80-315		17.07				
39171510EAA	BT50-HBIT120E-102 AA	170-230	102	147	BT50-H80-70		HBIT120	SACC170230	SACC170230	8.84	
39171515EAA	BT50-HBIT120E-152 AA	170-230	152	192	BT50-H80-115					10.39	
39171520EAA	BT50-HBIT120E-202 AA	170-230	202	242	BT50-H80-165					12.09	
39171525EAA	BT50-HBIT120E-252 AA	170-230	252	292	BT50-H80-215					13.84	
39171530EAA	BT50-HBIT120E-302 AA	170-230	302	342	BT50-H80-265					15.59	
39171535EAA	BT50-HBIT120E-352 AA	170-230	352	392	BT50-H80-315			17.29			
39211510EAA	BT50-HBIT120E-102 AA	210-270	102	148	BT50-H80-70			HBIT120	SACC210270	SACC210270	9.18
39211515EAA	BT50-HBIT120E-152 AA	210-270	152	193	BT50-H80-115						10.73
39211520EAA	BT50-HBIT120E-202 AA	210-270	202	243	BT50-H80-165						12.43
39211525EAA	BT50-HBIT120E-252 AA	210-270	252	293	BT50-H80-215	14.18					
39211530EAA	BT50-HBIT120E-302 AA	210-270	302	343	BT50-H80-265	15.93					
39211535EAA	BT50-HBIT120E-352 AA	210-270	352	393	BT50-H80-315	17.63					
39251510EAA	BT50-HBIT120E-102 AA	250-310	102	148	BT50-H80-70	HBIT120			SACC250310	SACC250310	9.36
39251515EAA	BT50-HBIT120E-152 AA	250-310	152	193	BT50-H80-115						10.91
39251520EAA	BT50-HBIT120E-202 AA	250-310	202	243	BT50-H80-165						12.61
39251525EAA	BT50-HBIT120E-252 AA	250-310	252	293	BT50-H80-215		14.36				
39251530EAA	BT50-HBIT120E-302 AA	250-310	302	343	BT50-H80-265		16.11				
39251535EAA	BT50-HBIT120E-352 AA	250-310	352	393	BT50-H80-315		17.81				
39131515AA	BT50-HBIT120-150 AA	130-190	150	200	BT50-H100-100		HBIT120		SACC130190	SACC130190	12.62
39131520AA	BT50-HBIT120-200 AA	130-190	200	250	BT50-H100-150						15.27
39131525AA	BT50-HBIT120-250 AA	130-190	250	300	BT50-H100-200						18.22
39131530AA	BT50-HBIT120-300 AA	130-190	300	350	BT50-H100-250			21.17			
39171515AA	BT50-HBIT120-150 AA	170-230	150	200	BT50-H100-100			12.84			
39171520AA	BT50-HBIT120-200 AA	170-230	200	250	BT50-H100-150			15.49			
39171525AA	BT50-HBIT120-250 AA	170-230	250	300	BT50-H100-200			18.44			
39171530AA	BT50-HBIT120-300 AA	170-230	300	350	BT50-H100-250			21.39			
39211515AA	BT50-HBIT120-150 AA	210-270	150	206	BT50-H100-100			HBIT120	SACC210270	SACC210270	13.18
39211520AA	BT50-HBIT120-200 AA	210-270	200	251	BT50-H100-150	15.83					
39211525AA	BT50-HBIT120-250 AA	210-270	250	301	BT50-H100-200	18.78					
39211530AA	BT50-HBIT120-300 AA	210-270	300	351	BT50-H100-250	21.73					
39251515AA	BT50-HBIT120-150 AA	250-310	150	206	BT50-H100-100	13.36					
39251520AA	BT50-HBIT120-200 AA	250-310	200	251	BT50-H100-150	16.01					
39251525AA	BT50-HBIT120-250 AA	250-310	250	301	BT50-H100-200	18.96					
39251530AA	BT50-HBIT120-300 AA	250-310	300	351	BT50-H100-250	21.91					

搪孔刀柄、粗搪孔刀本體、80°粗搪孔刀座 Taper Shank, Body and 80° Cutting Insert Holder

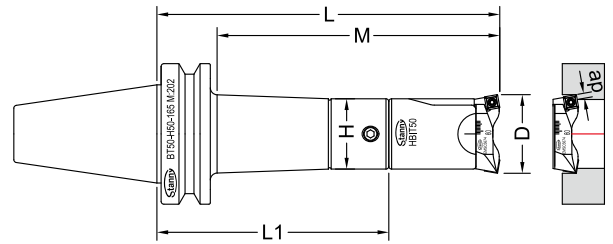


整支 SET

MAS403 BT-HBIT 80°雙刃粗搪孔刀-MM type

MAS403 BT and HBIT Adjustable Twin Cutter Boring Head-MM type

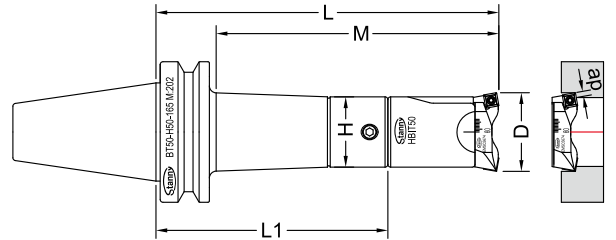
訂貨編號 Order No.	規格 Model	範圍 D Boring Range øDMin-øDMax	M	L	粗搪孔系統組合 Adjustable Twin Cutter Boring System				淨重 N.W.
					搪孔刀柄 Taper Shank	粗搪孔刀本體 Boring Head	80°粗搪孔刀座 80° Cutting Insert Holder		
32291406MM	BT40-HBIT25-60	MM 29-36	60	90	BT40-H25-40	HBIT25	EMSC2936	EMSC2936	1.17
32291409MM	BT40-HBIT25-90	MM 29-36	90	122	BT40-H25-72				1.29
32291412MM	BT40-HBIT25-123	MM 29-36	123	150	BT40-H25-100				1.41
32291414MM	BT40-HBIT25-145	MM 29-36	145	177	BT40-H25-127		1.55		
32351406MM	BT40-HBIT25-60	MM 35-42	60	90	BT40-H25-40		EMSC3542	EMSC3542	1.19
32351409MM	BT40-HBIT25-90	MM 35-42	90	122	BT40-H25-72				1.31
32351412MM	BT40-HBIT25-123	MM 35-42	123	150	BT40-H25-100	1.43			
32351414MM	BT40-HBIT25-145	MM 35-42	145	177	BT40-H25-127	1.57			
33361407MM	BT40-HBIT32-75	MM 36-45	75	103	BT40-H32-40	HBIT32	EMSC3645	EMSC3645	1.37
33361410MM	BT40-HBIT32-102	MM 36-45	102	135	BT40-H32-72				1.57
33361415MM	BT40-HBIT32-150	MM 36-45	150	183	BT40-H32-120				1.92
33361416MM	BT40-HBIT32-165	MM 36-45	165	198	BT40-H32-135		2.03		
33441407MM	BT40-HBIT32-75	MM 44-53	75	103	BT40-H32-40		EMSC4453	EMSC4453	1.37
33441410MM	BT40-HBIT32-102	MM 44-53	102	135	BT40-H32-72				1.57
33441415MM	BT40-HBIT32-150	MM 44-53	150	183	BT40-H32-120	1.92			
33441416MM	BT40-HBIT32-165	MM 44-53	165	198	BT40-H32-135	2.03			
34451407MM	BT40-HBIT40-73	MM 45-56	73	103	BT40-H40-40	HBIT40	EMSC4556	EMSC4556	1.61
34451410MM	BT40-HBIT40-102	MM 45-56	102	135	BT40-H40-72				1.87
34451416MM	BT40-HBIT40-162	MM 45-56	162	193	BT40-H40-130				2.51
34451421MM	BT40-HBIT40-212	MM 45-56	212	248	BT40-H40-185		3.08		
34551407MM	BT40-HBIT40-73	MM 55-66	73	103	BT40-H40-40		EMSC5566	EMSC5566	1.63
34551410MM	BT40-HBIT40-102	MM 55-66	102	135	BT40-H40-72				1.89
34551416MM	BT40-HBIT40-162	MM 55-66	162	193	BT40-H40-130	2.53			
34551421MM	BT40-HBIT40-212	MM 55-66	212	248	BT40-H40-185	3.10			
35561410MM	BT40-HBIT50-102	MM 56-74	102	130	BT40-H50-50	HBIT50	EMSC5674	EMSC5674	2.25
35561414MM	BT40-HBIT50-142	MM 56-74	142	170	BT40-H50-90				2.82
35561418MM	BT40-HBIT50-182	MM 56-74	182	210	BT40-H50-130				3.30
35561422MM	BT40-HBIT50-222	MM 56-74	222	250	BT40-H50-170		4.17		
35741410MM	BT40-HBIT50-102	MM 74-92	102	130	BT40-H50-50		EMSC7492	EMSC7492	2.29
35741414MM	BT40-HBIT50-142	MM 74-92	142	170	BT40-H50-90				2.86
35741418MM	BT40-HBIT50-182	MM 74-92	182	210	BT40-H50-130	3.34			
35741422MM	BT40-HBIT50-222	MM 74-92	222	250	BT40-H50-170	4.21			
36701410MM	BT40-HBIT63-102	MM 70-90	102	135	BT40-H63-55	HBIT63	EMSC7090	EMSC7090	3.02
36701415MM	BT40-HBIT63-152	MM 70-90	152	185	BT40-H63-105				4.23
36701420MM	BT40-HBIT63-202	MM 70-90	202	235	BT40-H63-155				5.32
36901410MM	BT40-HBIT63-102	MM 90-110	102	135	BT40-H63-55		EMSC90110	EMSC90110	3.14
36901415MM	BT40-HBIT63-152	MM 90-110	152	185	BT40-H63-105				4.35
36901420MM	BT40-HBIT63-202	MM 90-110	202	235	BT40-H63-155				5.54



訂貨編號 Order No.	規格 Model	範圍 D Boring Range øDMin-øDMax	M	L	粗搪孔系統組合 Adjustable Twin Cutter Boring System				淨重 N.W.		
					搪孔刀柄 Taper Shank	粗搪孔刀本體 Boring Head	80°粗搪孔刀座 80° Cutting Insert Holder				
38901410MM	BT40-HBIT80-102	MM 90-130	102	135	BT40-H63-55	HBIT80	EMSC90130	EMSC90130	3.54		
38901415MM	BT40-HBIT80-152	MM 90-130	152	185	BT40-H63-105				EMSC130170	EMSC130170	4.75
38901420MM	BT40-HBIT80-202	MM 90-130	202	235	BT40-H63-155						EMSC130170
38911410MM	BT40-HBIT80-102	MM 130-170	102	135	BT40-H63-55		EMSC130170	EMSC130170			
38911415MM	BT40-HBIT80-152	MM 130-170	152	185	BT40-H63-105				EMSC130170	EMSC130170	
38911420MM	BT40-HBIT80-202	MM 130-170	202	235	BT40-H63-155						EMSC130170
32291510MM	BT50-HBIT25-102	MM 29-36	102	165	BT50-H25-115	HBIT25	EMSC2936	EMSC2936			
32291512MM	BT50-HBIT25-127	MM 29-36	127	190	BT50-H25-140				EMSC2936	EMSC2936	
32291515MM	BT50-HBIT25-152	MM 29-36	152	215	BT50-H25-165						EMSC2936
32351510MM	BT50-HBIT25-102	MM 35-42	102	165	BT50-H25-115		EMSC3542	EMSC3542			
32351512MM	BT50-HBIT25-127	MM 35-42	127	190	BT50-H25-140				EMSC3542	EMSC3542	
32351515MM	BT50-HBIT25-152	MM 35-42	152	215	BT50-H25-165						EMSC3542
33361513MM	BT50-HBIT32-135	MM 36-45	135	198	BT50-H32-135	HBIT32	EMSC3645	EMSC3645			
33361516MM	BT50-HBIT32-165	MM 36-45	165	228	BT50-H32-165				EMSC3645	EMSC3645	
33361520MM	BT50-HBIT32-200	MM 36-45	200	263	BT50-H32-200						EMSC3645
33441513MM	BT50-HBIT32-135	MM 44-53	135	198	BT50-H32-135		EMSC4453	EMSC4453			
33441516MM	BT50-HBIT32-165	MM 44-53	165	228	BT50-H32-165				EMSC4453	EMSC4453	
33441520MM	BT50-HBIT32-200	MM 44-53	200	263	BT50-H32-200						EMSC4453
34451513MM	BT50-HBIT40-135	MM 45-56	135	198	BT50-H40-135	HBIT40	EMSC4556	EMSC4556			
34451518MM	BT50-HBIT40-185	MM 45-56	185	248	BT50-H40-185				EMSC4556	EMSC4556	
34451522MM	BT50-HBIT40-225	MM 45-56	225	288	BT50-H40-225						EMSC4556
34451526MM	BT50-HBIT40-265	MM 45-56	265	328	BT50-H40-265		EMSC5566	EMSC5566			
34551513MM	BT50-HBIT40-135	MM 55-66	135	198	BT50-H40-135				EMSC5566	EMSC5566	
34551518MM	BT50-HBIT40-185	MM 55-66	185	248	BT50-H40-185						EMSC5566
34551522MM	BT50-HBIT40-225	MM 55-66	225	288	BT50-H40-225	EMSC5566	EMSC5566	6.46			
34551526MM	BT50-HBIT40-265	MM 55-66	265	328	BT50-H40-265			EMSC5566	EMSC5566	6.86	
35561510MM	BT50-HBIT50-102	MM 56-74	102	145	BT50-H50-65					HBIT50	EMSC5674
35561520MM	BT50-HBIT50-202	MM 56-74	202	245	BT50-H50-165	EMSC5674	EMSC5674				
35561525MM	BT50-HBIT50-252	MM 56-74	252	295	BT50-H50-215			EMSC5674	EMSC5674		
35561530MM	BT50-HBIT50-302	MM 56-74	302	345	BT50-H50-265						EMSC7492
35741510MM	BT50-HBIT50-102	MM 74-92	102	145	BT50-H50-65	EMSC7492	EMSC7492				
35741520MM	BT50-HBIT50-202	MM 74-92	202	245	BT50-H50-165			EMSC7492	EMSC7492		
35741525MM	BT50-HBIT50-252	MM 74-92	252	295	BT50-H50-215					EMSC7492	EMSC7492
35741530MM	BT50-HBIT50-302	MM 74-92	302	345	BT50-H50-265	EMSC7492	EMSC7492				
36701512MM	BT50-HBIT63-122	MM 70-90	122	165	BT50-H63-85			HBIT63	EMSC7090		
36701520MM	BT50-HBIT63-202	MM 70-90	202	245	BT50-H63-165					EMSC7090	EMSC7090
36701525MM	BT50-HBIT63-252	MM 70-90	252	295	BT50-H63-215	EMSC7090	EMSC7090				
36701530MM	BT50-HBIT63-302	MM 70-90	302	345	BT50-H63-265				EMSC90110		
36701535MM	BT50-HBIT63-352	MM 70-90	352	395	BT50-H63-315					EMSC90110	EMSC90110
36901512MM	BT50-HBIT63-122	MM 90-110	122	165	BT50-H63-85	EMSC90110	EMSC90110				
36901520MM	BT50-HBIT63-202	MM 90-110	202	245	BT50-H63-165			EMSC90110	EMSC90110		
36901525MM	BT50-HBIT63-252	MM 90-110	252	295	BT50-H63-215					EMSC90110	EMSC90110
36901530MM	BT50-HBIT63-302	MM 90-110	302	345	BT50-H63-265	EMSC90110	EMSC90110				
36901535MM	BT50-HBIT63-352	MM 90-110	352	395	BT50-H63-315			EMSC90110	EMSC90110		

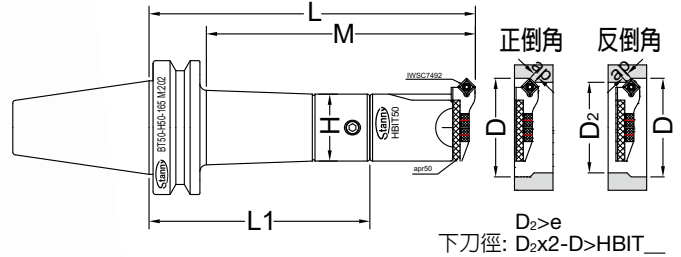


搪孔刀柄、粗搪孔刀本體、80°粗搪孔刀座 Taper Shank, Body and 80° Cutting Insert Holder



訂貨編號 Order No.	規格 Model	範圍 D Boring Range øDMin-øDMax	M	L	粗搪孔系統組合 Adjustable Twin Cutter Boring System				淨重 N.W.		
					搪孔刀柄 Taper Shank	粗搪孔刀本體 Boring Head	80°粗搪孔刀座 80° Cutting Insert Holder				
38901512MM	BT50-HBIT80-122	MM 90-130	122	165	BT50-H63-85	HBIT80	EMSC90130	EMSC90130	6.60		
38901520MM	BT50-HBIT80-202	MM 90-130	202	245	BT50-H63-165				8.50		
38901525MM	BT50-HBIT80-252	MM 90-130	252	295	BT50-H63-215				10.05		
38901530MM	BT50-HBIT80-302	MM 90-130	302	345	BT50-H63-265				11.00		
38901535MM	BT50-HBIT80-352	MM 90-130	352	395	BT50-H63-315				14.25		
38911512MM	BT50-HBIT80-122	MM 130-170	122	165	BT50-H63-85		EMSC130170	EMSC130170	6.72		
38911520MM	BT50-HBIT80-202	MM 130-170	202	245	BT50-H63-165				8.62		
38911525MM	BT50-HBIT80-252	MM 130-170	252	295	BT50-H63-215				10.17		
38911530MM	BT50-HBIT80-302	MM 130-170	302	345	BT50-H63-265				11.12		
38911535MM	BT50-HBIT80-352	MM 130-170	352	395	BT50-H63-315				14.37		
38901510EMM	BT50-HBIT80E-102	MM 90-130	102	150	BT50-H80-70	HBIT80E			EMSC90130	EMSC90130	6.76
38901515EMM	BT50-HBIT80E-152	MM 90-130	152	195	BT50-H80-115						8.31
38901520EMM	BT50-HBIT80E-202	MM 90-130	202	245	BT50-H80-165		10.01				
38901525EMM	BT50-HBIT80E-252	MM 90-130	252	295	BT50-H80-215		11.76				
38901530EMM	BT50-HBIT80E-302	MM 90-130	302	345	BT50-H80-265		13.51				
38901535EMM	BT50-HBIT80E-352	MM 90-130	352	395	BT50-H80-315		15.21				
38911510EMM	BT50-HBIT80E-102	MM 130-170	102	150	BT50-H80-70		EMSC130170	EMSC130170	6.88		
38911515EMM	BT50-HBIT80E-152	MM 130-170	152	195	BT50-H80-115				8.43		
38911520EMM	BT50-HBIT80E-202	MM 130-170	202	245	BT50-H80-165				10.13		
38911525EMM	BT50-HBIT80E-252	MM 130-170	252	295	BT50-H80-215				11.88		
38911530EMM	BT50-HBIT80E-302	MM 130-170	302	345	BT50-H80-265	13.63					
38911535EMM	BT50-HBIT80E-352	MM 130-170	352	395	BT50-H80-315	15.33					
39131510EMM	BT50-HBIT120E-102	MM 130-190	102	146	BT50-H80-70	HBIT120E			EMSC130190	EMSC130190	8.62
39131515EMM	BT50-HBIT120E-152	MM 130-190	152	191	BT50-H80-115		10.17				
39131520EMM	BT50-HBIT120E-202	MM 130-190	202	241	BT50-H80-165		11.87				
39131525EMM	BT50-HBIT120E-252	MM 130-190	252	291	BT50-H80-215		13.62				
39131530EMM	BT50-HBIT120E-302	MM 130-190	302	341	BT50-H80-265		15.37				
39131535EMM	BT50-HBIT120E-352	MM 130-190	352	391	BT50-H80-315		17.07				
39171510EMM	BT50-HBIT120E-102	MM 170-230	102	146	BT50-H80-70		EMSC170230	EMSC170230	8.84		
39171515EMM	BT50-HBIT120E-152	MM 170-230	152	191	BT50-H80-115				10.39		
39171520EMM	BT50-HBIT120E-202	MM 170-230	202	241	BT50-H80-165				12.09		
39171525EMM	BT50-HBIT120E-252	MM 170-230	252	291	BT50-H80-215				13.84		
39171530EMM	BT50-HBIT120E-302	MM 170-230	302	341	BT50-H80-265	15.59					
39171535EMM	BT50-HBIT120E-352	MM 170-230	352	391	BT50-H80-315	17.29					
39131515MM	BT50-HBIT120-150	MM 130-190	150	200	BT50-H100-100	HBIT120			EMSC130190	EMSC130190	12.62
39131520MM	BT50-HBIT120-200	MM 130-190	200	250	BT50-H100-150		15.27				
39131525MM	BT50-HBIT120-250	MM 130-190	250	300	BT50-H100-200		18.22				
39131530MM	BT50-HBIT120-300	MM 130-190	300	350	BT50-H100-250		21.17				
39171515MM	BT50-HBIT120-150	MM 170-230	150	200	BT50-H100-100		EMSC170230	EMSC170230	12.84		
39171520MM	BT50-HBIT120-200	MM 170-230	200	250	BT50-H100-150				15.49		
39171525MM	BT50-HBIT120-250	MM 170-230	250	300	BT50-H100-200				18.44		
39171530MM	BT50-HBIT120-300	MM 170-230	300	350	BT50-H100-250				21.39		

搪孔刀柄、粗搪孔刀本體、45°正反倒角搪孔刀座、反搪孔壓板 Taper Shank, Body, 45° Chamfer Cutting Insert Holder and Apron



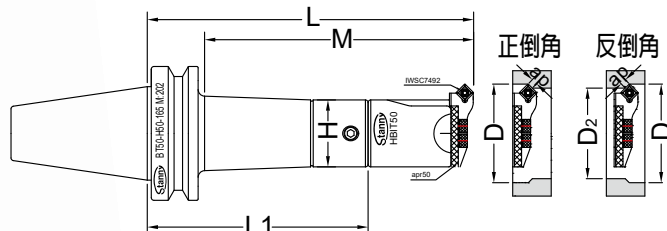
整支 SET

MAS403 BT-HBIT 粗搪孔刀-45°正反倒角-AW type

MAS403 BT and HBIT Adjustable 45° Chamfer Cutter Boring Head AW-type

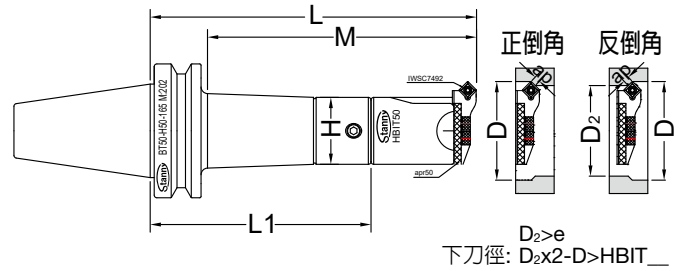
訂貨編號 Order No.	規格 Model	範圍 D Boring Range øDMin-øDMax	M	L	粗搪孔系統組合 Adjustable Single Cutter Boring System				淨重 N.W.
					搪孔刀柄 Taper Shank	粗搪孔刀本體 Boring Head	45°正反倒角刀座 45° Chamfer Cutting Insert Holder	反搪孔壓板 Apron	
32291406AW	BT40-HBIT25-60	AW 29-36	60	90	BT40-H25-40	HBIT25	IWSC2936	apr25	1.17
32291409AW	BT40-HBIT25-90	AW 29-36	90	122	BT40-H25-72				1.29
32291412AW	BT40-HBIT25-123	AW 29-36	123	150	BT40-H25-100				1.41
32291414AW	BT40-HBIT25-145	AW 29-36	145	177	BT40-H25-127				1.55
32351406AW	BT40-HBIT25-60	AW 35-42	60	90	BT40-H25-40		IWSC3542		1.17
32351409AW	BT40-HBIT25-90	AW 35-42	90	122	BT40-H25-72				1.29
32351412AW	BT40-HBIT25-123	AW 35-42	123	150	BT40-H25-100				1.41
32351414AW	BT40-HBIT25-145	AW 35-42	145	177	BT40-H25-127				1.55
33361407AW	BT40-HBIT32-75	AW 36-45	75	103	BT40-H32-40	HBIT32	IWSC3645	apr32	1.35
33361410AW	BT40-HBIT32-102	AW 36-45	102	135	BT40-H32-72				1.55
33361415AW	BT40-HBIT32-150	AW 36-45	150	183	BT40-H32-120				1.90
33361416AW	BT40-HBIT32-165	AW 36-45	165	198	BT40-H32-135				2.01
33441407AW	BT40-HBIT32-75	AW 44-53	75	103	BT40-H32-40		IWSC4453		1.36
33441410AW	BT40-HBIT32-102	AW 44-53	102	135	BT40-H32-72				1.56
33441415AW	BT40-HBIT32-150	AW 44-53	150	183	BT40-H32-120				1.91
33441416AW	BT40-HBIT32-165	AW 44-53	165	198	BT40-H32-135				2.02
34451407AW	BT40-HBIT40-73	AW 45-56	73	103	BT40-H40-40	HBIT40	IWSC4556	apr40	1.58
34451410AW	BT40-HBIT40-102	AW 45-56	102	135	BT40-H40-72				1.84
34451416AW	BT40-HBIT40-162	AW 45-56	162	193	BT40-H40-130				2.48
34451421AW	BT40-HBIT40-212	AW 45-56	212	248	BT40-H40-185				3.05
34551407AW	BT40-HBIT40-73	AW 55-66	73	103	BT40-H40-40		IWSC5566		1.59
34551410AW	BT40-HBIT40-102	AW 55-66	102	135	BT40-H40-72				1.85
34551416AW	BT40-HBIT40-162	AW 55-66	162	193	BT40-H40-130				2.49
34551421AW	BT40-HBIT40-212	AW 55-66	212	248	BT40-H40-185				3.06
35561410AW	BT40-HBIT50-102	AW 56-74	102	130	BT40-H50-50	HBIT50	IWSC5674	apr50	2.21
35561414AW	BT40-HBIT50-142	AW 56-74	142	170	BT40-H50-90				2.78
35561418AW	BT40-HBIT50-182	AW 56-74	182	210	BT40-H50-130				3.26
35561422AW	BT40-HBIT50-222	AW 56-74	222	250	BT40-H50-170				4.13
35741410AW	BT40-HBIT50-102	AW 74-92	102	130	BT40-H50-50		IWSC7492		2.27
35741414AW	BT40-HBIT50-142	AW 74-92	142	170	BT40-H50-90				2.84
35741418AW	BT40-HBIT50-182	AW 74-92	182	210	BT40-H50-130				3.32
35741422AW	BT40-HBIT50-222	AW 74-92	222	250	BT40-H50-170				4.19
36701410AW	BT40-HBIT63-102	AW 70-90	102	135	BT40-H63-55	HBIT63	IWSC7090	apr63	2.96
36701415AW	BT40-HBIT63-152	AW 70-90	152	185	BT40-H63-105				4.17
36701420AW	BT40-HBIT63-202	AW 70-90	202	235	BT40-H63-155				5.26
36901410AW	BT40-HBIT63-102	AW 90-110	102	135	BT40-H63-55				IWSC90110
36901415AW	BT40-HBIT63-152	AW 90-110	152	185	BT40-H63-105		4.23		
36901420AW	BT40-HBIT63-202	AW 90-110	202	235	BT40-H63-155		5.32		

搪孔刀柄、粗搪孔刀本體、45°正反倒角搪孔刀座、反搪孔壓板 Taper Shank, Body, 45° Chamfer Cutting Insert Holder and Apron



$D_2 > e$
下刀徑: $D_2 \times 2 - D > \text{HBIT}___$

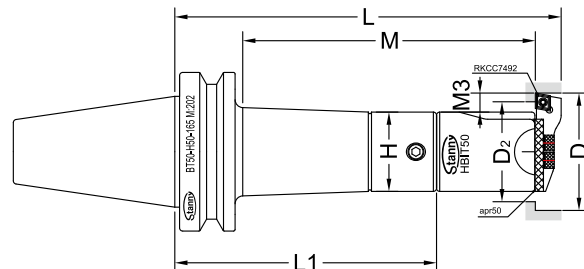
訂貨編號 Order No.	規格 Model	範圍 D Boring Range $\phi\text{DMin}-\phi\text{DMax}$	M	L	粗搪孔系統組合 Adjustable Single Cutter Boring System				淨重 N.W.	
					搪孔刀柄 Taper Shank	粗搪孔刀本體 Boring Head	45°正反倒角刀座 45° Chamfer Cutting Insert Holder	反搪孔壓板 Apron		
38901410AW	BT40-HBIT80-102	AW 90-130	102	135	BT40-H63-55	HBIT80	IWSC90130	apr80	3.45	
38901415AW	BT40-HBIT80-152	AW 90-130	152	185	BT40-H63-105				IWSC130170	4.66
38901420AW	BT40-HBIT80-202	AW 90-130	202	235	BT40-H63-155					5.75
38911410AW	BT40-HBIT80-102	AW 130-170	102	135	BT40-H63-55		IWSC130170			3.51
38911415AW	BT40-HBIT80-152	AW 130-170	152	185	BT40-H63-105				4.72	
38911420AW	BT40-HBIT80-202	AW 130-170	202	235	BT40-H63-155				5.81	
32291510AW	BT50-HBIT25-102	AW 29-36	102	165	BT50-H25-115	HBIT25	IWSC2936	apr25	4.32	
32291512AW	BT50-HBIT25-127	AW 29-36	127	190	BT50-H25-140				IWSC3542	4.47
32291515AW	BT50-HBIT25-152	AW 29-36	152	215	BT50-H25-165					4.57
32351510AW	BT50-HBIT25-102	AW 35-42	102	165	BT50-H25-115		IWSC3542			4.32
32351512AW	BT50-HBIT25-127	AW 35-42	127	190	BT50-H25-140				4.47	
32351515AW	BT50-HBIT25-152	AW 35-42	152	215	BT50-H25-165				4.57	
33361513AW	BT50-HBIT32-135	AW 36-45	135	198	BT50-H32-135	HBIT32	IWSC3645	apr32	4.90	
33361516AW	BT50-HBIT32-165	AW 36-45	165	228	BT50-H32-165				IWSC4453	5.15
33361520AW	BT50-HBIT32-200	AW 36-45	200	263	BT50-H32-200					5.35
33441513AW	BT50-HBIT32-135	AW 44-53	135	198	BT50-H32-135		IWSC4453			4.91
33441516AW	BT50-HBIT32-165	AW 44-53	165	228	BT50-H32-165				5.16	
33441520AW	BT50-HBIT32-200	AW 44-53	200	263	BT50-H32-200				5.36	
34451513AW	BT50-HBIT40-135	AW 45-56	135	198	BT50-H40-135	HBIT40	IWSC4556	apr40	5.43	
34451518AW	BT50-HBIT40-185	AW 45-56	185	248	BT50-H40-185				IWSC5566	5.98
34451522AW	BT50-HBIT40-225	AW 45-56	225	288	BT50-H40-225					6.43
34451526AW	BT50-HBIT40-265	AW 45-56	265	328	BT50-H40-265		IWSC5566			6.83
34551513AW	BT50-HBIT40-135	AW 55-66	135	198	BT50-H40-135				5.44	
34551518AW	BT50-HBIT40-185	AW 55-66	185	248	BT50-H40-185				5.99	
34551522AW	BT50-HBIT40-225	AW 55-66	225	288	BT50-H40-225	IWSC5566	6.44			
34551526AW	BT50-HBIT40-265	AW 55-66	265	328	BT50-H40-265		6.84			
35561510AW	BT50-HBIT50-102	AW 56-74	102	145	BT50-H50-65		HBIT50	IWSC5674	apr50	4.86
35561520AW	BT50-HBIT50-202	AW 56-74	202	245	BT50-H50-165	IWSC7492				6.41
35561525AW	BT50-HBIT50-252	AW 56-74	252	295	BT50-H50-215					7.36
35561530AW	BT50-HBIT50-302	AW 56-74	302	345	BT50-H50-265			IWSC7492		8.26
35741510AW	BT50-HBIT50-102	AW 74-92	102	145	BT50-H50-65	4.89				
35741520AW	BT50-HBIT50-202	AW 74-92	202	245	BT50-H50-165	6.44				
35741525AW	BT50-HBIT50-252	AW 74-92	252	295	BT50-H50-215	IWSC7492	7.39			
35741530AW	BT50-HBIT50-302	AW 74-92	302	345	BT50-H50-265		8.29			



訂貨編號 Order No.	規格 Model	範圍 D Boring Range øDMin-øDMax	M	L	粗搪孔系統組合 Adjustable Single Cutter Boring System				淨重 N.W.
					搪孔刀柄 Taper Shank	粗搪孔刀本體 Boring Head	45°正反倒角刀座 45° Chamfer Cutting Insert Holder	反搪孔壓板 Apron	
36701512AW	BT50-HBIT63-122	AW 70-90	122	165	BT50-H63-85	HBIT63	IWSC7492	apr63	6.02
36701520AW	BT50-HBIT63-202	AW 70-90	202	245	BT50-H63-165				7.92
36701525AW	BT50-HBIT63-252	AW 70-90	252	295	BT50-H63-215				9.47
36701530AW	BT50-HBIT63-302	AW 70-90	302	345	BT50-H63-265				10.42
36701535AW	BT50-HBIT63-352	AW 70-90	352	395	BT50-H63-315				13.67
36901512AW	BT50-HBIT63-122	AW 90-110	122	165	BT50-H63-85		IWSC90110	apr63	6.08
36901520AW	BT50-HBIT63-202	AW 90-110	202	245	BT50-H63-165				7.98
36901525AW	BT50-HBIT63-252	AW 90-110	252	295	BT50-H63-215				9.53
36901530AW	BT50-HBIT63-302	AW 90-110	302	345	BT50-H63-265				10.48
36901535AW	BT50-HBIT63-352	AW 90-110	352	395	BT50-H63-315				13.73
38901512AW	BT50-HBIT80-122	AW 90-130	122	165	BT50-H63-85	HBIT80	IWSC90130	apr80	6.51
38901520AW	BT50-HBIT80-202	AW 90-130	202	245	BT50-H63-165				8.41
38901525AW	BT50-HBIT80-252	AW 90-130	252	295	BT50-H63-215				9.96
38901530AW	BT50-HBIT80-302	AW 90-130	302	345	BT50-H63-265				10.91
38901535AW	BT50-HBIT80-352	AW 90-130	352	395	BT50-H63-315				14.16
38911512AW	BT50-HBIT80-122	AW 130-170	122	165	BT50-H63-85		IWSC130170	apr80	6.57
38911520AW	BT50-HBIT80-202	AW 130-170	202	245	BT50-H63-165				8.47
38911525AW	BT50-HBIT80-252	AW 130-170	252	295	BT50-H63-215				10.02
38911530AW	BT50-HBIT80-302	AW 130-170	302	345	BT50-H63-265				10.97
38911535AW	BT50-HBIT80-352	AW 130-170	352	395	BT50-H63-315				14.22
38901510EAW	BT50-HBIT80E-102	AW 90-130	102	150	BT50-H80-70	HBIT80E	IWSC90130	apr80	6.67
38901515EAW	BT50-HBIT80E-152	AW 90-130	152	195	BT50-H80-115				8.22
38901520EAW	BT50-HBIT80E-202	AW 90-130	202	245	BT50-H80-165				9.92
38901525EAW	BT50-HBIT80E-252	AW 90-130	252	295	BT50-H80-215				11.67
38901530EAW	BT50-HBIT80E-302	AW 90-130	302	345	BT50-H80-265				13.42
38901535EAW	BT50-HBIT80E-352	AW 90-130	352	395	BT50-H80-315		IWSC130170	apr80	15.12
38911510EAW	BT50-HBIT80E-102	AW 130-170	102	150	BT50-H80-70				6.73
38911515EAW	BT50-HBIT80E-152	AW 130-170	152	195	BT50-H80-115				8.28
38911520EAW	BT50-HBIT80E-202	AW 130-170	202	245	BT50-H80-165				9.98
38911525EAW	BT50-HBIT80E-252	AW 130-170	252	295	BT50-H80-215				11.73
38911530EAW	BT50-HBIT80E-302	AW 130-170	302	345	BT50-H80-265	IWSC130170	apr80	13.48	
38911535EAW	BT50-HBIT80E-352	AW 130-170	352	395	BT50-H80-315			15.18	
39131510EAW	BT50-HBIT120E-102	AW 130-190	102	146	BT50-H80-70	HBIT120E	IWSC130190	apr120	8.43
39131515EAW	BT50-HBIT120E-152	AW 130-190	152	191	BT50-H80-115				9.98
39131520EAW	BT50-HBIT120E-202	AW 130-190	202	241	BT50-H80-165				11.68
39131525EAW	BT50-HBIT120E-252	AW 130-190	252	291	BT50-H80-215				13.43
39131530EAW	BT50-HBIT120E-302	AW 130-190	302	341	BT50-H80-265				15.18
39131535EAW	BT50-HBIT120E-352	AW 130-190	352	391	BT50-H80-315		IWSC170230	apr120	16.88
39171510EAW	BT50-HBIT120E-102	AW 170-230	102	146	BT50-H80-70				8.54
39171515EAW	BT50-HBIT120E-152	AW 170-230	152	191	BT50-H80-115				10.09
39171520EAW	BT50-HBIT120E-202	AW 170-230	202	241	BT50-H80-165				11.79
39171525EAW	BT50-HBIT120E-252	AW 170-230	252	291	BT50-H80-215				13.54
39171530EAW	BT50-HBIT120E-302	AW 170-230	302	341	BT50-H80-265	IWSC170230	apr120	15.29	
39171535EAW	BT50-HBIT120E-352	AW 170-230	352	391	BT50-H80-315			16.99	
39131515AW	BT50-HBIT120-150	AW 130-190	150	200	BT50-H100-100	HBIT120	IWSC130190	apr120	12.43
39131520AW	BT50-HBIT120-200	AW 130-190	200	250	BT50-H100-150				15.08
39131525AW	BT50-HBIT120-250	AW 130-190	250	300	BT50-H100-200				18.03
39131530AW	BT50-HBIT120-300	AW 130-190	300	350	BT50-H100-250				20.98
39171515AW	BT50-HBIT120-150	AW 170-230	150	200	BT50-H100-100				12.54
39171520AW	BT50-HBIT120-200	AW 170-230	200	250	BT50-H100-150		IWSC170230	apr120	15.19
39171525AW	BT50-HBIT120-250	AW 170-230	250	300	BT50-H100-200				18.14
39171530AW	BT50-HBIT120-300	AW 170-230	300	350	BT50-H100-250				21.09



搪孔刀柄、粗搪孔刀本體、粗搪孔反搪刀座、反搪孔壓板 Taper Shank, Body, Reverse Cutting Insert Holder and Apron



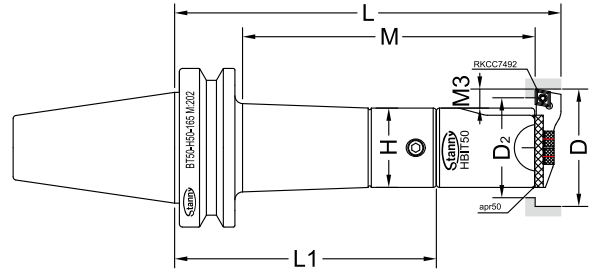
$D_2 > e$
下刀徑: $D_2 \times 2 - D > \text{HBIT}___$

整支 SET

MAS403 BT-HBIT 粗搪孔刀—反搪-AK type

MAS403 BT and HBIT Adjustable Single Reverse Cutter Boring Head

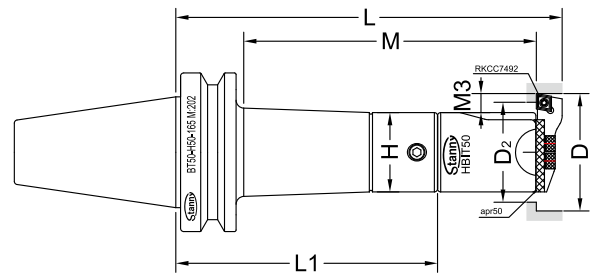
訂貨編號 Order No.	規 格 Model	範 圍 D Boring Range øDMin-øDMax	M3	M	L	粗搪孔反搪系統組合 Adjustable Single Reverse Cutter Boring System				淨 重 N.W.
						搪孔刀柄 Taper Shank	粗搪孔刀本體 Boring Head	粗搪孔反搪刀座 Reverse Cutting Insert Holder	反搪孔壓板 Apron	
32291404AK	BT40-HBIT25-48	AK 29-36	2-5	48	91	BT40-H25-40	HBIT25	RKCC2936	apr25	1.17
32291408AK	BT40-HBIT25-82	AK 29-36	2-5	82	123	BT40-H25-72				1.29
32291411AK	BT40-HBIT25-111	AK 29-36	2-5	111	151	BT40-H25-100				1.41
32291413AK	BT40-HBIT25-138	AK 29-36	2-5	138	178	BT40-H25-127				1.55
32351404AK	BT40-HBIT25-48	AK 35-42	5-8	48	91	BT40-H25-40		1.18		
32351408AK	BT40-HBIT25-82	AK 35-42	5-8	82	123	BT40-H25-72		1.30		
32351411AK	BT40-HBIT25-111	AK 35-42	5-8	111	151	BT40-H25-100		1.42		
32351413AK	BT40-HBIT25-138	AK 35-42	5-8	138	178	BT40-H25-127		1.56		
32411404AK	BT40-HBIT25-48	AK 41-48	8-11	48	91	BT40-H25-40		1.17		
32411408AK	BT40-HBIT25-82	AK 41-48	8-11	82	123	BT40-H25-72		1.29		
32411411AK	BT40-HBIT25-111	AK 41-48	8-11	111	151	BT40-H25-100	1.41			
32411413AK	BT40-HBIT25-138	AK 41-48	8-11	138	178	BT40-H25-127	1.55			
32471404AK	BT40-HBIT25-48	AK 47-54	11-14	48	91	BT40-H25-40	1.17			
32471408AK	BT40-HBIT25-82	AK 47-54	11-14	82	123	BT40-H25-72	1.29			
32471411AK	BT40-HBIT25-111	AK 47-54	11-14	111	151	BT40-H25-100	1.41			
32471413AK	BT40-HBIT25-138	AK 47-54	11-14	138	178	BT40-H25-127	1.55			
33361405AK	BT40-HBIT32-58	AK 36-45	2-6	58	101	BT40-H32-40	HBIT32	RKCC3645	apr32	1.36
33361409AK	BT40-HBIT32-91	AK 36-45	2-6	91	133	BT40-H32-72				1.56
33361413AK	BT40-HBIT32-139	AK 36-45	2-6	139	181	BT40-H32-120				1.91
33361415AK	BT40-HBIT32-154	AK 36-45	2-6	154	196	BT40-H32-135				2.02
33441405AK	BT40-HBIT32-58	AK 44-53	6-10	58	101	BT40-H32-40		1.36		
33441409AK	BT40-HBIT32-91	AK 44-53	6-10	91	133	BT40-H32-72		1.56		
33441413AK	BT40-HBIT32-138	AK 44-53	6-10	138	181	BT40-H32-120		1.91		
33441415AK	BT40-HBIT32-154	AK 44-53	6-10	154	196	BT40-H32-135		2.02		
33531405AK	BT40-HBIT32-58	AK 53-62	10-15	58	101	BT40-H32-40		1.36		
33531409AK	BT40-HBIT32-91	AK 53-62	10-15	91	133	BT40-H32-72		1.56		
33531413AK	BT40-HBIT32-139	AK 53-62	10-15	139	181	BT40-H32-120	1.91			
33531415AK	BT40-HBIT32-154	AK 53-62	10-15	154	196	BT40-H32-135	2.02			
33611405AK	BT40-HBIT32-58	AK 61-70	14-19	58	101	BT40-H32-40	1.36			
33611409AK	BT40-HBIT32-91	AK 61-70	14-19	91	133	BT40-H32-72	1.56			
33611413AK	BT40-HBIT32-138	AK 61-70	14-19	138	181	BT40-H32-120	1.91			
33611415AK	BT40-HBIT32-154	AK 61-70	14-19	154	196	BT40-H32-135	2.02			



$D_2 > e$
下刀徑: $D_2 \times 2 - D > \text{HBIT_}$

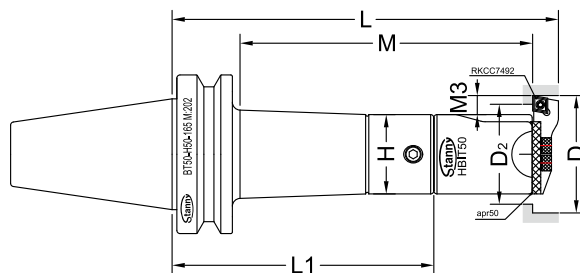
訂貨編號 Order No.	規格 Model	範圍 D Boring Range øDMin-øDMax	M3	M	L	粗搪孔反搪系統組合 Adjustable Single Reverse Cutter Boring System				淨重 N.W.
						搪孔刀柄 Taper Shank	粗搪孔刀本體 Boring Head	粗搪孔反搪刀座 Reverse Cutting Insert Holder	反搪孔壓板 Apron	
34451405AK	BT40-HBIT40-59	AK 45-56	2-8	59	103	BT40-H40-40	HBIT40	RKCC4556	apr40	1.59
34451409AK	BT40-HBIT40-90	AK 45-56	2-8	90	135	BT40-H40-72				1.85
34451414AK	BT40-HBIT40-147	AK 45-56	2-8	147	193	BT40-H40-130				2.49
34451420AK	BT40-HBIT40-202	AK 45-56	2-8	202	248	BT40-H40-185				3.06
34551405AK	BT40-HBIT40-59	AK 55-66	7-13	59	103	BT40-H40-40				1.60
34551409AK	BT40-HBIT40-90	AK 55-66	7-13	90	135	BT40-H40-72		1.86		
34551414AK	BT40-HBIT40-147	AK 55-66	7-13	147	193	BT40-H40-130		2.50		
34551420AK	BT40-HBIT40-202	AK 55-66	7-13	202	248	BT40-H40-185		3.07		
34651405AK	BT40-HBIT40-59	AK 65-76	12-18	59	103	BT40-H40-40		1.60		
34651409AK	BT40-HBIT40-90	AK 65-76	12-18	90	135	BT40-H40-72		1.86		
34651414AK	BT40-HBIT40-147	AK 65-76	12-18	147	193	BT40-H40-130		2.50		
34651420AK	BT40-HBIT40-202	AK 65-76	12-18	202	248	BT40-H40-185		3.07		
34751405AK	BT40-HBIT40-59	AK 75-86	17-23	59	103	BT40-H40-40		1.61		
34751409AK	BT40-HBIT40-90	AK 75-86	17-23	90	135	BT40-H40-72		1.87		
34751414AK	BT40-HBIT40-147	AK 75-86	17-23	147	193	BT40-H40-130		2.51		
34751420AK	BT40-HBIT40-202	AK 75-86	17-23	202	248	BT40-H40-185	3.08			
34851405AK	BT40-HBIT40-59	AK 85-96	22-28	59	103	BT40-H40-40	1.62			
34851409AK	BT40-HBIT40-90	AK 85-96	22-28	90	135	BT40-H40-72	1.88			
34851414AK	BT40-HBIT40-147	AK 85-96	22-28	147	193	BT40-H40-130	2.52			
34851420AK	BT40-HBIT40-202	AK 85-96	22-28	202	248	BT40-H40-185	3.09			
35561408AK	BT40-HBIT50-84	AK 56-74	3-12	84	129	BT40-H50-50	HBIT50	RKCC5674	apr50	2.22
35561412AK	BT40-HBIT50-122	AK 56-74	3-12	122	169	BT40-H50-90				2.79
35561416AK	BT40-HBIT50-162	AK 56-74	3-12	162	209	BT40-H50-130				3.27
35561420AK	BT40-HBIT50-202	AK 56-74	3-12	202	249	BT40-H50-170				4.14
35741408AK	BT40-HBIT50-84	AK 74-92	12-21	84	129	BT40-H50-50				2.24
35741412AK	BT40-HBIT50-122	AK 74-92	12-21	122	169	BT40-H50-90		2.81		
35741416AK	BT40-HBIT50-162	AK 74-92	12-21	162	209	BT40-H50-130		3.29		
35741420AK	BT40-HBIT50-202	AK 74-92	12-21	202	249	BT40-H50-170		4.16		
35751408AK	BT40-HBIT50-84	AK 92-110	21-30	84	131	BT40-H50-50		2.28		
35751412AK	BT40-HBIT50-122	AK 92-110	21-30	122	171	BT40-H50-90		2.85		
35751416AK	BT40-HBIT50-162	AK 92-110	21-30	162	211	BT40-H50-130		3.33		
35751420AK	BT40-HBIT50-202	AK 92-110	21-30	202	251	BT40-H50-170		4.20		
35761408AK	BT40-HBIT50-84	AK 110-128	30-39	84	131	BT40-H50-50		2.30		
35761412AK	BT40-HBIT50-122	AK 110-128	30-39	122	171	BT40-H50-90		2.87		
35761416AK	BT40-HBIT50-162	AK 110-128	30-39	162	211	BT40-H50-130		3.35		
35761420AK	BT40-HBIT50-202	AK 110-128	30-39	202	251	BT40-H50-170	4.22			
35771408AK	BT40-HBIT50-84	AK 128-146	39-48	84	131	BT40-H50-50	2.30			
35771412AK	BT40-HBIT50-122	AK 128-146	39-48	122	171	BT40-H50-90	2.87			
35771416AK	BT40-HBIT50-162	AK 128-146	39-48	162	211	BT40-H50-130	3.35			
35771420AK	BT40-HBIT50-202	AK 128-146	39-48	202	251	BT40-H50-170	4.22			

搪孔刀柄、粗搪孔刀本體、粗搪孔反搪刀座、反搪孔壓板 Taper Shank, Body, Reverse Cutting Insert Holder and Apron



$D_2 > e$
下刀徑: $D_2 \times 2 - D > \text{HBIT}_$

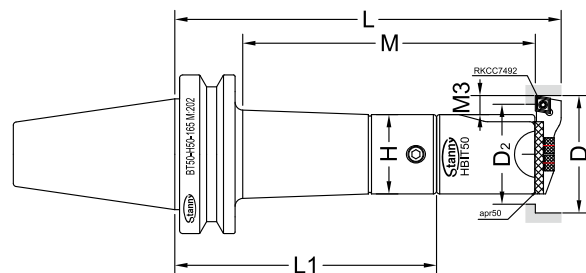
訂貨編號 Order No.	規格 Model	範圍 D Boring Range $\phi\text{Min}-\phi\text{Max}$	M3	M	L	粗搪孔反搪系統組合 Adjustable Single Reverse Cutter Boring System				淨重 N.W.
						搪孔刀柄 Taper Shank	粗搪孔刀本體 Boring Head	粗搪孔反搪刀座 Reverse Cutting Insert Holder	反搪孔壓板 Apron	
36701408AK	BT40-HBIT63-86	AK 70-90	3-13	86	135	BT40-H63-55	HBIT63	RKCC7090	apr63	2.98
36701413AK	BT40-HBIT63-136	AK 70-90	3-13	136	185	BT40-H63-105				4.19
36701418AK	BT40-HBIT63-186	AK 70-90	3-13	186	235	BT40-H63-155				5.28
36901408AK	BT40-HBIT63-86	AK 90-110	13-23	86	135	BT40-H63-55				3.03
36901413AK	BT40-HBIT63-136	AK 90-110	13-23	136	185	BT40-H63-105				4.24
36901418AK	BT40-HBIT63-186	AK 90-110	13-23	186	235	BT40-H63-155				5.33
36911408AK	BT40-HBIT63-86	AK 110-130	23-33	86	137	BT40-H63-55				3.09
36911413AK	BT40-HBIT63-136	AK 110-130	23-33	136	187	BT40-H63-105				4.30
36911418AK	BT40-HBIT63-186	AK 110-130	23-33	186	237	BT40-H63-155				5.39
36921408AK	BT40-HBIT63-86	AK 130-150	33-43	86	137	BT40-H63-55				3.13
36921413AK	BT40-HBIT63-136	AK 130-150	33-43	136	187	BT40-H63-105				4.34
36921418AK	BT40-HBIT63-186	AK 130-150	33-43	186	237	BT40-H63-155				5.43
36931408AK	BT40-HBIT63-86	AK 150-170	43-53	86	137	BT40-H63-55				3.18
36931413AK	BT40-HBIT63-136	AK 150-170	43-53	136	187	BT40-H63-105				4.39
36931418AK	BT40-HBIT63-186	AK 150-170	43-53	186	237	BT40-H63-155	5.48			
38901408AK	BT40-HBIT80-86	AK 90-130	5-25	86	135	BT40-H63-55	HBIT80	RKCC90130	apr80	3.47
38901413AK	BT40-HBIT80-136	AK 90-130	5-25	136	185	BT40-H63-105				4.68
38901418AK	BT40-HBIT80-186	AK 90-130	5-25	186	235	BT40-H63-155				5.77
38911408AK	BT40-HBIT80-86	AK 130-170	25-45	86	135	BT40-H63-55				3.54
38911413AK	BT40-HBIT80-136	AK 130-170	25-45	136	185	BT40-H63-105				4.75
38911418AK	BT40-HBIT80-186	AK 130-170	25-45	186	235	BT40-H63-155				5.84
38921408AK	BT40-HBIT80-86	AK 170-210	45-65	86	137	BT40-H63-55				3.65
38921413AK	BT40-HBIT80-136	AK 170-210	45-65	136	187	BT40-H63-105				4.86
38921418AK	BT40-HBIT80-186	AK 170-210	45-65	186	237	BT40-H63-155				5.95
32291509AK	BT50-HBIT25-92	AK 29-36	2-5	92	166	BT50-H25-115				HBIT25
32291511AK	BT50-HBIT25-117	AK 29-36	2-5	117	191	BT50-H25-140	4.47			
32291514AK	BT50-HBIT25-142	AK 29-36	2-5	142	216	BT50-H25-165	4.57			
32351509AK	BT50-HBIT25-92	AK 35-42	5-8	92	166	BT50-H25-115	4.33			
32351511AK	BT50-HBIT25-117	AK 35-42	5-8	117	191	BT50-H25-140	4.48			
32351514AK	BT50-HBIT25-142	AK 35-42	5-8	142	216	BT50-H25-165	4.58			
32411509AK	BT50-HBIT25-92	AK 41-48	8-11	92	166	BT50-H25-115	4.32			
32411511AK	BT50-HBIT25-117	AK 41-48	8-11	117	191	BT50-H25-140	4.47			
32411514AK	BT50-HBIT25-142	AK 41-48	8-11	142	216	BT50-H25-165	4.57			
32471509AK	BT50-HBIT25-92	AK 47-54	11-14	92	166	BT50-H25-115	4.33			
32471511AK	BT50-HBIT25-117	AK 47-54	11-14	117	191	BT50-H25-140	4.48			
32471514AK	BT50-HBIT25-142	AK 47-54	11-14	142	216	BT50-H25-165	4.58			
32471509AK	BT50-HBIT25-92	AK 47-54	11-14	92	166	BT50-H25-115	4.33			
32471511AK	BT50-HBIT25-117	AK 47-54	11-14	117	191	BT50-H25-140	4.48			
32471514AK	BT50-HBIT25-142	AK 47-54	11-14	142	216	BT50-H25-165	4.58			



$D_2 > e$
下刀徑: $D_2 \times 2 - D > \text{HBIT}__$

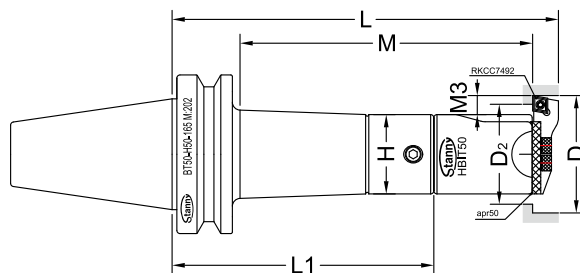
訂貨編號 Order No.	規格 Model	範圍 D Boring Range $\phi D_{\text{Min}} - \phi D_{\text{Max}}$	M3	M	L	粗搪孔反搪系統組合 Adjustable Single Reverse Cutter Boring System				淨重 N.W.	
						搪孔刀柄 Taper Shank	粗搪孔刀本體 Boring Head	粗搪孔反搪刀座 Reverse Cutting Insert Holder	反搪孔壓板 Apron		
33361512AK	BT50-HBIT32-122	AK 36-45	2-6	122	196	BT50-H32-135	HBIT32	RKCC3645	apr32	4.91	
33361515AK	BT50-HBIT32-152	AK 36-45	2-6	152	226	BT50-H32-165				RKCC4453	5.16
33361518AK	BT50-HBIT32-187	AK 36-45	2-6	187	261	BT50-H32-200					5.36
33441512AK	BT50-HBIT32-122	AK 44-53	6-10	122	196	BT50-H32-135		RKCC5362		4.91	
33441515AK	BT50-HBIT32-152	AK 44-53	6-10	152	226	BT50-H32-165				5.16	
33441518AK	BT50-HBIT32-187	AK 44-53	6-10	187	261	BT50-H32-200		RKCC6170		5.36	
33531512AK	BT50-HBIT32-122	AK 53-62	10-15	122	196	BT50-H32-135				4.91	
33531515AK	BT50-HBIT32-152	AK 53-62	10-15	152	226	BT50-H32-165		5.16			
33531518AK	BT50-HBIT32-187	AK 53-62	10-15	187	261	BT50-H32-200		5.36			
33611512AK	BT50-HBIT32-122	AK 61-70	14-19	122	196	BT50-H32-135		RKCC7586		4.91	
33611515AK	BT50-HBIT32-152	AK 61-70	14-19	152	226	BT50-H32-165				5.16	
33611518AK	BT50-HBIT32-187	AK 61-70	14-19	187	261	BT50-H32-200				5.36	
34451512AK	BT50-HBIT40-120	AK 45-56	2-8	120	198	BT50-H40-135	HBIT40	RKCC4556	apr40	5.44	
34451517AK	BT50-HBIT40-170	AK 45-56	2-8	170	248	BT50-H40-185				RKCC5566	5.99
34451521AK	BT50-HBIT40-210	AK 45-56	2-8	210	288	BT50-H40-225					6.44
34451525AK	BT50-HBIT40-250	AK 45-56	2-8	250	328	BT50-H40-265		RKCC6576		6.84	
34551512AK	BT50-HBIT40-120	AK 55-66	7-13	120	198	BT50-H40-135				5.45	
34551517AK	BT50-HBIT40-170	AK 55-66	7-13	170	248	BT50-H40-185		RKCC7586		6.00	
34551521AK	BT50-HBIT40-210	AK 55-66	7-13	210	288	BT50-H40-225				6.45	
34551525AK	BT50-HBIT40-250	AK 55-66	7-13	250	328	BT50-H40-265		6.85			
34651512AK	BT50-HBIT40-120	AK 65-76	12-18	120	198	BT50-H40-135		RKCC8596		5.45	
34651517AK	BT50-HBIT40-170	AK 65-76	12-18	170	248	BT50-H40-185				6.00	
34651521AK	BT50-HBIT40-210	AK 65-76	12-18	210	288	BT50-H40-225		RKCC8596		6.45	
34651525AK	BT50-HBIT40-250	AK 65-76	12-18	250	328	BT50-H40-265				6.85	
34751512AK	BT50-HBIT40-120	AK 75-86	17-23	120	198	BT50-H40-135	RKCC8596	5.46			
34751517AK	BT50-HBIT40-170	AK 75-86	17-23	170	248	BT50-H40-185		6.01			
34751521AK	BT50-HBIT40-210	AK 75-86	17-23	210	288	BT50-H40-225		6.46			
34751525AK	BT50-HBIT40-250	AK 75-86	17-23	250	328	BT50-H40-265	RKCC8596	6.86			
34851512AK	BT50-HBIT40-120	AK 85-96	22-28	120	198	BT50-H40-135		5.47			
34851517AK	BT50-HBIT40-170	AK 85-96	22-28	170	248	BT50-H40-185		6.02			
34851521AK	BT50-HBIT40-210	AK 85-96	22-28	210	288	BT50-H40-225	RKCC8596	6.47			
34851525AK	BT50-HBIT40-250	AK 85-96	22-28	250	328	BT50-H40-265		6.87			

搪孔刀柄、粗搪孔刀本體、粗搪孔反搪刀座、反搪孔壓板 Taper Shank, Body, Reverse Cutting Insert Holder and Apron



$D_2 > e$
下刀徑: $D_2 \times 2 - D > \text{HBIT}_$

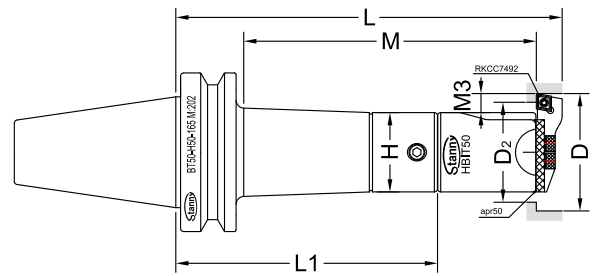
訂貨編號 Order No.	規格 Model	範圍 D Boring Range $\phi D_{\text{Min}} - \phi D_{\text{Max}}$	M3	M	L	粗搪孔反搪系統組合 Adjustable Single Reverse Cutter Boring System				淨重 N.W.
						搪孔刀柄 Taper Shank	粗搪孔刀本體 Boring Head	粗搪孔反搪刀座 Reverse Cutting Insert Holder	反搪孔壓板 Apron	
35561508AK	BT50-HBIT50-84	AK 56-74	3-12	84	144	BT50-H50-65	HBIT50	RKCC5674	apr50	4.87
35561518AK	BT50-HBIT50-184	AK 56-74	3-12	184	244	BT50-H50-165				6.42
35561523AK	BT50-HBIT50-234	AK 56-74	3-12	234	294	BT50-H50-215				7.37
35561528AK	BT50-HBIT50-284	AK 56-74	3-12	284	344	BT50-H50-265				8.27
35741508AK	BT50-HBIT50-84	AK 74-92	12-21	84	144	BT50-H50-65		RKCC7492	apr50	4.89
35741518AK	BT50-HBIT50-184	AK 74-92	12-21	184	244	BT50-H50-165				6.44
35741523AK	BT50-HBIT50-234	AK 74-92	12-21	234	294	BT50-H50-215				7.39
35741528AK	BT50-HBIT50-284	AK 74-92	12-21	284	344	BT50-H50-265				8.29
35751508AK	BT50-HBIT50-86	AK 92-110	21-30	86	146	BT50-H50-65		RKCC92110	apr50	4.93
35751518AK	BT50-HBIT50-186	AK 92-110	21-30	186	246	BT50-H50-165				6.48
35751523AK	BT50-HBIT50-236	AK 92-110	21-30	236	296	BT50-H50-215				7.43
35751528AK	BT50-HBIT50-286	AK 92-110	21-30	286	346	BT50-H50-265				8.33
35761508AK	BT50-HBIT50-86	AK 110-128	30-39	86	146	BT50-H50-65		RKCC110128	apr50	4.95
35761518AK	BT50-HBIT50-186	AK 110-128	30-39	186	246	BT50-H50-165				6.50
35761523AK	BT50-HBIT50-236	AK 110-128	30-39	236	296	BT50-H50-215				7.45
35761528AK	BT50-HBIT50-286	AK 110-128	30-39	286	346	BT50-H50-265				8.35
35771508AK	BT50-HBIT50-86	AK 128-146	39-48	86	146	BT50-H50-65	RKCC128146	apr50	4.97	
35771518AK	BT50-HBIT50-186	AK 128-146	39-48	186	246	BT50-H50-165			6.52	
35771523AK	BT50-HBIT50-236	AK 128-146	39-48	236	296	BT50-H50-215			7.47	
35771528AK	BT50-HBIT50-286	AK 128-146	39-48	286	346	BT50-H50-265			8.37	
36701510AK	BT50-HBIT63-100	AK 70-90	3-13	100	165	BT50-H63-85	HBIT63	RKCC7090	apr63	6.04
36701518AK	BT50-HBIT63-180	AK 70-90	3-13	180	245	BT50-H63-165				7.94
36701523AK	BT50-HBIT63-230	AK 70-90	3-13	230	295	BT50-H63-215				9.49
36701528AK	BT50-HBIT63-280	AK 70-90	3-13	280	345	BT50-H63-265				10.44
36701533AK	BT50-HBIT63-330	AK 70-90	3-13	330	395	BT50-H63-315		13.69		
36901510AK	BT50-HBIT63-100	AK 90-110	13-23	100	165	BT50-H63-85		RKCC90110	apr63	6.09
36901518AK	BT50-HBIT63-180	AK 90-110	13-23	180	245	BT50-H63-165				7.99
36901523AK	BT50-HBIT63-230	AK 90-110	13-23	230	295	BT50-H63-215				9.54
36901528AK	BT50-HBIT63-280	AK 90-110	13-23	280	345	BT50-H63-265				10.49
36901533AK	BT50-HBIT63-330	AK 90-110	13-23	330	395	BT50-H63-315		13.74		
36911510AK	BT50-HBIT63-102	AK 110-130	23-33	102	167	BT50-H63-85		RKCC110130	apr63	6.15
36911518AK	BT50-HBIT63-182	AK 110-130	23-33	182	247	BT50-H63-165				8.05
36911523AK	BT50-HBIT63-232	AK 110-130	23-33	232	297	BT50-H63-215				9.60
36911528AK	BT50-HBIT63-282	AK 110-130	23-33	282	347	BT50-H63-265				10.55
36911533AK	BT50-HBIT63-332	AK 110-130	23-33	332	397	BT50-H63-315		13.80		
36921510AK	BT50-HBIT63-102	AK 130-150	33-43	102	167	BT50-H63-85		RKCC130150	apr63	6.19
36921518AK	BT50-HBIT63-182	AK 130-150	33-43	182	247	BT50-H63-165	8.09			
36921523AK	BT50-HBIT63-232	AK 130-150	33-43	232	297	BT50-H63-215	9.64			
36921528AK	BT50-HBIT63-282	AK 130-150	33-43	282	347	BT50-H63-265	10.59			
36921533AK	BT50-HBIT63-332	AK 130-150	33-43	332	397	BT50-H63-315	13.84			
36931510AK	BT50-HBIT63-102	AK 150-170	43-53	102	167	BT50-H63-85	RKCC150170	apr63	6.24	
36931518AK	BT50-HBIT63-182	AK 150-170	43-53	182	247	BT50-H63-165			8.14	
36931523AK	BT50-HBIT63-232	AK 150-170	43-53	232	297	BT50-H63-215			9.69	
36931528AK	BT50-HBIT63-282	AK 150-170	43-53	282	347	BT50-H63-265			10.64	
36931533AK	BT50-HBIT63-332	AK 150-170	43-53	332	397	BT50-H63-315	13.89			



$D_2 > e$
下刀徑: $D_2 \times 2 - D > \text{HBIT}__$

訂貨編號 Order No.	規格 Model	範圍 D Boring Range $\phi D_{\text{Min}} - \phi D_{\text{Max}}$	M3	M	L	粗搪孔反搪系統組合 Adjustable Single Reverse Cutter Boring System				淨重 N.W.
						搪孔刀柄 Taper Shank	粗搪孔刀本體 Boring Head	粗搪孔反搪刀座 Reverse Cutting Insert Holder	反搪孔壓板 Apron	
38901510AK	BT50-HBIT80-100	AK 90-130	5-25	100	165	BT50-H63-85	HBIT80	RKCC90130	apr80	6.53
38901518AK	BT50-HBIT80-180	AK 90-130	5-25	180	245	BT50-H63-165				8.43
38901523AK	BT50-HBIT80-230	AK 90-130	5-25	230	295	BT50-H63-215				9.98
38901528AK	BT50-HBIT80-280	AK 90-130	5-25	280	345	BT50-H63-265				10.93
38901533AK	BT50-HBIT80-330	AK 90-130	5-25	330	395	BT50-H63-315				14.18
38911510AK	BT50-HBIT80-100	AK 130-170	25-45	100	165	BT50-H63-85				6.60
38911518AK	BT50-HBIT80-180	AK 130-170	25-45	180	245	BT50-H63-165		8.50		
38911523AK	BT50-HBIT80-230	AK 130-170	25-45	230	295	BT50-H63-215		10.05		
38911528AK	BT50-HBIT80-280	AK 130-170	25-45	280	345	BT50-H63-265		11.00		
38911533AK	BT50-HBIT80-330	AK 130-170	25-45	330	395	BT50-H63-315		14.25		
38921510AK	BT50-HBIT80-102	AK 170-210	45-65	102	167	BT50-H63-85		RKCC170210	apr80	6.71
38921518AK	BT50-HBIT80-182	AK 170-210	45-65	182	247	BT50-H63-165				8.61
38921523AK	BT50-HBIT80-232	AK 170-210	45-65	232	297	BT50-H63-215	10.16			
38921528AK	BT50-HBIT80-282	AK 170-210	45-65	282	347	BT50-H63-265	11.11			
38921533AK	BT50-HBIT80-332	AK 170-210	45-65	332	397	BT50-H63-315	14.36			
38901508EAK	BT50-HBIT80E-85	AK 90-130	5-25	85	150	BT50-H80-70	HBIT80E			RKCC90130
38901513EAK	BT50-HBIT80E-130	AK 90-130	5-25	130	195	BT50-H80-115		8.22		
38901518EAK	BT50-HBIT80E-180	AK 90-130	5-25	180	245	BT50-H80-165		9.92		
38901523EAK	BT50-HBIT80E-230	AK 90-130	5-25	230	295	BT50-H80-215		11.67		
38901528EAK	BT50-HBIT80E-280	AK 90-130	5-25	280	345	BT50-H80-265		13.42		
38901533EAK	BT50-HBIT80E-330	AK 90-130	5-25	330	395	BT50-H80-315		15.12		
38911508EAK	BT50-HBIT80E-85	AK 130-170	25-45	85	150	BT50-H80-70		6.73		
38911513EAK	BT50-HBIT80E-130	AK 130-170	25-45	130	195	BT50-H80-115		8.28		
38911518EAK	BT50-HBIT80E-180	AK 130-170	25-45	180	245	BT50-H80-165		9.98		
38911523EAK	BT50-HBIT80E-230	AK 130-170	25-45	230	295	BT50-H80-215		11.73		
38911528EAK	BT50-HBIT80E-280	AK 130-170	25-45	280	345	BT50-H80-265		13.48		
38911533EAK	BT50-HBIT80E-330	AK 130-170	25-45	330	395	BT50-H80-315		15.18		
38921508EAK	BT50-HBIT80E-87	AK 170-210	45-65	87	152	BT50-H80-70	RKCC170210	apr80	6.87	
38921513EAK	BT50-HBIT80E-132	AK 170-210	45-65	132	197	BT50-H80-115			8.42	
38921518EAK	BT50-HBIT80E-182	AK 170-210	45-65	182	247	BT50-H80-165			10.12	
38921523EAK	BT50-HBIT80E-232	AK 170-210	45-65	232	297	BT50-H80-215			11.87	
38921528EAK	BT50-HBIT80E-282	AK 170-210	45-65	282	347	BT50-H80-265			13.62	
38921533EAK	BT50-HBIT80E-332	AK 170-210	45-65	332	397	BT50-H80-315			15.32	

搪孔刀柄、粗搪孔刀本體、粗搪孔反搪刀座、反搪孔壓板 Taper Shank, Body, Reverse Cutting Insert Holder and Apron



$D_2 > e$
下刀徑: $D_2 \times 2 - D > \text{HBIT}_$

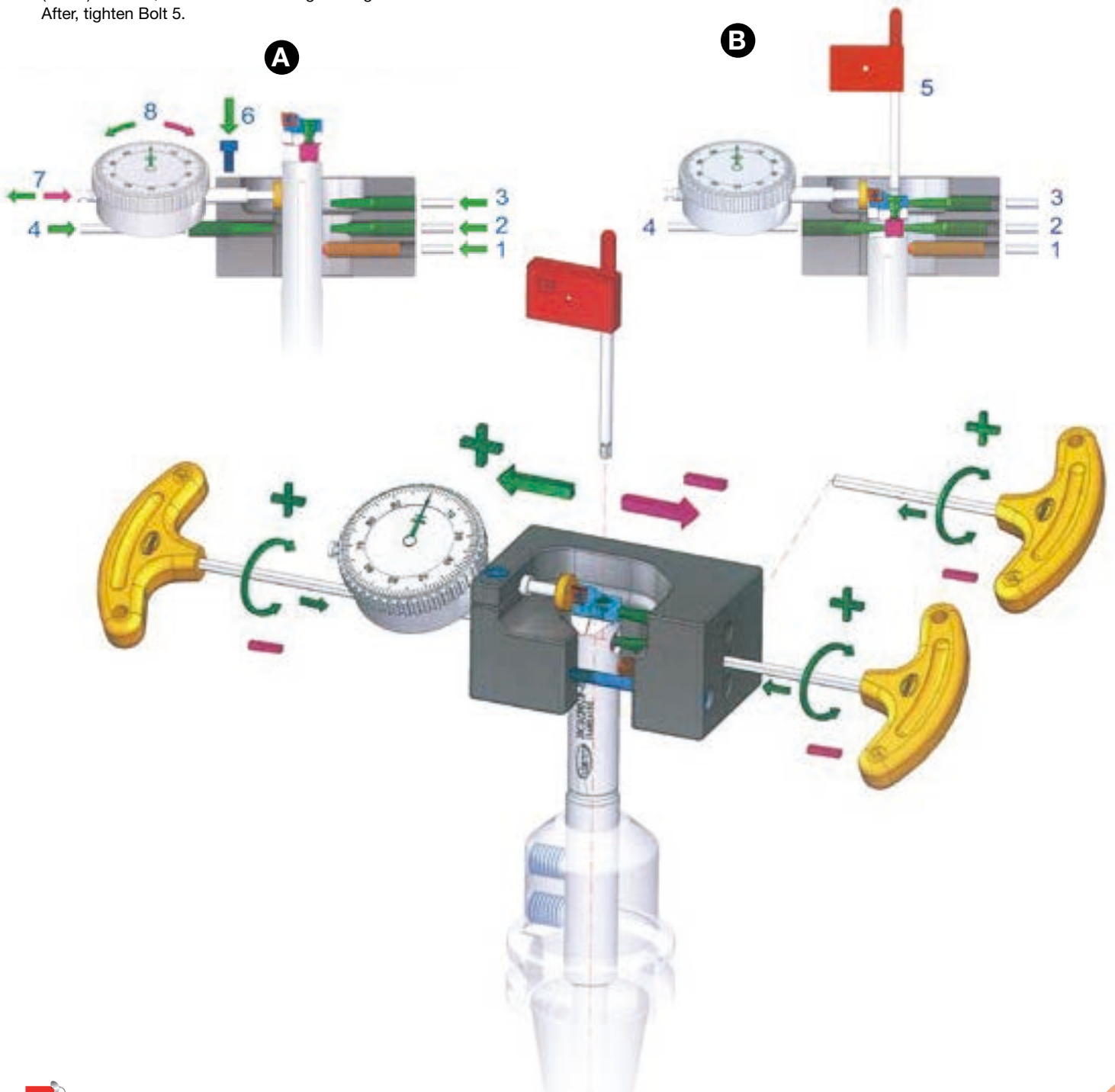
訂貨編號 Order No.	規格 Model	範圍 D Boring Range $\phi\text{Min}-\phi\text{Max}$	M3	M	L	粗搪孔反搪系統組合 Adjustable Single Reverse Cutter Boring System				淨重 N.W.
						搪孔刀柄 Taper Shank	粗搪孔刀本體 Boring Head	粗搪孔反搪刀座 Reverse Cutting Insert Holder	反搪孔壓板 Apron	
39131507EAK	BT50-HBIT120E-77 AK	130-190	5-35	77	120	BT50-H80-70	HBIT120E	RKCC130190	apr120	8.44
39131512EAK	BT50-HBIT120E-122 AK	130-190	5-35	122	165	BT50-H80-115				9.99
39131517EAK	BT50-HBIT120E-172 AK	130-190	5-35	172	215	BT50-H80-165				11.69
39131522EAK	BT50-HBIT120E-222 AK	130-190	5-35	222	265	BT50-H80-215				13.44
39131527EAK	BT50-HBIT120E-272 AK	130-190	5-35	272	315	BT50-H80-265				15.19
39131532EAK	BT50-HBIT120E-322 AK	130-190	5-35	322	365	BT50-H80-315				16.89
39171507EAK	BT50-HBIT120E-77 AK	170-230	25-55	77	120	BT50-H80-70				8.54
39171512EAK	BT50-HBIT120E-122 AK	170-230	25-55	122	165	BT50-H80-115				10.09
39171517EAK	BT50-HBIT120E-172 AK	170-230	25-55	172	215	BT50-H80-165				11.79
39171522EAK	BT50-HBIT120E-222 AK	170-230	25-55	222	265	BT50-H80-215				13.54
39171527EAK	BT50-HBIT120E-272 AK	170-230	25-55	272	315	BT50-H80-265				15.29
39171532EAK	BT50-HBIT120E-322 AK	170-230	25-55	322	365	BT50-H80-315				16.99
39211507EAK	BT50-HBIT120E-77 AK	210-270	45-75	77	120	BT50-H80-70				8.71
39211512EAK	BT50-HBIT120E-122 AK	210-270	45-75	122	165	BT50-H80-115				10.26
39211517EAK	BT50-HBIT120E-172 AK	210-270	45-75	172	215	BT50-H80-165				11.96
39211522EAK	BT50-HBIT120E-222 AK	210-270	45-75	222	265	BT50-H80-215				13.71
39211527EAK	BT50-HBIT120E-272 AK	210-270	45-75	272	315	BT50-H80-265	15.46			
39211532EAK	BT50-HBIT120E-322 AK	210-270	45-75	322	365	BT50-H80-315	17.16			
39251507EAK	BT50-HBIT120E-77 AK	250-310	65-95	77	120	BT50-H80-70	8.81			
39251512EAK	BT50-HBIT120E-122 AK	250-310	65-95	122	165	BT50-H80-115	10.36			
39251517EAK	BT50-HBIT120E-172 AK	250-310	65-95	172	215	BT50-H80-165	12.06			
39251522EAK	BT50-HBIT120E-222 AK	250-310	65-95	222	265	BT50-H80-215	13.81			
39251527EAK	BT50-HBIT120E-272 AK	250-310	65-95	272	315	BT50-H80-265	15.56			
39251532EAK	BT50-HBIT120E-322 AK	250-310	65-95	322	365	BT50-H80-315	17.26			
39131515AK	BT50-HBIT120-150 AK	130-190	5-35	150	200	BT50-H100-100	HBIT120	RKCC130190	apr120	12.44
39131520AK	BT50-HBIT120-200 AK	130-190	5-35	200	250	BT50-H100-150				15.09
39131525AK	BT50-HBIT120-250 AK	130-190	5-35	250	300	BT50-H100-200				18.04
39131530AK	BT50-HBIT120-300 AK	130-190	5-35	300	350	BT50-H100-250				20.99
39171515AK	BT50-HBIT120-150 AK	170-230	25-55	150	200	BT50-H100-100				12.54
39171520AK	BT50-HBIT120-200 AK	170-230	25-55	200	250	BT50-H100-150				15.19
39171525AK	BT50-HBIT120-250 AK	170-230	25-55	250	300	BT50-H100-200				18.14
39171530AK	BT50-HBIT120-300 AK	170-230	25-55	300	350	BT50-H100-250				21.09
39211515AK	BT50-HBIT120-150 AK	210-270	45-75	150	200	BT50-H100-100				12.71
39211520AK	BT50-HBIT120-200 AK	210-270	45-75	200	250	BT50-H100-150				15.36
39211525AK	BT50-HBIT120-250 AK	210-270	45-75	250	300	BT50-H100-200				18.31
39211530AK	BT50-HBIT120-300 AK	210-270	45-75	300	350	BT50-H100-250				21.26
39251515AK	BT50-HBIT120-150 AK	250-310	65-95	150	200	BT50-H100-100				12.81
39251520AK	BT50-HBIT120-200 AK	250-310	65-95	200	250	BT50-H100-150				15.46
39251525AK	BT50-HBIT120-250 AK	250-310	65-95	250	300	BT50-H100-200				18.41
39251530AK	BT50-HBIT120-300 AK	250-310	65-95	300	350	BT50-H100-250				21.36

1143 高速搪孔刀

High Speed Cutting Bar Fine Boring System

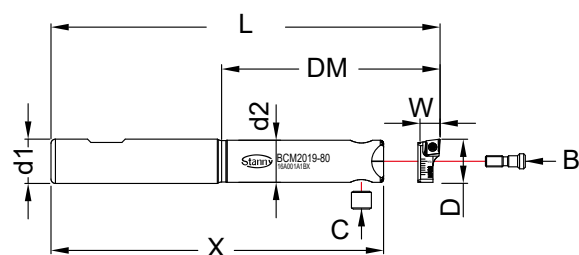
1. 將BCM、BRM、BJM放置於ABM測量器的V槽內(如圖示A)，將1螺絲旋緊固定BCM、BRM、BJM。
2. 指示量錶往BCM、BRM、BJM接觸(圖示7)，固定6螺絲。
3. 旋轉錶面(圖示8)，使指針歸零。
4. 將BCM、BRM、BJM放置於ABM測量器的V槽內(如圖示B)鬆緊1螺絲，可旋轉BCM、BRM、BJM對刀片最大尺寸，在固定1螺絲。
5. 放鬆鎖5螺絲，調整刀座往外調2或3螺絲，向內調4螺絲。
6. 調刀依指示量錶表示尺寸為半徑，半徑乘2為直徑加上對刀直徑則為搪刀徑。確認尺寸在鎖緊5螺絲。

1. BCM, BRM or BJM put into the measure instrument, tighten bolt 1. (Fig. A)
2. Dial Indicator move to BCM, BRM or BJM, tighten bolt 6. (Fig. 7)
3. Indicator make zero. (Fig. 8)
4. BCM, BRM or BJM put into the measure instrument, loosen bolt 1. After adjust tighten bolt 1. (Fig. B)
5. Loosen bolt 5, adjust cutting insert holder. Increase size adjust bolt 2 or bolt 3. Decrease size adjust bolt 4. (Fig 5)
6. The size show in dial indicator is radius.
 $(r * 2 = D)$ D+BCM, BRM or BJM=Boring Cutting Diameter
 After, tighten Bolt 5.




測量器
Adjustable Measuring

訂貨編號 Order No.	規格 Model	夾持範圍 Diameter Range øDMin~øDMax	測量範圍 Boring Range DMin~øDMax	淨重 N.W.
45900000	ABM1025	10-25	11-43	0.55
45902046MI	ABM1025+Mitutoyo	10-25	11-43	0.69
45900810MA	ABM1025+Mahr	10-25	11-43	0.73


接桿
Shank

訂貨編號 Order No.	規格 Model	範圍 D Boring Range øDMin-øDMax	DM	d1	d2	L	X	刀座 Insert Holder	C導程螺帽 C-NUT	B螺絲 B-Bolt	板手 Wrench	淨重 N.W.
45901010	BCM1010-40	11-14	40	10	10	96	90	MR/MK 11	NUT6	SLCS-M3	T8	0.050
45901212	BCM1212-50	13-17	50	12	12	107	100	MR/MK 13	NUT7	SLCS-M4	T15	0.087
45901414	BCM1414-55	15-22	55	14	14	127	120	MR/MK 15				0.131
45901615	BCM1615-65	16-23	65	16	15	139	130	MR/MK 16	NUT9	SLCS-M5	T25	0.178
45901616	BCM1616-65	17-23	65	16	16	139	130	MR/MK 17				0.184
45902019	BCM2019-80	20-30	80	20	19	159	150	MR/MK 20	NUT9	SLCS-M5	T25	0.324
45902020	BCM2020-80	23-33	80	20	20	159	150	MR/MK 23				0.341
45902524	BCM2524-100	26-40	100	25	24	199	190	MR/MK 26	NUT9	SLCS-M5	T25	0.661
45902525	BCM2525-100	29-43	100	25	25	199	190	MR/MK 29				0.668

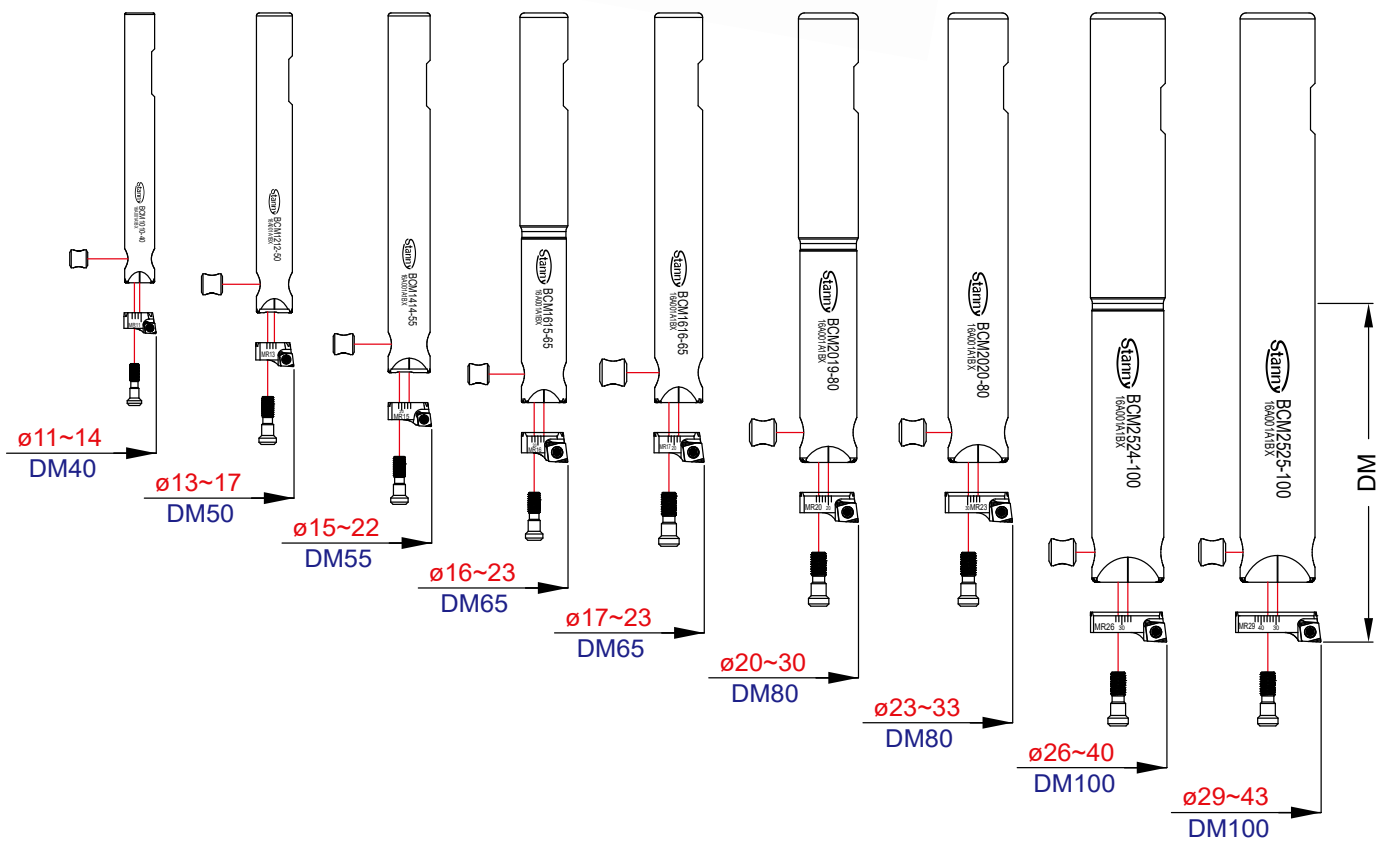
1143

ABC ABM+BCM+MR 搪孔刀 Semi-Finishing Boring System

整組SET ABC1143 淨重N.W. 7.0 kg



訂貨編號：45901143
Order No. 45901143

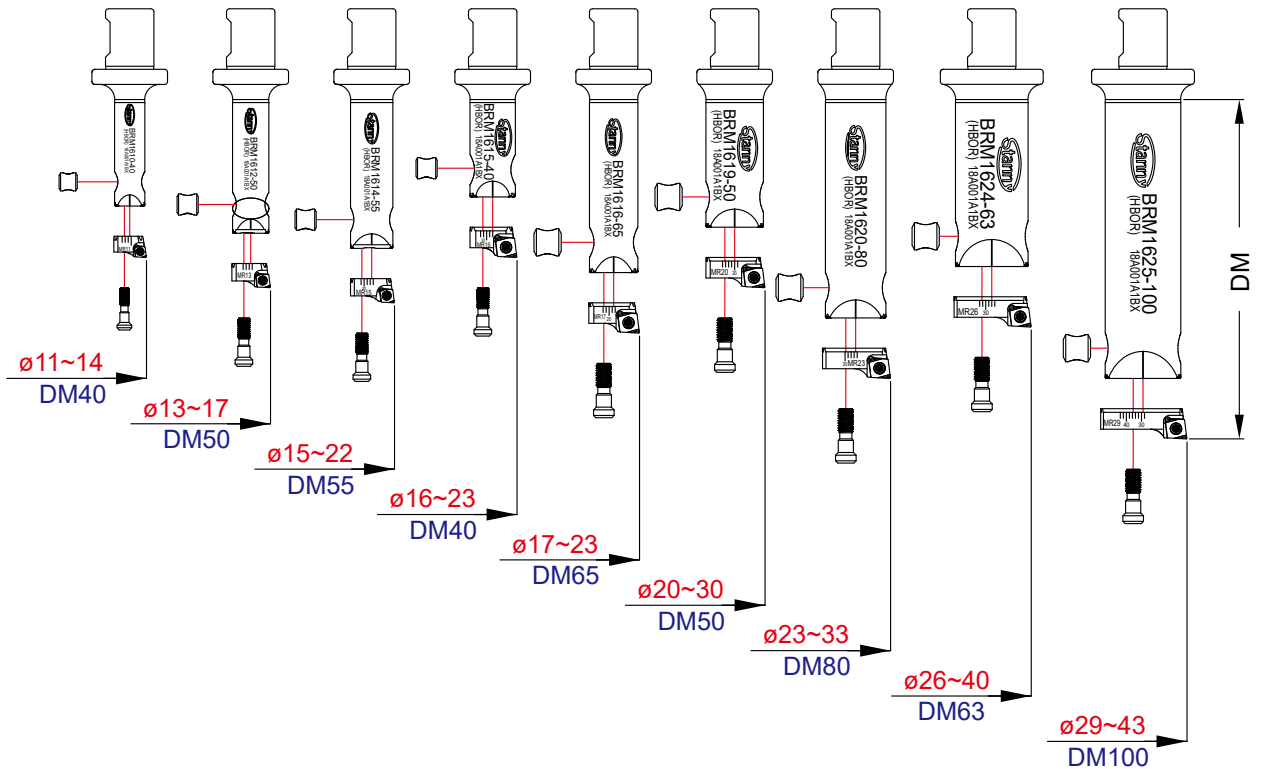


1143

ABR ABM+BRM+MR (HBOR50P, HBOR63P) 高速搪孔刀 High Speed Cutting Bar Fine Boring System

整組SET ABR1143 淨重N.W. 6.3 kg

訂貨編號 : 50171143
Order No. 50171143



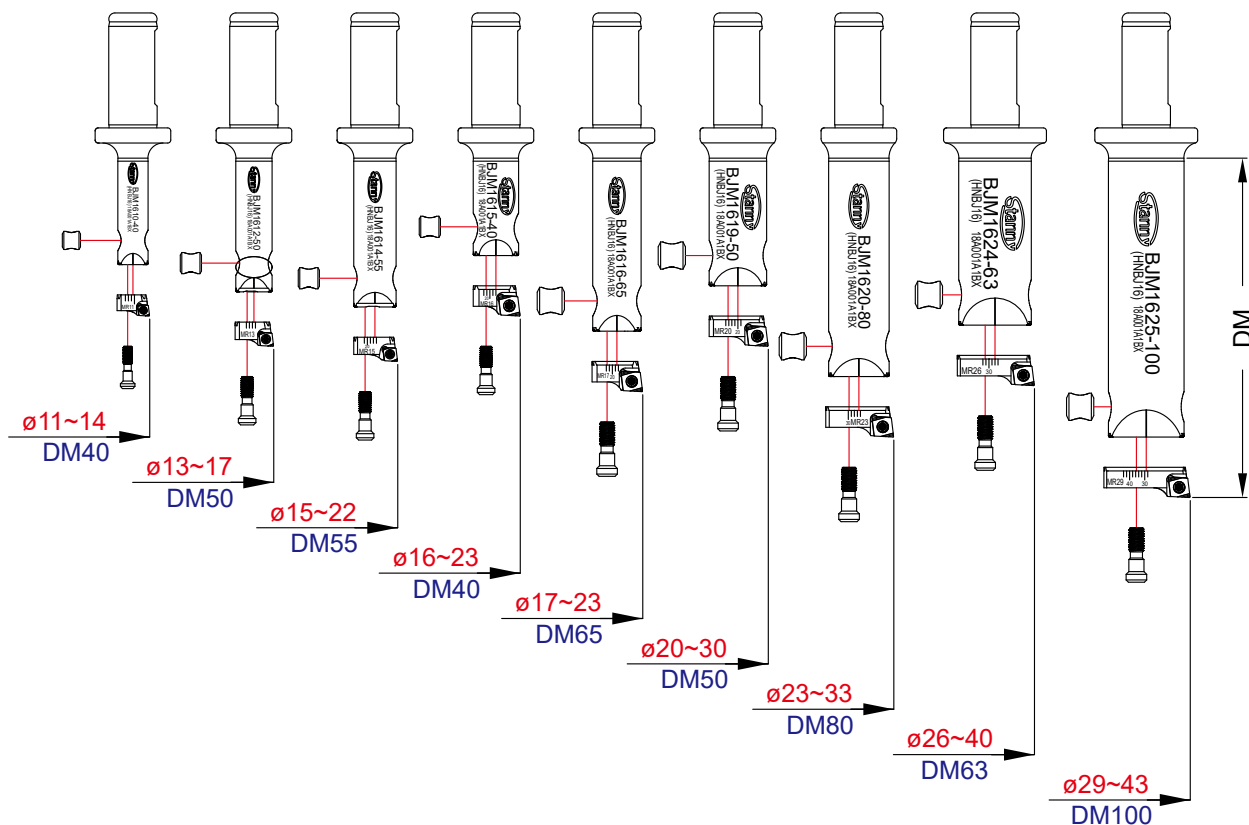
1143

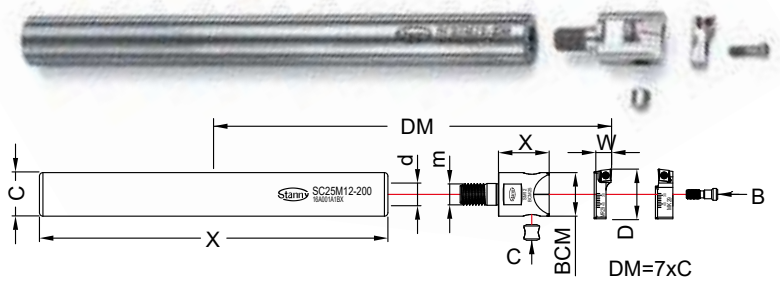
ABJ ABM+BJM+MR (HNBJ16P) 高速搪孔刀 High Speed Cutting Bar Fine Boring System

整組SET ABJ1143 淨重N.W. 6.5 kg



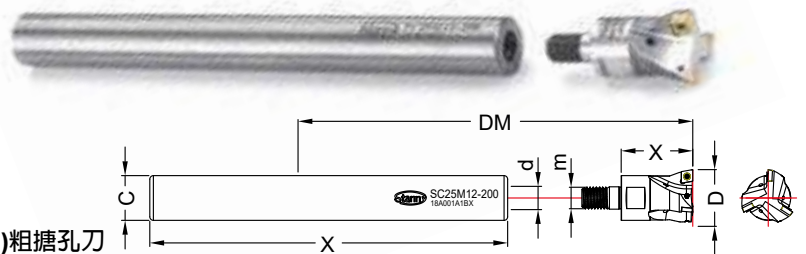
訂貨編號：16171143
Order No. 16171143





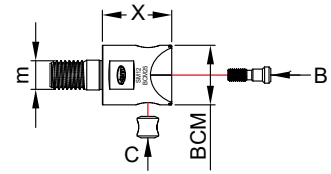
錫鋼柄
Carbide Shank

訂貨編號 Order No.	規格 Model	C	X	d	接桿 Shank	淨重 N.W.
45071007	SC10M5-75		75			0.069
45071010	SC10M5-100	10	100	5.5	SM5BCM10	0.098
45071015	SC10M5-150		150			0.149
45071207	SC12M6-75		75			0.106
45071210	SC12M6-100	12	100	6.5	SM6BCM12	0.140
45071215	SC12M6-150		150			0.216
45071410	SC14M8-100		100			0.190
45071415	SC14M8-150	14	150	8.5	SM8BCM14	0.300
45071420	SC14M8-200		200			0.410
45071610	SC16M8-100		100			0.254
45071615	SC16M8-150	16	150	8.5	SM8BCM16	0.377
45071620	SC16M8-200		200			0.517
45072015	SC20M10-150		150			0.589
45072020	SC20M10-200	20	200	10.5	SM10BCM20	0.802
45072025	SC20M10-250		250			1.006
45072515	SC25M12-150		150			0.922
45072520	SC25M12-200	25	200	12.5	SM12BCM25	1.253
45072525	SC25M12-250		250			1.575
45072530	SC25M12-300		300			1.908



鎖牙式固定(二刃/三刃)粗搪孔刀
Exchangeable Head BIT

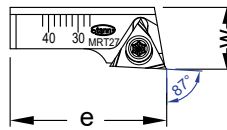
訂貨編號 Order No.	規格 Model	搪孔範圍D Boring Range dMin-dMax	刃數 Flutes	m	X	錫鋼柄 Carbide Shank	刀片 Insert	螺絲 Bolt	板手 Wrench	淨重 N.W.				
31081416	SM8BIT1416	15.7	2	M8	24	SC14M8-100	CCMT0602..	TS25-M2.5	T8	0.026				
31081417	SM8BIT1417	16.7			25	SC14M8-150				0.027				
31081618	SM8BIT1618	17.7			26	SC14M8-200				0.036				
31081619	SM8BIT1619	18.7			27	SC16M8-100				0.038				
31081620	SM8BIT1620	19.7			28	SC16M8-150				0.040				
31081621	SM8BIT1621	20.7			29	SC16M8-200				0.043				
31081622	SM8BIT1622	21.7			30					0.046				
31102021	SM10BIT2021	20.7			29					0.064				
31102022	SM10BIT2022	21.7			30					0.068				
31102023	SM10BIT2023	22.7			31	SC20M10-150				0.068				
31102024	SM10BIT2024	23.7	3	M10	32	SC20M10-200	CCMT0602..	TS25-M2.5	T8	0.070				
31102025	SM10BIT2025	24.7			33	SC20M10-250				0.071				
31102026	SM10BIT2026	25.7			34					0.076				
31102027	SM10BIT2027	26.7			35					0.079				
31122526	SM12BIT2526	25.7			34	M12				SC25M12-150 SC25M12-200 SC25M12-250 SC25M12-300	CCMT0602..	TS25-M2.5	T8	0.113
31122527	SM12BIT2527	26.7			35									0.118
31122528	SM12BIT2528	27.7			36									0.122
31122529	SM12BIT2529	28.7			37									0.127
31122530	SM12BIT2530	29.7			38									0.130
31122531	SM12BIT2531	30.7			39									0.136
31122532	SM12BIT2532	31.7	40	0.141										



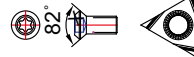
接桿
Shank

訂貨編號 Order No.	規格 Model	m	X	刀座 Insert Holder	C導程螺帽 C-NUT	B螺絲 B-Bolt	板手 Wrench	淨重 N.W.
45090510	SM5BCM10	M5	19	MR/MK 11	NUT6	SLCS-M3	T8	0.011
45090612	SM6BCM12	M6	22	MR/MK 13	NUT7	SLCS-M4	T15	0.019
45090814	SM8BCM14	M8	23	MR/MK 15,16	NUT9	SLCS-M5	T25	0.028
45090816	SM8BCM16		26	0.039				
45091020	SM10BCM20	M10	27	MR/MK 17, 20, 23, 26, 29	NUT9	SLCS-M5	T25	0.063
45091225	SM12BCM25	M12	29					0.105

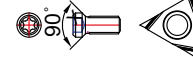
MRT精搪孔刀座
Cutting Insert Holder



SB系列螺絲(Bolt)



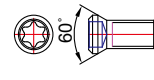
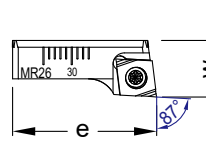
CS系列螺絲(Bolt)



訂貨編號 Order No.	規格 Model	範圍 D Boring Range øDMin-øDMax	W	e	接桿 BCM	刀片 Insert	螺絲 Bolt	板手 Wrench	淨重 N.W.
50041824	MRT18	18-24	9	17.5	1616	TPGH0902..L (TPGX0902..L)	SB-2TR-M2.5 (CS250T)	T8	0.050
50042131	MRT21	21-31		20.5	2020				0.070
50042434	MRT24	24-34		23.5	2524				0.090
50042741	MRT27	27-41		26.5	2525	TPEH090201ML-P	SB-2TR-M2.5		0.010
50043044	MRT30	30-44		29.5					0.012
50043347	MRT33	33-47		32.5					0.014
50043650	MRT36	36-50		35.5					0.015

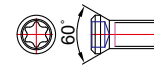
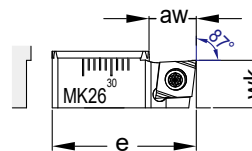
PS.(CS系列螺絲, 請訂貨時另外告知)
PS.Order bolt CS series, please advise in advance.

MR精搪孔刀座
Cutting Insert Holder



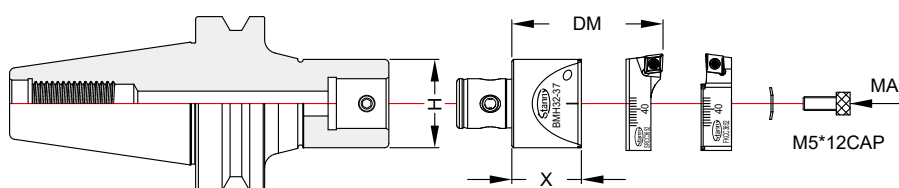
訂貨編號 Order No.	規格 Model	範圍 D Boring Range øDMin-øDMax	W	e	接桿 BCM	刀片 Insert	螺絲 Bolt	板手 Wrench	淨重 N.W.
50061114	MR11	11-14	6	10.6	1010	CCGT0301..L	SB-1630TR-M1.6	T6	0.002
50061317	MR13	13-17	7	12.6	1212	CCGT0401..L	SB-2040TR-M2		0.003
50061522	MR15	15-22	9	14.4	1414	CCGT0602..L	TS25-M2.5	T8	0.003
50061623	MR16	16-23		15.4	1615				0.005
50061723	MR17	17-23		16.6	1616				0.005
50062026	MR20	20-30		19.4	2019	0.006			
50062329	MR23	23-33		22.4	2020	0.008			
50062632	MR26	26-40		25.4	2524	0.010			
50062943	MR29	29-43		28.4	2525	0.013			
50063246	MR32	32-46	31.5		0.013				
50063549	MR35	35-49	34.5		0.015				

MK精搪孔反搪刀座
Reverse Cutting Insert Holder



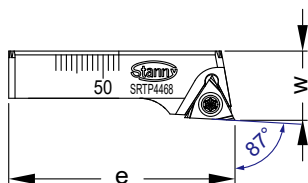
訂貨編號 Order No.	規格 Model	範圍 D Boring Range øDMin-øDMax	aw	wk	e	接桿 BCM	刀片 Insert	螺絲 Bolt	板手 Wrench	淨重 N.W.
50051114	MK11	11-14	2.5	6	10.6	1010	CCGT0301..R	SB-1630TR-M1.6	T6	0.002
50051317	MK13	13-17	2.8	7	12.6	1212	CCGT0401..R	SB-2040TR-M2		0.003
50051522	MK15	15-22	4.4	9	14.4	1414	CCGT0602..R	TS25-M2.5	T8	0.004
50051623	MK16	16-23	4.5		15.4	1615				0.005
50051723	MK17	17-23	4		16.6	1616				0.005
50052026	MK20	20-30	5.4		19.4	2019	0.007			
50052329	MK23	23-33	6.6		22.4	2020	0.009			
50052632	MK26	26-40	8.1		25.4	2524	0.011			
50052943	MK29	29-43	9		28.4	2525	0.014			
50053246	MK32	32-46	9.5	31.5		0.017				
50053549	MK35	35-49		34.5		0.019				



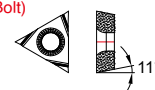
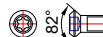


接桿
Shank

訂貨編號 Order No.	規格 Model	H	X	DM	MA	淨重 N.W.
44002530	BMH25-30	25	20	30	M5×12	0.084
44003237	BMH32-37	32	25	37	M6×12	0.164
44004044	BMH40-44	40	32	44	M6×12	0.309
44005060	BMH50-60	50	42	61	M8×20	0.640
44006370	BMH63-70	63	52	71	M8×20	1.290



SB系列螺絲(Bolt)



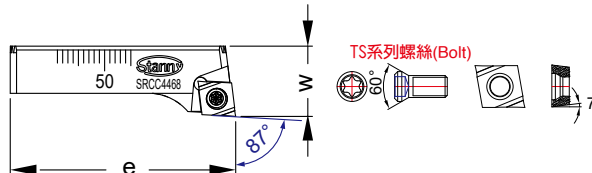
CS系列螺絲(Bolt)



精搪孔刀座
Cutting Insert Holder

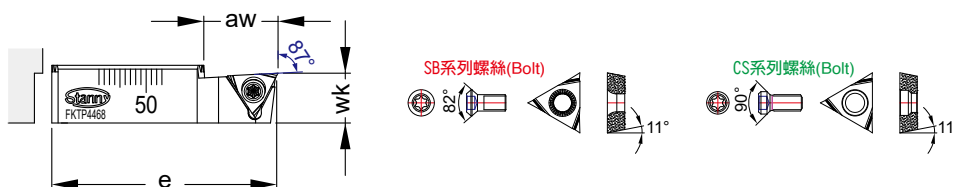
訂貨編號 Order No.	規格 Model	範圍 D Boring Range øDMin-øDMax	W	e	接桿 Shank	刀片 Insert	螺絲 Bolt	板手 Wrench	淨重 N.W.
50252938	SRTP2938	29-38	11	28	BMH25-30	TPGH0902..L (TPGX0902..L)	SB-2TR-M2.5 (CS250T)	T8	0.01
50323652	SRTP3652	36-52	13	35	BMH32-37				0.02
50404468	SRTP4468	44-68	13	43	BMH32-37				0.03
					BMH40-44				0.04
50406690	SRTP6690	66-90	13	54	BMH32-37 BMH40-44	TPGH1103..L (TPGX1103..L)	SB-3TR-M3 (CS300T)	0.05	
50408811	SRTP88112	88-112	13	65	BMH40-44			0.10	
50505790	SRTP5790	57-90	20	54	BMH50-60			0.10	
50637011	SRTP70110	70-110	20	67	BMH63-70			0.21	
50637115	SRTP110150	110-150	20	107	BMH63-70	0.36			
50637159	SRTP150190	150-190	22	149	BMH63-70	0.48			
50637193	SRTP190230	190-230	22	189	BMH63-70				

PS.(CS系列螺絲, 請訂貨時另外告知)
PS.Order bolt CS series, please advise in advance.



菱形精搪孔刀座 Rhombus Cutting Insert Holder

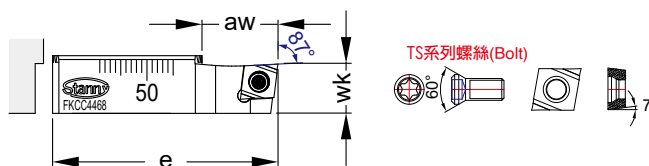
訂貨編號 Order No.	規格 Model	範圍 D Boring Range øDMin-øDMax	W	e	接桿 Shank	刀片 Insert	螺絲 Bolt	板手 Wrench	淨重 N.W.
50252938CC	SRCC2938	29-38	11	26	BMH25-30	CCGT0602..L	TS25-M2.5	T8	0.01
50323652CC	SRCC3652	36-52	13	35	BMH32-37				0.02
50404468CC	SRCC4468	44-68	13	43	BMH32-37 BMH40-44				0.03
50406690CC	SRCC6690	66-90	13	54	BMH32-37 BMH40-44				0.04
50408811CC	SRCC88112	88-112	13	65	BMH40-44				0.05
50505790CC	SRCC5790	57-90	20	54	BMH50-60	CCGT09T3..L	TS4-M4	T15	0.09
50637011CC	SRCC70110	70-110	20	67	BMH63-70				0.10
50637115CC	SRCC110150	110-150	20	107	BMH63-70				0.20
50637159CC	SRCC150190	150-190	22	149	BMH63-70				0.36
50637193CC	SRCC190230	190-230	22	189	BMH63-70				0.48



精搪孔反搪刀座 Reverse Cutting Insert Holder

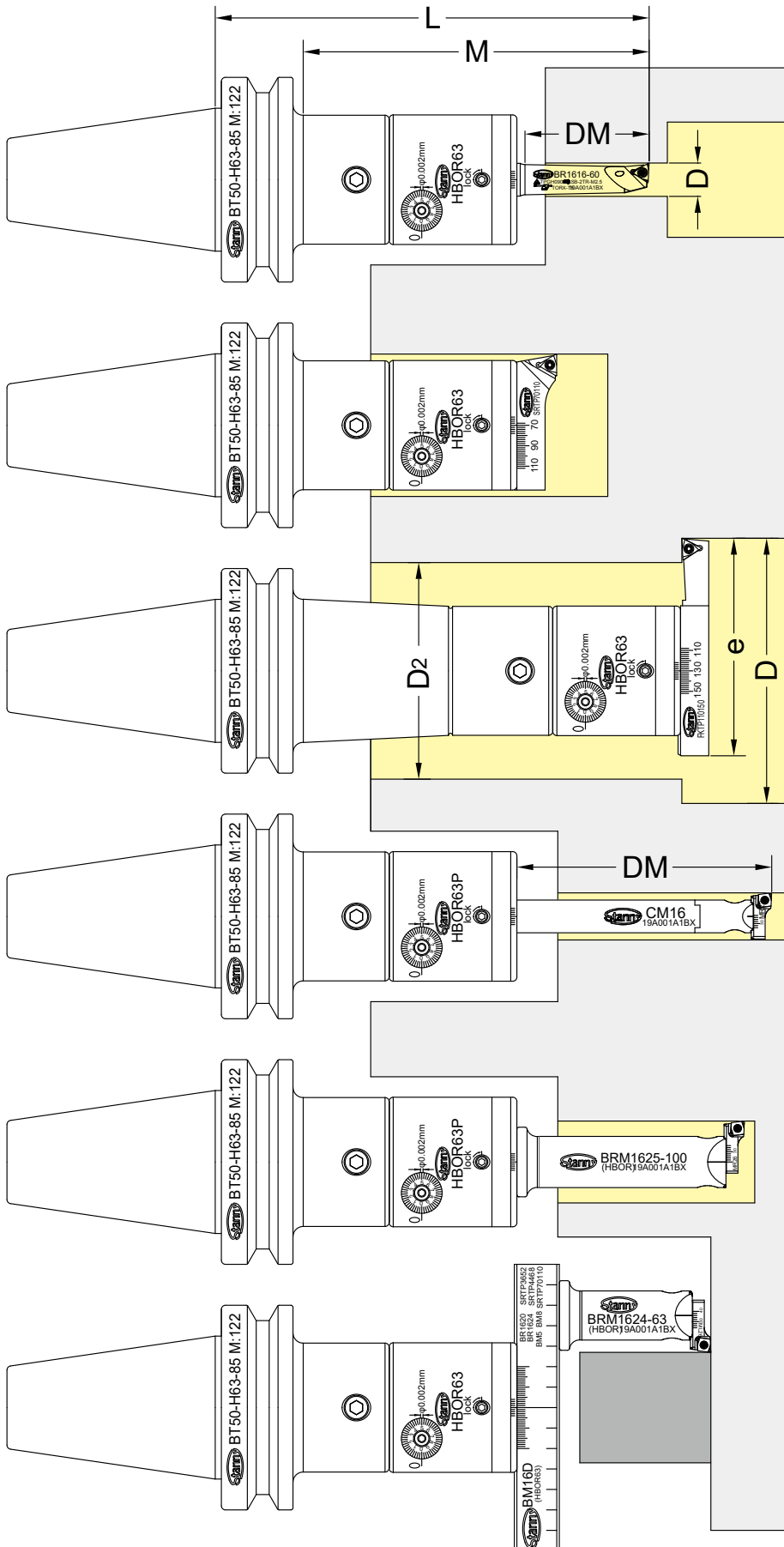
訂貨編號 Order No.	規格 Model	範圍 D Boring Range øDMin-øDMax	aw	wk	e	接桿 Shank	刀片 Insert	螺絲 Bolt	板手 Wrench	淨重 N.W.
50252938K	FKTP2938	29-38	9.5	11	27	BMH25-30	TPGH0902..R (TPGX0902..R)	SB-2TR-M2.5 (CS250T)	T8	0.01
50323652K	FKTP3652	36-52	11.1	11	35	BMH32-37				0.02
50404468K	FKTP4468	44-68	13.6	11	43	BMH32-37 BMH40-44				0.03
50406690K	FKTP6690	66-90	17	14	54	BMH32-37 BMH40-44				0.05
50408811K	FKTP88112	88-112	17.2	14	65	BMH40-44				0.06
50505790K	FKTP5790	57-90	14	15	54	BMH50-60	TPGH1103..R (TPGX1103..R)	SB-3TR-M3 (CS300T)	T15	0.10
50637115K	FKTP70110	70-110	16	15	66	BMH63-70				0.10
50637115K	FKTP110150	110-150	25	15	106	BMH63-70				0.21
50637159K	FKTP150190	150-190	30.8	19	105	BMH63-70				0.24
50637193K	FKTP190230	190-230	31.3	19	125	BMH63-70				0.31

PS.(CS系列螺絲，請訂貨時另外告知)
PS.Order bolt CS series, please advise in advance.



菱形精搪孔反搪刀座 Rhombus Reverse Cutting Insert Holder

訂貨編號 Order No.	規格 Model	範圍 D Boring Range øDMin-øDMax	aw	wk	e	接桿 Shank	刀片 Insert	螺絲 Bolt	板手 Wrench	淨重 N.W.
50252938KC	FKCC2938	29-38	8.2	11	26	BMH25-30	CCGT0602..R	TS25-M2.5	T8	0.01
50323652KC	FKCC3652	36-52	11.1	11	35	BMH32-37				0.02
50404468KC	FKCC4468	44-68	13.9	11	43	BMH32-37 BMH40-44				0.03
50406690KC	FKCC6690	66-90	17	14	54	BMH32-37 BMH40-44				0.05
50408811KC	FKCC88112	88-112	17.5	14	65	BMH40-44				0.06
50505790KC	FKCC5790	57-90	14	15	54	BMH50-60	CCGT09T3..R	TS4-M4	T15	0.09
50637011KC	FKCC70110	70-110	16	15	67	BMH63-70				0.10
50637115KC	FKCC110150	110-150	28	15	107	BMH63-70				0.20
50637159KC	FKCC150190	150-190	31.5	19	105	BMH63-70				0.24
50637193KC	FKCC190230	190-230	32	19	125	BMH63-70				0.31



精搪孔刀桿

Cutting Bar

HBOR 50

HBOR 63

精搪孔刀座

Cutting Insert Holder

HBOR

精搪孔反搪刀座

Reverse Cutting Insert Holder

HBOR

下刀徑

$D_2 > e$

$D_2 \times 2 - D > HBOR \text{ ___}$

高速切削搪孔平衡系統

High Speed Cutting Boring System

HBOR25P

HBOR32P

HBOR40P

HBOR50P

HBOR63P

HBOR50P-BRM16

HBOR63P-BRM16

搪外徑系統-"正轉"切削

Outer Diameter Boring

System Cutting

HBOR63-BM16D

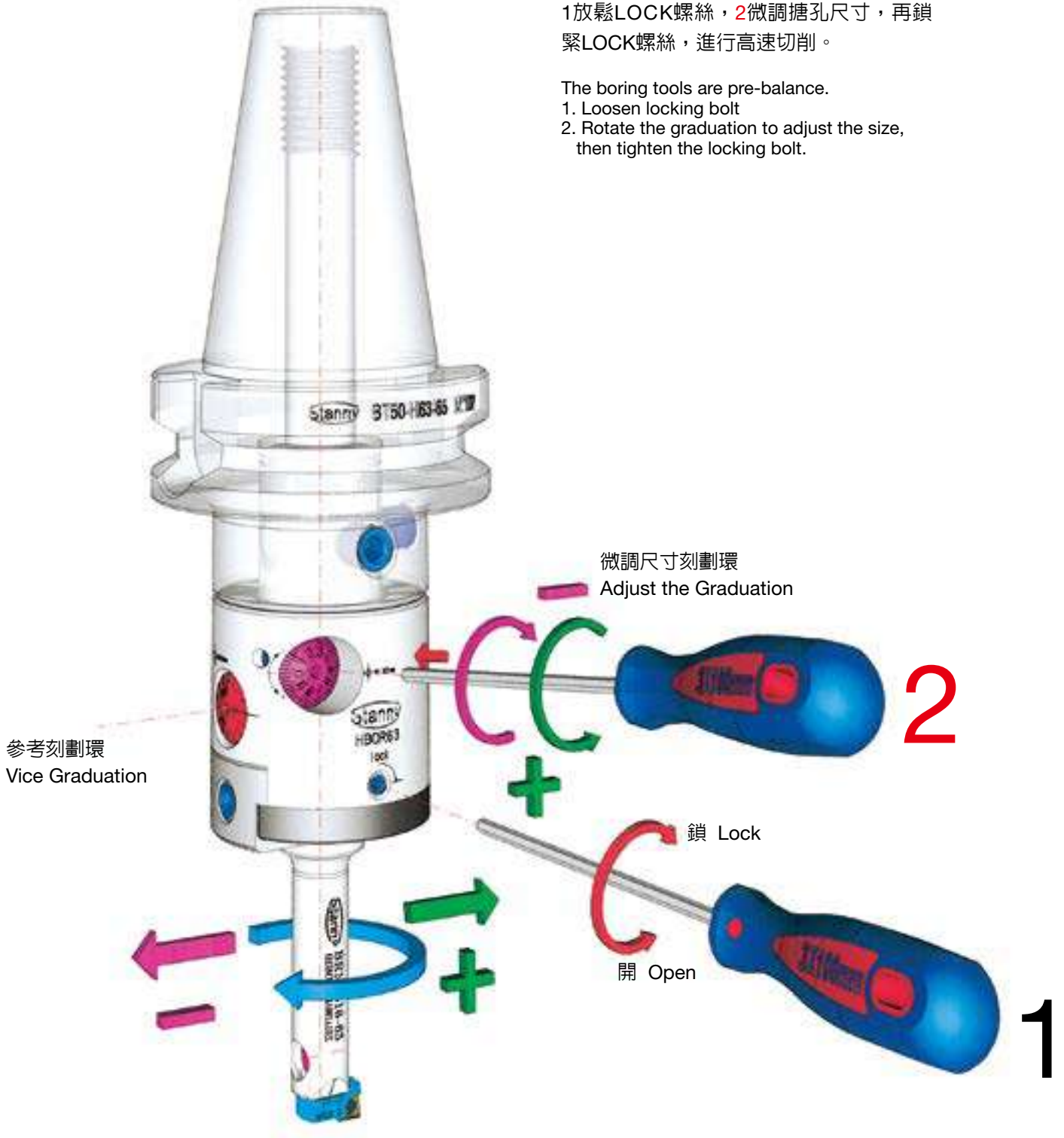


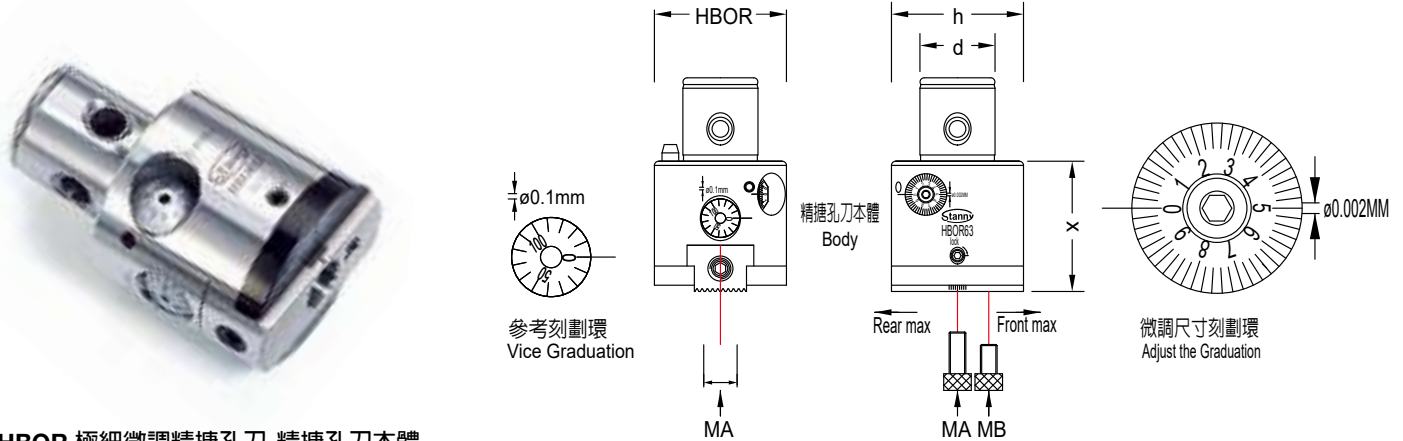
HBOR® 極細微調精搪孔刀系統

Micro-Finishing Cutter Fine Boring System

在預設平衡狀態，在中心軸線裝搪刀，用
1放鬆LOCK螺絲，2微調搪孔尺寸，再鎖
緊LOCK螺絲，進行高速切削。

The boring tools are pre-balance.
1. Loosen locking bolt
2. Rotate the graduation to adjust the size,
then tighten the locking bolt.





HBOR 極細微調精搪孔刀-精搪孔刀本體
Body for HBOR Micro-Finishing Cutter Fine Boring

訂貨編號 Order No.	規格 Model	h	d	Front	Rear	X	MA Bolt	MB Bolt	淨重 N.W.
51000025	HBOR25	25	14	1	1	42	M5×12		0.15
51000032	HBOR32	32	18	2	2	52	M6×12		0.35
51000040	HBOR40	40	22	2	2	53	M6×12		0.50
51000050	HBOR50	50	28	2	2	63	ø16		0.92
51000063	HBOR63	63	36	4	4	63	ø16	M8×14	1.52

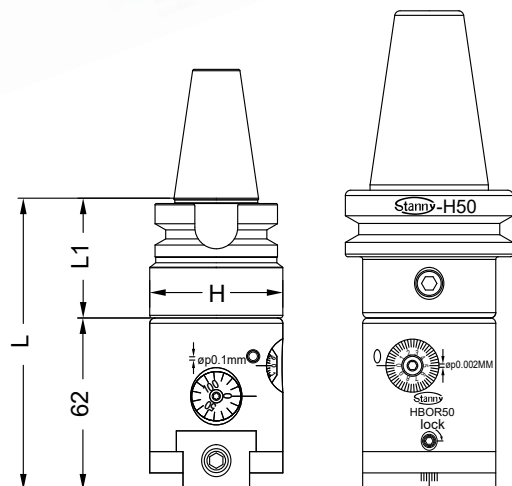
HBOR 極細微調精搪孔刀-搪孔刀柄+精搪孔刀本體
Taper and Body Shank for HBOR Micro-Finishing Cutter Fine Boring

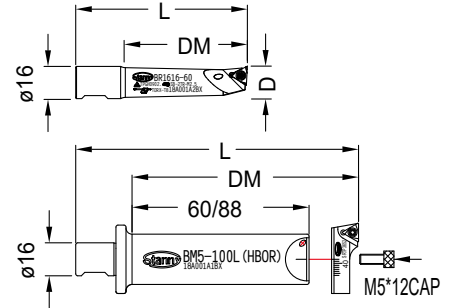
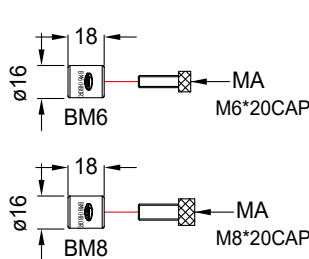
訂貨編號 Order No.	規格 Model	L	淨重 N.W.
55081309	BT30+HBOR50	107	1.49
55081410	BT40+HBOR50	112	2.07
55081510	BT50+HBOR50	127	4.72
55082309	SK30+HBOR50	117	1.59
55082410	SK40+HBOR50	122	2.00
55082510	SK50+HBOR50	112	4.27
55084610	HSK63+HBOR50	119	2.07
56081410	BT40+HBOR63	117	2.76
56081510	BT50+HBOR63	127	5.32
56082410	SK40+HBOR63	122	2.75
56082510	SK50+HBOR63	127	5.02
56084610	HSK63+HBOR63	129	2.68
56084912	HSK100+HBOR63	137	4.30



G2.5 12000rpm
HBOR 極細微調精搪孔刀-搪孔刀柄+精搪孔刀本體
Taper and Body Shank for HBOR-P Micro-Finishing Cutter Fine Boring

訂貨編號 Order No.	規格 Model	L	淨重 N.W.
55181309	BT30+HBOR50P	107	1.49
55181410	BT40+HBOR50P	112	2.07
55181510	BT50+HBOR50P	127	4.72
55182309	SK30+HBOR50P	117	1.59
55182410	SK40+HBOR50P	122	2.00
55182510	SK50+HBOR50P	112	4.27
55184610	HSK63+HBOR50P	119	2.07
56181410	BT40+HBOR63P	117	2.76
56181510	BT50+HBOR63P	127	5.32
56182410	SK40+HBOR63P	122	2.75
56182510	SK50+HBOR63P	127	5.02
56184610	HSK63+HBOR63P	129	2.68
56184912	HSK100+HBOR63P	137	4.30

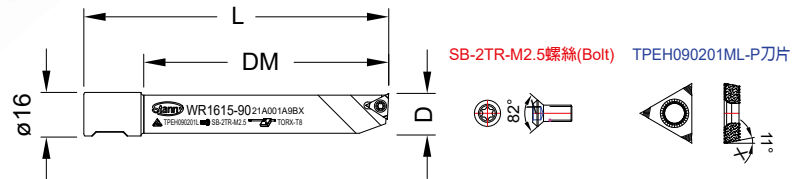




HBOR 極細微調精搪孔刀-精搪孔刀桿 Cutting Bar for HBOR50 and HBOR63 Micro-Finishing Cutter Fine Boring

訂貨編號 Order No.	規格 Model	範圍 D Boring Range øDMin-øDMax	深度 Dimensions DM	系統 System	刀片 Insert	L	螺絲 Bolt	板手 Wrench	淨重 N.W.	
50160621	BR1606-21	6-9	21	HBOR50 HBOR63	WBG0601..L	54	SB-1STR-M2	T6	0.04	
50160828	BR1608-28	8-11	28		TBGT0601..L	59			0.04	
50161035	BR1610-35	10-13	35			65			0.05	
50161242	BR1612-42	12-15	42		TPGH0902..L (TPGX0902..L)	70	SB-2TR-M2.5 (CS250T)	T8	0.06	
50161450	BR1614-50	14-17	50			77			0.07	
50161660	BR1616-60	16-20	60			85			0.09	
50162065	BR1620-65	20-24	65			88			0.11	
50162468	BR1624-68	24-28	68		TPGH1103..L (TPGX1103..L)	91	SB-3TR-M3 (CS300T)		0.12	
50162505	BM5		60 + SRTP2938 or SRTP3652 or SRTP4468			80+	M5x12	⊕ 4		0.25
50162510	BM5-100L		88 + SRTP2938 or SRTP3652 or SRTP4468			116+				
50501608	BM8		+SRTP5790 or SRTP70110 or SRTP110150			M8x20	⊕ 6		0.03	
50501606	BM6		+SRTP4468 or SRTP6690 or SRTP88112			M6x20	⊕ 5		0.03	

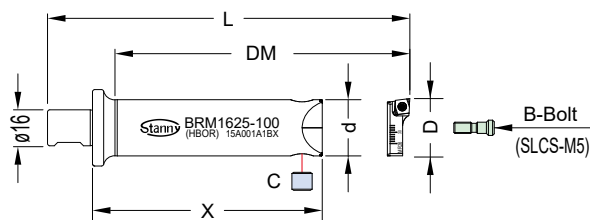
PS.(CS系列螺絲，請訂貨時另外告知)
PS.Order bolt CS series, please advise in advance.



訂製 Customized

HBOR 極細微調精搪孔刀-鎢鐵精搪孔刀桿 Ferrotungsten Cutting Bar for HBOR50(P) and HBOR63(P) Micro-Finishing Cutter Fine Boring

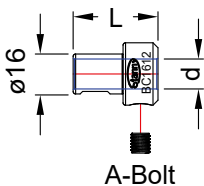
訂貨編號 Order No.	規格 Model	範圍 D Boring Range øDMin-øDMax	深度 Dimensions DM	系統 System	刀片 Insert	L	螺絲 Bolt	板手 Wrench	淨重 N.W.				
50151005	WR1610-50	10-12	50	HBOR50(P) HBOR63(P)	TPEH090201ML-P	73	SB-2TR-M2.5	T8	0.11				
50151105	WR1611-55	11-13	55			78			0.13				
50151206	WR1612-60	12-14	60			83			0.15				
50151306	WR1613-65	13-15	65			88			0.18				
50151407	WR1614-70	14-16	70			93			0.21				
50151507	WR1615-75	15-17	75			98			0.24				
50151608	WR1616-80	16-18	80			103			0.30				
50151708	WR1617-85	17-19	85			108			0.34				
50151006	WR1610-60	10-12	60			HBOR50(P) HBOR63(P)			TPEH090201ML-P	83	SB-2TR-M2.5	T8	0.12
50151106	WR1611-66	11-13	66							89			0.14
50151207	WR1612-72	12-14	72	95	0.17								
50151307	WR1613-78	13-15	78	101	0.20								
50151408	WR1614-84	14-16	84	107	0.24								
50151509	WR1615-90	15-17	90	113	0.28								
50151609	WR1616-96	16-18	96	119	0.34								
50151710	WR1617-102	17-19	102	125	0.39								



HBOR 極細微調精搪孔刀-接桿

Shank for HBOR50(P) and HBOR63(P) Micro-Finishing Cutter Fine Boring

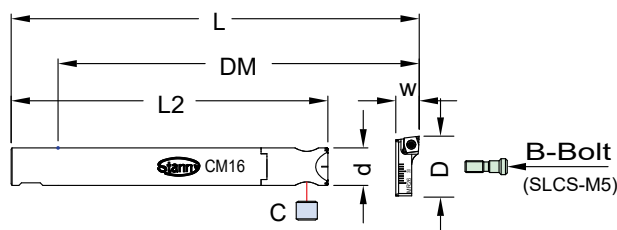
訂貨編號 Order No.	規格 Model	X	深度 DM	L	d	C導程螺帽 C-NUT	B螺絲 B-Bolt	板手 Wrench	淨重 N. W.
50171004	BRM1610-40	45	41	71	10	NUT6	SLCS-M3	T8	0.07
50171205	BRM1612-50	54	51	81	12	NUT7	SLCS-M4	T15	0.09
50171405	BRM1614-55	59	56	86	14				0.11
50171504	BRM1615-40	42	41	71	15				0.10
50171506	BRM1615-65	67	66	96	15				0.13
50171606	BRM1616-65	67	66	96	16	NUT9	SLCS-M5	T25	0.14
50171905	BRM1619-50	52	51	81	19				0.14
50171908	BRM1619-80	82	81	111	19				0.20
50172008	BRM1620-80	82	81	111	20				0.22
50172406	BRM1624-63	65	64	94	24	NUT9	SLCS-M5	T25	0.26
50172410	BRM1624-100	102	101	131	24				0.38
50172510	BRM1625-100	102	101	131	25				0.41



HBOR 極細微調精搪孔刀-套筒

Sleeve for HBOR50(P) and HBOR63(P) Micro-Finishing Cutter Fine Boring

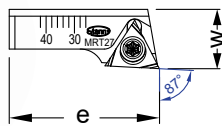
訂貨編號 Order No.	規格 Model	內徑 d Inner	L	A螺絲 A-Bolt	鑄鋼柄 Carbide Shank	淨重 N. W.
50081606	BC1606	ø6	34	M5	CR06	0.05
50081608	BC1608	ø8			CR08	0.04
50081610	BC1610	ø10		M8	CM10	0.06
50081612	BC1612	ø12			CM12	0.05
50081614	BC1614	ø14		CM14	0.04	



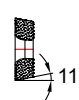
HBOR 極細微調精搪孔刀-鑄鋼柄

Carbide Shank for HBOR50(P) and HBOR63(P) Micro-Finishing Cutter Fine Boring

訂貨編號 Order No.	規格 Model	外徑 d Outer	L2	深度 DM	L	C導程螺帽 C-NUT	B螺絲 B-Bolt	淨重 N. W.
50071009	CM10	ø10	99	72	105	NUT6	SLCS-M3	0.10
50071211	CM12	ø12	112	86	119	NUT7	SLCS-M4	0.16
50071411	CM14	ø14	133	105	122	NUT7	SLCS-M4	0.21
50071613	CM16	ø16	135	124	144	NUT9	SLCS-M5	0.35



SB系列螺絲(Bolt)



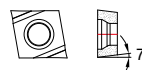
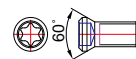
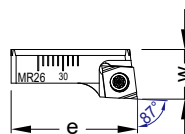
CS系列螺絲(Bolt)



HBOR 極細微調精搪孔刀-MRT精搪孔刀座 Cutting Insert Holder

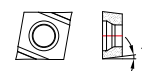
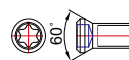
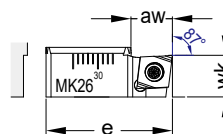
訂貨編號 Order No.	規格 Model	範圍 D Boring Range øDMin-øDMax	W	e	接桿 BRM/BJM	鎢鋼 CM	刀片 Insert	螺絲 Bolt	板手 Wrench	淨重 N.W.
50041824	MRT18	18-24	9	17.5	1616	16	TPGH0902..L (TPGX0902..L)	SB-2TR-M2.5 (CS250T)	T8	0.050
50042131	MRT21	21-31		20.5	1620					0.070
50042434	MRT24	24-34		23.5	1624					0.090
50042741	MRT27	27-41		26.5			0.010			
50043044	MRT30	30-44		29.5			0.012			
50043347	MRT33	33-47		32.5	1625		0.014			
50043650	MRT36	36-50	35.5			TPEH090201ML-P	SB-2TR-M2.5	0.015		

PS.(CS系列螺絲，請訂貨時另外告知)
PS.Order bolt CS series, please advise in advance.



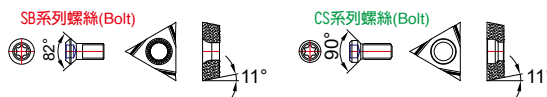
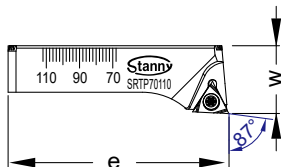
HBOR 極細微調精搪孔刀-MR精搪孔刀座 Cutting Insert Holder

訂貨編號 Order No.	規格 Model	範圍 D Boring Range øDMin-øDMax	W	e	接桿 BRM/BJM	鎢鋼 CM	刀片 Insert	螺絲 Bolt	板手 Wrench	淨重 N.W.
50061114	MR11	11-14	6	10.5	1610	10	CCGT0301..L	SB-1630TR-M1.6	T6	0.002
50061317	MR13	13-17	7	12.5	1612	12	CCGT0401..L	SB-2040TR-M2		0.003
50061522	MR15	15-22		9	14.5	1614	14	CCGT0602..L	TS25-M2.5	0.003
50061623	MR16	16-23	15.5		1615	0.005				
50061723	MR17	17-23	16.5		1616	0.005				
50062026	MR20	20-30	19.5		1619	0.006				
50062329	MR23	23-33	22.5		1620	0.008				
50062632	MR26	26-40	25.5		1624	16	0.009			
50062943	MR29	29-43	28.5	1625	16	CCET060201L-SR	0.013	T8	0.013	
50063246	MR32	36-46	31.5				0.013			
50063549	MR35	35-49	34.5				0.015			



HBOR 極細微調精搪孔刀-MK精搪孔反搪刀座 Reverse Cutting Insert Holder

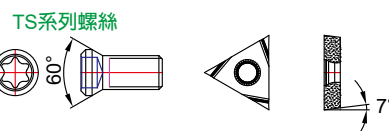
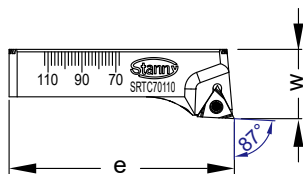
訂貨編號 Order No.	規格 Model	範圍 D Boring Range øDMin-øDMax	aw	wk	e	接桿 BRM/BJM	鎢鋼 CM	刀片 Insert	螺絲 Bolt	板手 Wrench	淨重 N.W.
50051114	MK11	11-14	2.5	6	10.5	1610	10	CCGT0301..R	SB-1630TR-M1.6	T6	0.002
50051317	MK13	13-17	2.8	7	12.5	1612	12	CCGT0401..R	SB-2040TR-M2		0.003
50051522	MK15	15-22	4.4		9	14.5	1614	14	CCGT0602..R	TS25-M2.5	0.004
50051623	MK16	16-23	4.5	15.5		1615	0.005				
50051723	MK17	17-23	4	16.5		1616	0.005				
50052026	MK20	20-30	5.4	19.5		1619	0.007				
50052329	MK23	23-33	6.6	22.5		1620	0.009				
50052632	MK26	26-40	8.1	25.5		1624	16	0.011			
50052943	MK29	29-43	9	28.5	1625	16	CCET060201R-SR	0.014	T8	0.014	
50053246	MK32	32-46	9.5	31.5				0.017			
50053549	MK35	35-49	9.5	34.5				0.019			



HBOR 極細微調精搪孔刀-精搪孔刀座 Cutting Insert Holder for HBOR Micro-Finishing Cutter Fine Boring

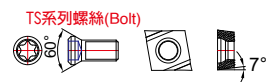
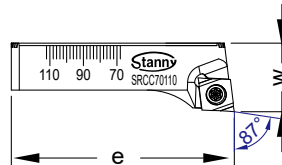
訂貨編號 Order No.	規格 Model	範圍 D Boring Range øDMin-øDMax	W	e	系統 System	MA	刀片 Insert	螺絲 Bolt	板手 Wrench	淨重 N.W.
50252938	SRTP2938	29-38	11	28	HBOR25	M5	TPGH0902..L (TPGX0902..L)	SB-2TR-M2.5 (CS250T)	T8	0.01
50323652	SRTP3652	36-52	13	35	HBOR32	M6				0.02
50404468	SRTP4468	44-68	43	43	HBOR40	M6				0.03
50406690	SRTP6690	66-90	13	54	HBOR50 HBOR63	BM6	TPEH090201ML-P	SB-2TR-M2.5	T8	0.04
50408811	SRTP88112	88-112	65	65	HBOR50 HBOR63	BM6				0.10
50505791	SRTP5790T9	57-90	20	54	HBOR50	BM8	TPGH1103..L (TPGX1103..L)	SB-3TR-M3 (CS300T)	T8	0.10
50637012	SRTP70110T9	70-110		67	HBOR63					0.21
50637116	SRTP110150T9	110-150	107	54	HBOR50	BM8	TPGH1103..L (TPGX1103..L)	SB-3TR-M3 (CS300T)	T8	0.05
50505790	SRTP5790	57-90	54	HBOR50	0.10					
50637011	SRTP70110	70-110	67	107	HBOR63	BM8	TPGH1103..L (TPGX1103..L)	SB-3TR-M3 (CS300T)	T8	0.10
50637115	SRTP110150	110-150	107	HBOR63	0.21					
50637159	SRTP150190	150-190	149	22	149	BM8	TPGH1103..L (TPGX1103..L)	SB-3TR-M3 (CS300T)	T8	0.36
50637193	SRTP190230	190-230	189	189	189					0.48

PS.(CS系列螺絲，請訂貨時另外告知)
PS.Order bolt CS series, please advise in advance.



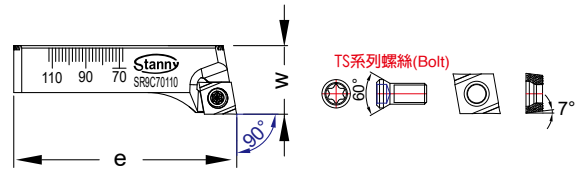
HBOR 極細微調精搪孔刀-精搪孔刀座 Cutting Insert Holder for HBOR Micro-Finishing Cutter Fine Boring

訂貨編號 Order No.	規格 Model	範圍 D Boring Range øDMin-øDMax	W	e	系統 System	MA	刀片 Insert	螺絲 Bolt	板手 Wrench	淨重 N.W.
50323652TC	SRTC3652	36-52	15	35	HBOR32	M6	TCGT1102..L	TS25-M2.5	T8	0.02
50404468TC	SRTC4468	44-68	43	43	HBOR40					0.03
50505790TC	SRTC5790	57-90	54	54	HBOR50	BM8	TCGT1102..L	TS25-M2.5	T8	0.09
50637011TC	SRTC70110	70-110	20	67	HBOR63					0.10
50637115TC	SRTC110150	110-150	107	54	HBOR50	BM8	TCGT1102..L	TS25-M2.5	T8	0.20
50637159TC	SRTC150190	150-190	22	149	149					0.36
50637193TC	SRTC190230	190-230	189	189	189	0.48				



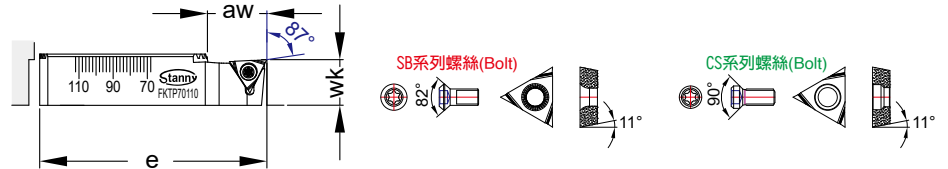
HBOR 極細微調精搪孔刀-菱形精搪孔刀座 Rhombus Cutting Insert Holder for HBOR Micro-Finishing Cutter Fine Boring

訂貨編號 Order No.	規格 Model	範圍 D Boring Range øDMin-øDMax	W	e	系統 System	MA	刀片 Insert	螺絲 Bolt	板手 Wrench	淨重 N.W.
50252938CC	SRCC2938	29-38	11	26	HBOR25	M5	CCGT0602..L	TS25-M2.5	T8	0.01
50323652CC	SRCC3652	36-52	13	35	HBOR32	M6				0.02
50404468CC	SRCC4468	44-68	43	43	HBOR40	M6				0.03
50406690CC	SRCC6690	66-90	13	54	HBOR50 HBOR63	BM6	CCGT0602..L	TS25-M2.5	T8	0.04
50408811CC	SRCC88112	88-112	65	65	HBOR50 HBOR63	BM6				0.05
50505790CC	SRCC5790	57-90	20	54	HBOR50	BM8	CCGT09T3..L	TS4-M4	T15	0.09
50637011CC	SRCC70110	70-110		67	HBOR63					0.10
50637115CC	SRCC110150	110-150	107	54	HBOR50	BM8	CCGT09T3..L	TS4-M4	T15	0.20
50637159CC	SRCC150190	150-190	149	22	149					0.36
50637193CC	SRCC190230	190-230	189	189	189	0.48				



HBOR 極細微調精搪孔刀-90°菱形精搪孔刀座
90° Rhombus Cutting Insert Holder for HBOR Micro-Finishing Cutter Fine Boring

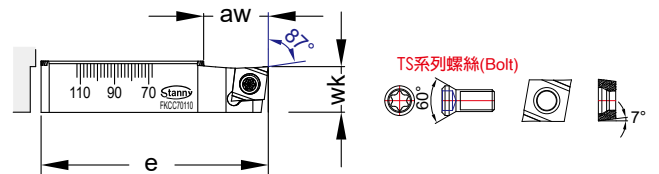
訂貨編號 Order No.	規格 Model	範圍 D Boring Range øDMin-øDMax	W	e	系統 System	MA	刀片 Insert	螺絲 Bolt	板手 Wrench	淨重 N.W.
50252938C9	SR9C2938	29-38	11	26	HBOR25	M5				0.01
50323652C9	SR9C3652	36-52		35	HBOR32					0.02
50404468C9	SR9C4468	44-68		43	HBOR40	M6	CCGT0602..L	TS25-M2.5	T8	0.03
50406690C9	SR9C6690	66-90	13	54	HBOR50					0.04
50408811C9	SR9C88112	88-112		65	HBOR63	BM6				0.05
50505790C9	SR9C5790	57-90		54	HBOR50					0.09
50637011C9	SR9C70110	70-110	20	67						0.10
50637115C9	SR9C110150	110-150		107	HBOR63	BM8	CCGT09T3..L	TS4-M4	T15	0.20



HBOR 極細微調精搪孔刀-精搪孔反搪刀座
Reverse Cutting Insert Holder for HBOR Micro-Finishing Cutter Fine Boring

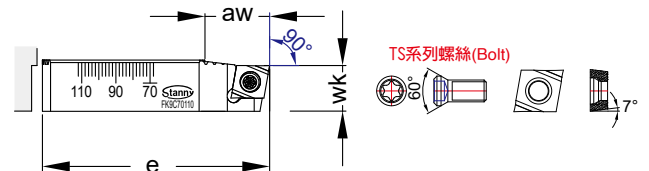
訂貨編號 Order No.	規格 Model	範圍 D Boring Range øDMin-øDMax	aw	wk	e	系統 System	刀片 Insert	螺絲 Bolt	板手 Wrench	淨重 N.W.
50252938K	FKTP2938	29-38	6		27	HBOR25				0.01
50323652K	FKTP3652	36-52	10	11	35	HBOR32	TPGH0902..R (TPGX0902..R)	SB-2TR-M2.5 (CS250T)		0.02
50404468K	FKTP4468	44-68	12		43	HBOR40				0.03
50505790K	FKTP5790	57-90	14		54	HBOR50				0.10
50637011K	FKTP70110	70-110	16	15	66					0.10
50637115K	FKTP110150	110-150	25		106	HBOR63	TPGH1103..R (TPGX1103..R)	SB-3TR-M3 (CS300T)	T8	0.21
50637159K	FKTP150190	150-190	30							0.24
50637193K	FKTP190230	190-230	31	19	125					0.31

PS.(CS系列螺絲，請訂貨時另外告知) PS.Order bolt CS series, please advise in advance.



HBOR 極細微調精搪孔刀-菱形精搪孔反搪刀座
Rhombus Reverse Cutting Insert Holder for HBOR Micro-Finishing Cutter Fine Boring

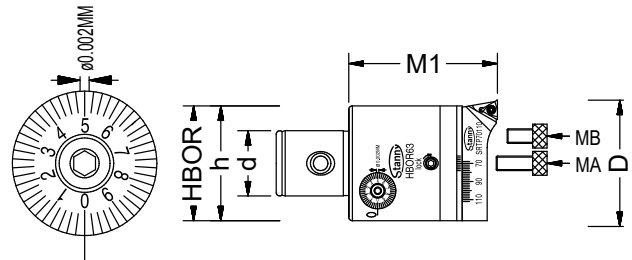
訂貨編號 Order No.	規格 Model	範圍 D Boring Range øDMin-øDMax	aw	wk	e	系統 System	刀片 Insert	螺絲 Bolt	板手 Wrench	淨重 N.W.
50252938KC	FKCC2938	29-38	7		26	HBOR25				0.01
50323652KC	FKCC3652	36-52	10	11	35	HBOR32	CCGT0602..R	TS25-M2.5	T8	0.02
50404468KC	FKCC4468	44-68	13		43	HBOR40				0.03
50505790KC	FKCC5790	57-90	14		54	HBOR50				0.09
50637011KC	FKCC70110	70-110	16	15	67					0.10
50637115KC	FKCC110150	110-150	28		107	HBOR63	CCGT09T3..R	TS4-M4	T15	0.20
50637159KC	FKCC150190	150-190	31.5		105					0.24
50637193KC	FKCC190230	190-230	32	20	125					0.31



HBOR 極細微調精搪孔刀-90°菱形精搪孔反搪刀座
90° Rhombus Reverse Cutting Insert Holder for HBOR Micro-Finishing Cutter Fine Boring

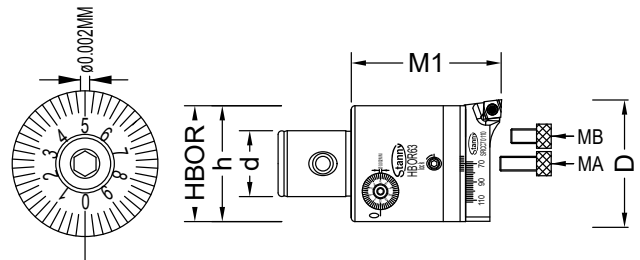
訂貨編號 Order No.	規格 Model	範圍 D Boring Range øDMin-øDMax	aw	wk	e	系統 System	刀片 Insert	螺絲 Bolt	板手 Wrench	淨重 N.W.
50252938K9	FK9C2938	29-38	7		26	HBOR25				0.01
50323652K9	FK9C3652	36-52	10	11	35	HBOR32	CCGT0602..R	TS25-M2.5	T8	0.02
50404468K9	FK9C4468	44-68	13		43	HBOR40				0.03
50505790K9	FK9C5790	57-90	14		54	HBOR50				0.09
50637011K9	FK9C70110	70-110	16	15	67					0.10
50637115K9	FK9C110150	110-150	28		107	HBOR63	CCGT09T3..R	TS4-M4	T15	0.20





HBOR 極細微調精搪孔刀 HBOR Micro-Finishing Cutter Fine Boring Head

訂貨編號 Order No.	規格 Model	範圍 D Boring Range øDMin-øDMax	M1	h	精搪孔系統組合 Micro-Finishing Cutter Fine Boring and Cutting System				淨重 N.W.
					精搪孔刀本體 Boring Head	MA Bolt	MB Bolt	精搪孔刀座 Cutting Insert Holder	
52290000	HBOR25 M	29-38	50	25	HBOR25	M5×12		SRTP2938	0.16
53360000	HBOR32 M	36-52	63	32	HBOR32	M6×12		SRTP3652	0.37
54440000	HBOR40 M	44-68	80	40	HBOR40	M8×14		SRTP4468	0.53
55570000	HBOR50 BM	57-90		50	HBOR50		SRTP5790	1.05	
56700000	HBOR63 BM	70-110	82	63	HBOR63	BM8×20	M8×14	SRTP70110	1.65
56710000	HBOR63 BM	110-150						SRTP110150	1.76
56720000	HBOR63 BM	150-190						SRTP150190	1.94
56730000	HBOR63 BM	190-230					SRTP190230	2.06	

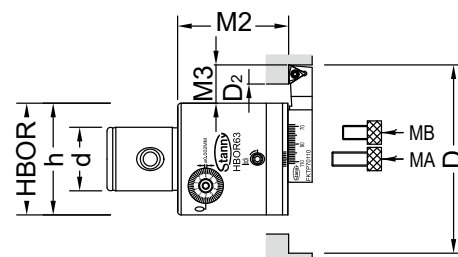
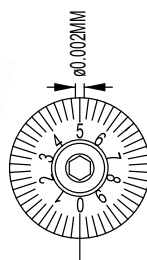


HBOR 極細微調精搪孔刀－菱形 HBOR Micro-Finishing Cutter for Rhombus Fine Boring Head

訂貨編號 Order No.	規格 Model	範圍 D Boring Range øDMin-øDMax	M1	h	精搪孔系統組合 Micro-Finishing Cutter Fine Boring and Cutting System				淨重 N.W.
					精搪孔刀本體 Boring Head	MA Bolt	MB Bolt	菱形精搪孔刀座 Rhombus Cutting Insert Holder	
52290000CC	HBOR25 MCC	29-38	50	25	HBOR25	M5×12		SRCC2938	0.16
53360000CC	HBOR32 MCC	36-52	63	32	HBOR32	M6×12		SRCC3652	0.37
54440000CC	HBOR40 MCC	44-68	80	40	HBOR40	M8×14		SRCC4468	0.53
55570000CC	HBOR50 BMCC	57-90		50	HBOR50		SRCC5790	1.06	
56700000CC	HBOR63 BMCC	70-110	82	63	HBOR63	BM8×20	M8×14	SRCC70110	1.65
56710000CC	HBOR63 BMCC	110-150						SRCC110150	1.75
56720000CC	HBOR63 BMCC	150-190						SRCC150190	1.91
56730000CC	HBOR63 BMCC	190-230					SRCC190230	2.03	

HBOR 極細微調精搪孔刀－90°菱形 HBOR Micro-Finishing Cutter for 90° Rhombus Fine Boring Head

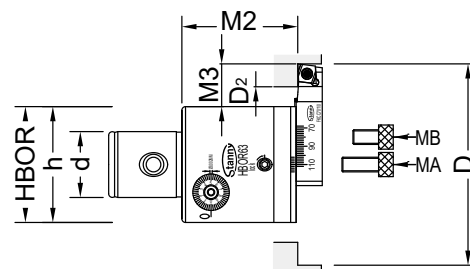
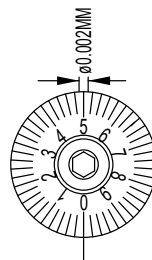
52290000C9	HBOR25 MC9	29-38	50	25	HBOR25	M5×12		SR9C2938	0.16
53360000C9	HBOR32 MC9	36-52	63	32	HBOR32	M6×12		SR9C3652	0.37
54440000C9	HBOR40 MC9	44-68	80	40	HBOR40	M6×12		SR9C4468	0.53
55570000C9	HBOR50 BMC9	57-90		50	HBOR50	SR9C5790	1.06		
56700000C9	HBOR63 BMC9	70-110	82	63	HBOR63	BM8×20	M8×14	SR9C70110	1.65
56710000C9	HBOR63 BMC9	110-150						SR9C110150	1.75



$D_2 > e$
下刀徑: $D_2 \times 2 - D > \text{HBOR}$

HBOR 極細微調精搪孔刀—反搪 HBOR Micro-Finishing Cutter for Reverse Fine Boring Head

訂貨編號 Order No.	規格 Model	範圍 D Boring Range $\varnothing\text{DMin}-\varnothing\text{DMax}$	M3	M2	h	精搪孔反搪系統組合 Micro-Finishing Cutter for Reverse Fine Boring and Cutting System				淨重 N.W.
						精搪孔刀本體 Boring Head	MA Bolt	MB Bolt	精搪孔反搪刀座 Reverse Cutting Insert Holder	
52290000K	HBOR25 MK	29-38	2-6	42	25	HBOR25	M5×12		FKTP2938	0.16
53360000K	HBOR32 MK	36-52	2-10	52.5	32	HBOR32	M6×12		FKTP3652	0.37
54440000K	HBOR40 MK	44-68	2-14	53	40	HBOR40			FKTP4468	0.53
55570000K	HBOR50 BMK	57-90	3-20	64.5	50	HBOR50	BM8×20	M8×14	FKTP5790	1.05
56700000K	HBOR63 BMK	70-110	3-23	62.5	63	HBOR63			FKTP70110	1.65
56710000K	HBOR63 BMK	110-150	23-43						FKTP110150	1.76
56720000K	HBOR63 BMK	150-190	43-63						FKTP150190	1.81
56730000K	HBOR63 BMK	190-230	63-83						FKTP190230	1.88



$D_2 > e$
下刀徑: $D_2 \times 2 - D > \text{HBOR}$

HBOR 極細微調精搪孔刀—菱形反搪 HBOR Micro-Finishing Cutter for Rhombus Reverse Fine Boring Head

訂貨編號 Order No.	規格 Model	範圍 D Boring Range $\varnothing\text{DMin}-\varnothing\text{DMax}$	M3	M2	h	精搪孔反搪系統組合 Micro-Finishing Cutter for Reverse Fine Boring and Cutting System				淨重 N.W.
						精搪孔刀本體 Boring Head	MA Bolt	MB Bolt	菱形精搪孔反搪刀座 Rhombus Reverse Cutting Insert Holder	
52290000KC	HBOR25 MKC	29-38	2-6	42	25	HBOR25	M5×12		FKCC2938	0.16
53360000KC	HBOR32 MKC	36-52	2-10	52.5	32	HBOR32	M6×12		FKCC3652	0.37
54440000KC	HBOR40 MKC	44-68	2-14	53	40	HBOR40			FKCC4468	0.53
55570000KC	HBOR50 BMKC	57-90	3-20	64.5	50	HBOR50	BM8×20	M8×14	FKCC5790	1.06
56700000KC	HBOR63 BMKC	70-110	3-23	62.5	63	HBOR63			FKCC70110	1.65
56710000KC	HBOR63 BMKC	110-150	23-43						FKCC110150	1.75
56720000KC	HBOR63 BMKC	150-190	43-63						FKCC150190	1.79
56730000KC	HBOR63 BMKC	190-230	63-83						FKCC190230	1.86

HBOR 極細微調精搪孔刀—90°菱形反搪 HBOR Micro-Finishing Cutter for 90° Rhombus Reverse Fine Boring Head

52290000K9	HBOR25 MK9	29-38	2-6	42	25	HBOR25	M5×12		FK9C2938	0.16
53360000K9	HBOR32 MK9	36-52	2-10	52.5	32	HBOR32	M6×12		FK9C3652	0.37
54440000K9	HBOR40 MK9	44-68	2-14	53	40	HBOR40			FK9C4468	0.53
55570000K9	HBOR50 BMK9	57-90	3-20	64.5	50	HBOR50	BM8×20	M8×14	FK9C5790	1.06
56700000K9	HBOR63 BMK9	70-110	3-23	62.5	63	HBOR63			FK9C70110	1.65
56710000K9	HBOR63 BMK9	110-150	23-43						FK9C110150	1.75

搪孔刀柄、精搪孔刀本體、精搪孔刀座 Taper Shank, Body and Cutting Insert Holder

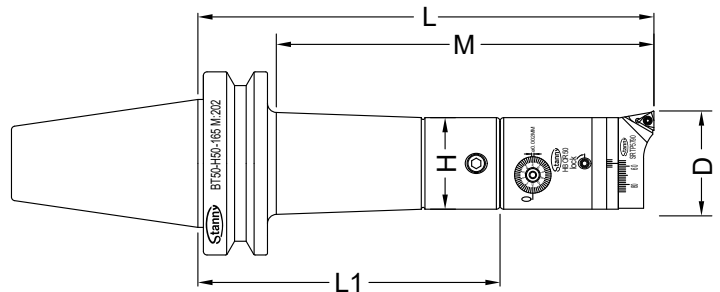


整支 SET

MAS403 BT-HBOR 極細微調精搪孔刀

MAS403 BT and HBOR Micro-Finishing Cutter Fine Boring Head

訂貨編號 Order No.	規格 Model	範圍 D Boring Range øDMin-øDMax	M	L	精搪孔系統組合 Micro-Finishing Cutter Fine Boring System				淨重 N.W.	
					搪孔刀柄 Taper Shank	精搪孔刀本體 Boring Head	連接器 Connector	精搪孔刀座 Cutting Insert Holder		
52291306	BT30-HBOR25-60	M 29-38	60	85	BT30-H25-35	HBOR25	M5	SRTP2938	0.56	
52291307	BT30-HBOR25-75	M 29-38	75	105	BT30-H25-55	HBOR32	M6	SRTP3652	0.62	
53361307	BT30-HBOR32-75	M 36-52	75	98	BT30-H32-35				0.82	
53361309	BT30-HBOR32-93	M 36-52	93	118	BT30-H32-55	HBOR40	M6	SRTP4468	0.79	
54441307	BT30-HBOR40-75	M 44-68	75	98	BT30-H40-35				0.98	
54441309	BT30-HBOR40-93	M 44-68	93	118	BT30-H40-55	HBOR50	BM8	SRTP5790	0.95	
55571309	BT30-HBOR50-93	BM 57-90	93	125	BT30-H50-45				1.33	
56701309	BT30-HBOR63-93	BM 70-110	93	145	BT30-H63-65	HBOR63		SRTP70110	2.18	
52291406	BT40-HBOR25-60	M 29-38	60	90	BT40-H25-40	HBOR25	M5	SRTP2938	1.16	
52291409	BT40-HBOR25-90	M 29-38	90	122	BT40-H25-72				1.28	
52291412	BT40-HBOR25-123	M 29-38	123	150	BT40-H25-100				1.40	
52291414	BT40-HBOR25-145	M 29-38	145	177	BT40-H25-127				1.54	
53361407	BT40-HBOR32-75	M 36-52	75	103	BT40-H32-40	HBOR32	M6	SRTP3652	1.37	
53361410	BT40-HBOR32-102	M 36-52	102	135	BT40-H32-72				1.57	
53361415	BT40-HBOR32-150	M 36-52	150	183	BT40-H32-120				1.92	
53361416	BT40-HBOR32-165	M 36-52	165	198	BT40-H32-135				2.03	
54441407	BT40-HBOR40-73	M 44-68	73	103	BT40-H40-40	HBOR40	M6	SRTP4468	1.58	
54441410	BT40-HBOR40-102	M 44-68	102	135	BT40-H40-72				1.84	
54441416	BT40-HBOR40-162	M 44-68	162	193	BT40-H40-130				2.48	
54441421	BT40-HBOR40-212	M 44-68	212	248	BT40-H40-185				3.05	
55571410	BT40-HBOR50-102	BM 57-90	102	130	BT40-H50-50	HBOR50	M6	SRTP5790	1.91	
55571414	BT40-HBOR50-142	BM 57-90	142	170	BT40-H50-90				2.48	
55571418	BT40-HBOR50-182	BM 57-90	182	210	BT40-H50-130				3.25	
55571422	BT40-HBOR50-222	BM 57-90	222	250	BT40-H50-170				4.12	
56701410	BT40-HBOR63-102	BM 70-110	102	135	BT40-H63-55	HBOR63	BM8	SRTP70110	2.51	
56701415	BT40-HBOR63-152	BM 70-110	152	185	BT40-H63-105				3.72	
56701420	BT40-HBOR63-202	BM 70-110	202	235	BT40-H63-155				4.81	
56711410	BT40-HBOR63-102	BM 110-150	102	135	BT40-H63-55				2.60	
56711415	BT40-HBOR63-152	BM 110-150	152	185	BT40-H63-105	HBOR63	M6	SRTP110150	3.81	
56711420	BT40-HBOR63-202	BM 110-150	202	235	BT40-H63-155				4.90	
56721410	BT40-HBOR63-102	BM 150-190	110	137	BT40-H63-55				3.18	
56721415	BT40-HBOR63-152	BM 150-190	160	187	BT40-H63-105				4.39	
56721420	BT40-HBOR63-202	BM 150-190	210	237	BT40-H63-155	HBOR63	M6	SRTP150190	5.47	
56731410	BT40-HBOR63-102	BM 190-230	110	137	BT40-H63-55				3.30	
56731415	BT40-HBOR63-152	BM 190-230	160	187	BT40-H63-105				SRTP190230	4.51
56731420	BT40-HBOR63-202	BM 190-230	210	237	BT40-H63-155					5.60



訂貨編號 Order No.	規格 Model	範圍 D Boring Range øDMin-øDMax	M	L	精搪孔系統組合 Micro-Finishing Cutter Fine Boring System				淨重 N.W.
					搪孔刀柄 Taper Shank	精搪孔刀本體 Boring Head	連接器 Connector	精搪孔刀座 Cutting Insert Holder	
52291510	BT50-HBOR25-102	M 29-38	102	165	BT50-H25-115	HBOR25	M5	SRTP2938	4.31
52291512	BT50-HBOR25-127	M 29-38	127	190	BT50-H25-140				4.46
52291515	BT50-HBOR25-152	M 29-38	152	215	BT50-H25-165				4.56
53361513	BT50-HBOR32-135	M 36-52	135	198	BT50-H32-135	HBOR32	M6	SRTP3652	4.92
53361516	BT50-HBOR32-165	M 36-52	165	228	BT50-H32-165				5.17
53361520	BT50-HBOR32-200	M 36-52	200	263	BT50-H32-200				5.37
54441513	BT50-HBOR40-135	M 44-68	135	198	BT50-H40-135	HBOR40	M6	SRTP4468	5.43
54441518	BT50-HBOR40-185	M 44-68	185	248	BT50-H40-185				5.98
54441522	BT50-HBOR40-225	M 44-68	225	288	BT50-H40-225				6.43
54441526	BT50-HBOR40-265	M 44-68	265	328	BT50-H40-265	HBOR50	M6	SRTP5790	6.83
55571510	BT50-HBOR50-102	BM 57-90	102	145	BT50-H50-65				4.56
55571520	BT50-HBOR50-202	BM 57-90	202	245	BT50-H50-165				6.11
55571525	BT50-HBOR50-252	BM 57-90	252	295	BT50-H50-215	HBOR63	BM8	SRTP70110	7.06
55571530	BT50-HBOR50-302	BM 57-90	302	345	BT50-H50-265				8.22
56701512	BT50-HBOR63-122	BM 70-110	122	165	BT50-H63-85				5.57
56701520	BT50-HBOR63-202	BM 70-110	202	245	BT50-H63-165	HBOR63	BM8	SRTP70110	7.47
56701525	BT50-HBOR63-252	BM 70-110	252	295	BT50-H63-215				9.02
56701530	BT50-HBOR63-302	BM 70-110	302	345	BT50-H63-265				9.97
56701535	BT50-HBOR63-352	BM 70-110	352	395	BT50-H63-315	HBOR63	BM8	SRTP110150	13.22
56711512	BT50-HBOR63-122	BM 110-150	122	165	BT50-H63-85				5.66
56711520	BT50-HBOR63-202	BM 110-150	202	245	BT50-H63-165				7.56
56711525	BT50-HBOR63-252	BM 110-150	252	295	BT50-H63-215	HBOR63	BM8	SRTP110150	9.11
56711530	BT50-HBOR63-302	BM 110-150	302	345	BT50-H63-265				10.06
56711535	BT50-HBOR63-352	BM 110-150	352	395	BT50-H63-315				13.31
56721512	BT50-HBOR63-122	BM 150-190	124	167	BT50-H63-85	HBOR63	BM8	SRTP150190	6.24
56721520	BT50-HBOR63-202	BM 150-190	204	247	BT50-H63-165				8.14
56721525	BT50-HBOR63-252	BM 150-190	254	297	BT50-H63-215				9.69
56721530	BT50-HBOR63-302	BM 150-190	304	347	BT50-H63-265	HBOR63	BM8	SRTP190230	10.64
56721535	BT50-HBOR63-352	BM 150-190	354	397	BT50-H63-315				12.84
56731512	BT50-HBOR63-122	BM 190-230	124	167	BT50-H63-85				6.36
56731520	BT50-HBOR63-202	BM 190-230	204	247	BT50-H63-165	HBOR63	BM8	SRTP190230	8.26
56731525	BT50-HBOR63-252	BM 190-230	254	297	BT50-H63-215				9.81
56731530	BT50-HBOR63-302	BM 190-230	304	347	BT50-H63-265				10.76
56731535	BT50-HBOR63-352	BM 190-230	354	397	BT50-H63-315	HBOR63	BM8	SRTP190230	12.96

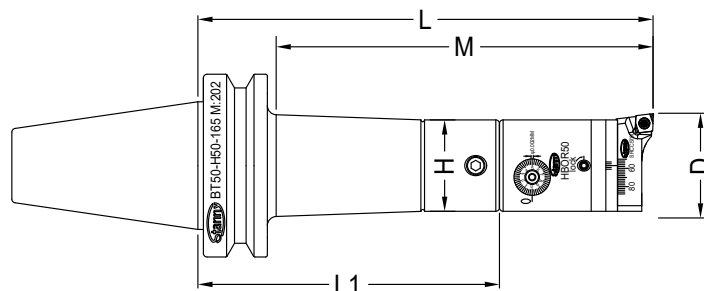
搪孔刀柄、精搪孔刀本體、菱形精搪孔刀座 Taper Shank, Body and Rhombus Cutting Insert Holder

整支 SET

MAS403 BT-HBOR 極細微調精搪孔刀-菱形

MAS403 BT and HBOR Micro-Finishing Rhombus Cutter Fine Boring Head

訂貨編號 Order No.	規格 Model	範圍 D Boring Range øDMin-øDMax	M	L	精搪孔系統組合 Micro-Finishing Cutter Fine Boring and Cutting System				淨重 N.W.
					搪孔刀柄 Taper Shank	精搪孔刀本體 Boring Head	連接器 Connector	菱形精搪孔刀座 Rhombus Cutting Insert Holder	
52291306CC	BT30-HBOR25-60	MCC 29-38	60	85	BT30-H25-35	HBOR25	M5	SRCC2938	0.56
52291307CC	BT30-HBOR25-75	MCC 29-38	75	105	BT30-H25-55				0.62
53361307CC	BT30-HBOR32-75	MCC 36-52	93	98	BT30-H32-35	HBOR32	M6	SRCC3652	0.82
53361309CC	BT30-HBOR32-93	MCC 36-52	93	118	BT30-H32-55				0.79
54441307CC	BT30-HBOR40-75	MCC 44-68	75	98	BT30-H40-35	HBOR40	M6	SRCC4468	0.98
54441309CC	BT30-HBOR40-93	MCC 44-68	93	118	BT30-H40-55				0.95
55571309CC	BT30-HBOR50-93	BMCC 57-90	93	125	BT30-H50-45	HBOR50	BM8	SRCC5790	1.33
56701309CC	BT30-HBOR63-93	BMCC 70-110	145	145	BT30-H63-65	HBOR63			SRCC70110
52291406CC	BT40-HBOR25-60	MCC 29-38	60	90	BT40-H25-40	HBOR25	M5	SRCC2938	1.16
52291409CC	BT40-HBOR25-90	MCC 29-38	90	122	BT40-H25-72				1.28
52291412CC	BT40-HBOR25-123	MCC 29-38	123	150	BT40-H25-100	HBOR32	M6	SRCC3652	1.40
52291414CC	BT40-HBOR25-145	MCC 29-38	145	177	BT40-H25-127				1.54
53361407CC	BT40-HBOR32-75	MCC 36-52	75	103	BT40-H32-40	HBOR32	M6	SRCC3652	1.37
53361410CC	BT40-HBOR32-102	MCC 36-52	102	135	BT40-H32-72				1.57
53361415CC	BT40-HBOR32-150	MCC 36-52	150	183	BT40-H32-120	HBOR40	M6	SRCC4468	1.92
53361416CC	BT40-HBOR32-165	MCC 36-52	165	198	BT40-H32-135				2.03
54441407CC	BT40-HBOR40-73	MCC 44-68	73	103	BT40-H40-40	HBOR40	M6	SRCC4468	1.58
54441410CC	BT40-HBOR40-102	MCC 44-68	102	135	BT40-H40-72				1.84
54441416CC	BT40-HBOR40-162	MCC 44-68	162	193	BT40-H40-130	HBOR50	M6	SRCC4468	2.48
54441421CC	BT40-HBOR40-212	MCC 44-68	212	248	BT40-H40-185				3.05
55571410CC	BT40-HBOR50-102	BMCC 57-90	102	130	BT40-H50-50	HBOR50	M6	SRCC5790	1.91
55571414CC	BT40-HBOR50-142	BMCC 57-90	142	170	BT40-H50-90				2.48
55571418CC	BT40-HBOR50-182	BMCC 57-90	182	210	BT40-H50-130	HBOR63	M6	SRCC5790	3.25
55571422CC	BT40-HBOR50-222	BMCC 57-90	222	250	BT40-H50-170				4.12
56701410CC	BT40-HBOR63-102	BMCC 70-110	102	135	BT40-H63-55	HBOR63	M6	SRCC70110	2.51
56701415CC	BT40-HBOR63-152	BMCC 70-110	152	185	BT40-H63-105				3.72
56701420CC	BT40-HBOR63-202	BMCC 70-110	202	235	BT40-H63-155	HBOR63	M6	SRCC70110	4.81
56711410CC	BT40-HBOR63-102	BMCC 110-150	102	135	BT40-H63-55				2.60
56711415CC	BT40-HBOR63-152	BMCC 110-150	152	185	BT40-H63-105	HBOR63	M6	SRCC110150	3.81
56711420CC	BT40-HBOR63-202	BMCC 110-150	202	235	BT40-H63-155				4.90
56721410CC	BT40-HBOR63-102	BMCC 150-190	102	139	BT40-H63-55	HBOR63	M6	SRCC150190	2.76
56721415CC	BT40-HBOR63-152	BMCC 150-190	152	189	BT40-H63-105				3.97
56721420CC	BT40-HBOR63-202	BMCC 150-190	202	239	BT40-H63-155	HBOR63	M6	SRCC150190	5.06
56731410CC	BT40-HBOR63-102	BMCC 190-230	102	139	BT40-H63-55				2.88
56731415CC	BT40-HBOR63-152	BMCC 190-230	152	189	BT40-H63-105	HBOR63	M6	SRCC190230	4.09
56731420CC	BT40-HBOR63-202	BMCC 190-230	202	239	BT40-H63-155				5.18



訂貨編號 Order No.	規格 Model	範圍 D Boring Range øDMin-øDMax	M	L	精搪孔系統組合 Micro-Finishing Cutter Fine Boring and Cutting System				淨重 N.W.
					搪孔刀柄 Taper Shank	精搪孔刀本體 Boring Head	連接器 Connector	菱形精搪孔刀座 Rhombus Cutting Insert Holder	
52291510CC	BT50-HBOR25-102	MCC 29-38	102	165	BT50-H25-115	HBOR25	M5	SRCC2938	4.31
52291512CC	BT50-HBOR25-127	MCC 29-38	127	190	BT50-H25-140				4.46
52291515CC	BT50-HBOR25-152	MCC 29-38	152	215	BT50-H25-165				4.56
53361513CC	BT50-HBOR32-135	MCC 36-52	135	198	BT50-H32-135	HBOR32	M6	SRCC3652	4.92
53361516CC	BT50-HBOR32-165	MCC 36-52	165	228	BT50-H32-165				5.17
53361520CC	BT50-HBOR32-200	MCC 36-52	200	263	BT50-H32-200				5.37
54441513CC	BT50-HBOR40-135	MCC 44-68	135	198	BT50-H40-135	HBOR40	M6	SRCC4468	5.43
54441518CC	BT50-HBOR40-185	MCC 44-68	185	248	BT50-H40-185				5.98
54441522CC	BT50-HBOR40-225	MCC 44-68	225	288	BT50-H40-225				6.43
54441526CC	BT50-HBOR40-265	MCC 44-68	265	328	BT50-H40-265	HBOR50	M6	SRCC4468	6.83
55571510CC	BT50-HBOR50-102	BMCC 57-90	102	145	BT50-H50-65				4.56
55571520CC	BT50-HBOR50-202	BMCC 57-90	202	245	BT50-H50-165				6.11
55571525CC	BT50-HBOR50-252	BMCC 57-90	252	295	BT50-H50-215	HBOR50	M6	SRCC5790	7.06
55571530CC	BT50-HBOR50-302	BMCC 57-90	302	345	BT50-H50-265				8.22
56701512CC	BT50-HBOR63-122	BMCC 70-110	122	165	BT50-H63-85				5.57
56701520CC	BT50-HBOR63-202	BMCC 70-110	202	245	BT50-H63-165	HBOR63	BM8	SRCC70110	7.47
56701525CC	BT50-HBOR63-252	BMCC 70-110	252	295	BT50-H63-215				9.02
56701530CC	BT50-HBOR63-302	BMCC 70-110	302	345	BT50-H63-265				9.97
56701535CC	BT50-HBOR63-352	BMCC 70-110	352	395	BT50-H63-315	HBOR63	BM8	SRCC110150	13.22
56711512CC	BT50-HBOR63-122	BMCC 110-150	122	165	BT50-H63-85				5.66
56711520CC	BT50-HBOR63-202	BMCC 110-150	202	245	BT50-H63-165				7.56
56711525CC	BT50-HBOR63-252	BMCC 110-150	252	295	BT50-H63-215	HBOR63	BM8	SRCC110150	9.11
56711530CC	BT50-HBOR63-302	BMCC 110-150	302	345	BT50-H63-265				10.06
56711535CC	BT50-HBOR63-352	BMCC 110-150	352	395	BT50-H63-315				13.31
56721512CC	BT50-HBOR63-122	BMCC 150-190	122	169	BT50-H63-85	HBOR63	BM8	SRCC150190	5.82
56721520CC	BT50-HBOR63-202	BMCC 150-190	202	249	BT50-H63-165				7.72
56721525CC	BT50-HBOR63-252	BMCC 150-190	252	299	BT50-H63-215				9.27
56721530CC	BT50-HBOR63-302	BMCC 150-190	302	349	BT50-H63-265	HBOR63	BM8	SRCC150190	10.22
56721535CC	BT50-HBOR63-352	BMCC 150-190	352	399	BT50-H63-315				13.47
56731512CC	BT50-HBOR63-122	BMCC 190-230	122	169	BT50-H63-85				5.94
56731520CC	BT50-HBOR63-202	BMCC 190-230	202	249	BT50-H63-165	HBOR63	BM8	SRCC190230	7.84
56731525CC	BT50-HBOR63-252	BMCC 190-230	252	299	BT50-H63-215				9.39
56731530CC	BT50-HBOR63-302	BMCC 190-230	302	349	BT50-H63-265				10.34
56731535CC	BT50-HBOR63-352	BMCC 190-230	352	399	BT50-H63-315	HBOR63	BM8	SRCC190230	13.59

搪孔刀柄、精搪孔刀本體、精搪孔反搪刀座 Taper Shank, Body and Reverse Cutting Insert Holder

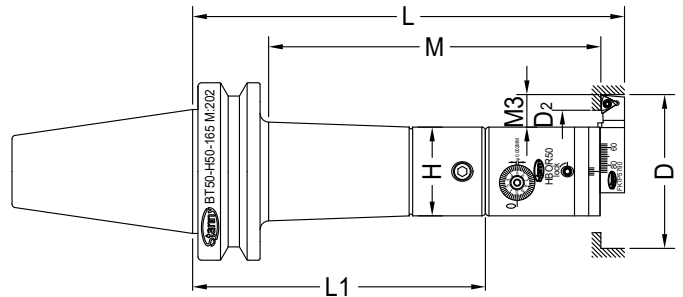


整支 SET

MAS403 BT-HBOR 極細微調反搪精搪孔刀

MAS403 BT and HBOR Micro-Finishing Cutter for Reverse Fine Boring Head

訂貨編號 Order No.	規 格 Model	範 圍 D Boring Range øDMin-øDMax	M3	M	L	反搪精搪孔系統組合 Micro-Finishing Cutter for Reverse Fine Boring and Cutting System				淨 重 N.W.
						搪孔刀柄 Taper Shank	精搪孔刀本體 Boring Head	連接器 Connector	精搪孔反搪刀座 Reverse Cutting Insert Holder	
52291305K	BT30-HBOR25-51 MK	29-38	2-6	51	87	BT30-H25-35	HBOR25	M5	FKTP2938	0.56
52291307K	BT30-HBOR25-71 MK	29-38	2-6	71	107	BT30-H25-55				0.65
53361306K	BT30-HBOR32-61 MK	36-52	2-10	61	99	BT30-H32-35	HBOR32	M6	FKTP3652	0.82
53361308K	BT30-HBOR32-84 MK	36-52	2-10	84	119	BT30-H32-55				0.91
54441306K	BT30-HBOR40-67 MK	44-68	2-14	67	99	BT30-H40-35	HBOR40	BM8	FKTP4468	0.98
54441308K	BT30-HBOR40-85 MK	44-68	2-14	85	119	BT30-H40-55				1.16
55571308K	BT30-HBOR50-85 BMK	57-90	3-20	85	124	BT30-H50-45	HBOR50	BM8	FKTP5790	1.59
56701310K	BT30-HBOR63-105 BMK	70-110	3-23	105	142	BT30-H63-65				2.53
52291405K	BT40-HBOR25-50 MK	29-38	2-6	50	92	BT40-H25-40	HBOR25	M5	FKTP2938	1.16
52291408K	BT40-HBOR25-84 MK	29-38	2-6	84	124	BT40-H25-72				1.28
52291411K	BT40-HBOR25-113 MK	29-38	2-6	113	152	BT40-H25-100	HBOR32	M6	FKTP3652	1.40
52291414K	BT40-HBOR25-140 MK	29-38	2-6	140	179	BT40-H25-127				1.54
53361406K	BT40-HBOR32-60 MK	36-52	2-10	60	104	BT40-H32-40	HBOR32	M6	FKTP3652	1.37
53361409K	BT40-HBOR32-93 MK	36-52	2-10	93	136	BT40-H32-72				1.57
53361414K	BT40-HBOR32-141 MK	36-52	2-10	141	184	BT40-H32-120	HBOR40	BM8	FKTP4468	1.92
53361415K	BT40-HBOR32-156 MK	36-52	2-10	156	199	BT40-H32-135				2.03
54441406K	BT40-HBOR40-64 MK	44-68	2-14	64	106	BT40-H40-40	HBOR40	M6	FKTP4468	1.58
54441409K	BT40-HBOR40-95 MK	44-68	2-14	95	136	BT40-H40-72				1.84
54441415K	BT40-HBOR40-152 MK	44-68	2-14	152	194	BT40-H40-130	HBOR50	BM8	FKTP5790	2.48
54441420K	BT40-HBOR40-207 MK	44-68	2-14	207	249	BT40-H40-185				3.05
55571408K	BT40-HBOR50-84 BMK	57-90	3-20	84	129	BT40-H50-50	HBOR50	M6	FKTP5790	1.91
55571412K	BT40-HBOR50-123 BMK	57-90	3-20	123	169	BT40-H50-90				2.48
55571416K	BT40-HBOR50-163 BMK	57-90	3-20	163	209	BT40-H50-130	HBOR63	BM8	FKTP70110	3.25
55571420K	BT40-HBOR50-203 BMK	57-90	3-20	203	249	BT40-H50-170				4.12
56701409K	BT40-HBOR63-90 BMK	70-110	3-23	90	133	BT40-H63-55	HBOR63	BM8	FKTP70110	2.89
56701414K	BT40-HBOR63-140 BMK	70-110	3-23	140	183	BT40-H63-105				4.10
56701419K	BT40-HBOR63-190 BMK	70-110	3-23	190	233	BT40-H63-155	HBOR63	BM8	FKTP110150	5.19
56711409K	BT40-HBOR63-90 BMK	110-150	23-43	90	133	BT40-H63-55				2.99
56711414K	BT40-HBOR63-140 BMK	110-150	23-43	140	183	BT40-H63-105	HBOR63	BM8	FKTP150190	4.20
56711419K	BT40-HBOR63-190 BMK	110-150	23-43	190	233	BT40-H63-155				5.29
56721409K	BT40-HBOR63-90 BMK	150-190	43-63	90	133	BT40-H63-55	HBOR63	BM8	FKTP190230	3.05
56721414K	BT40-HBOR63-140 BMK	150-190	43-63	140	183	BT40-H63-105				4.26
56721419K	BT40-HBOR63-190 BMK	150-190	43-63	190	233	BT40-H63-155	HBOR63	BM8	FKTP190230	5.35
56731409K	BT40-HBOR63-90 BMK	190-230	63-83	90	133	BT40-H63-55				3.12
56731414K	BT40-HBOR63-140 BMK	190-230	63-83	140	183	BT40-H63-105	HBOR63	BM8	FKTP190230	4.33
56731419K	BT40-HBOR63-190 BMK	190-230	63-83	190	233	BT40-H63-155				5.42



$D_2 > e$
下刀徑: $D_2 \times 2 - D > HBOR_$

訂貨編號 Order No.	規格 Model	範圍 D Boring Range $\phi D_{Min} - \phi D_{Max}$	M3	M	L	反搪精搪孔系統組合 Micro-Finishing Cutter for Reverse Fine Boring and Cutting System				淨重 N.W.
						搪孔刀柄 Taper Shank	精搪孔刀本體 Boring Head	連接器 Connector	精搪孔反搪刀座 Reverse Cutting Insert Holder	
52291509K	BT50-HBOR25-94	MK 29-38	2-6	94	168	BT50-H25-115				4.31
52291511K	BT50-HBOR25-119	MK 29-38	2-6	119	193	BT50-H25-140	HBOR25	M5	FKTP2938	4.46
52291514K	BT50-HBOR25-144	MK 29-38	2-6	144	218	BT50-H25-165				4.56
53361512K	BT50-HBOR32-124	MK 36-52	2-10	124	198	BT50-H32-135				4.92
53361515K	BT50-HBOR32-154	MK 36-52	2-10	154	228	BT50-H32-165	HBOR32		FKTP3652	5.17
53361518K	BT50-HBOR32-189	MK 36-52	2-10	189	263	BT50-H32-200				5.37
54441512K	BT50-HBOR40-125	MK 44-68	2-14	125	199	BT50-H40-135		M6		5.43
54441517K	BT50-HBOR40-175	MK 44-68	2-14	175	249	BT50-H40-185	HBOR40		FKTP4468	5.98
54441521K	BT50-HBOR40-215	MK 44-68	2-14	215	289	BT50-H40-225				6.43
54441525K	BT50-HBOR40-255	MK 44-68	2-14	255	329	BT50-H40-265				6.83
55571508K	BT50-HBOR50-86	BMK 57-90	3-20	86	143	BT50-H50-65				4.82
55571518K	BT50-HBOR50-186	BMK 57-90	3-20	186	243	BT50-H50-165	HBOR50		FKTP5790	6.37
55571523K	BT50-HBOR50-236	BMK 57-90	3-20	236	293	BT50-H50-215				7.32
55571528K	BT50-HBOR50-286	BMK 57-90	3-20	286	343	BT50-H50-265				8.22
56701510K	BT50-HBOR63-104	BMK 70-110	3-23	104	163	BT50-H63-85				5.95
56701518K	BT50-HBOR63-184	BMK 70-110	3-23	184	243	BT50-H63-165				7.85
56701523K	BT50-HBOR63-234	BMK 70-110	3-23	234	293	BT50-H63-215			FKTP70110	9.40
56701528K	BT50-HBOR63-284	BMK 70-110	3-23	284	343	BT50-H63-265				10.35
56701533K	BT50-HBOR63-334	BMK 70-110	3-23	334	393	BT50-H63-315				13.60
56711510K	BT50-HBOR63-104	BMK 110-150	23-43	104	163	BT50-H63-85				6.05
56711518K	BT50-HBOR63-184	BMK 110-150	23-43	184	243	BT50-H63-165				7.95
56711523K	BT50-HBOR63-234	BMK 110-150	23-43	234	293	BT50-H63-215		BM8	FKTP110150	9.50
56711528K	BT50-HBOR63-284	BMK 110-150	23-43	284	343	BT50-H63-265				10.45
56711533K	BT50-HBOR63-334	BMK 110-150	23-43	334	393	BT50-H63-315				13.70
56721510K	BT50-HBOR63-104	BMK 150-190	43-63	104	163	BT50-H63-85	HBOR63			6.11
56721518K	BT50-HBOR63-184	BMK 150-190	43-63	184	243	BT50-H63-165				8.01
56721523K	BT50-HBOR63-234	BMK 150-190	43-63	234	293	BT50-H63-215			FKTP150190	9.56
56721528K	BT50-HBOR63-284	BMK 150-190	43-63	284	343	BT50-H63-265				10.51
56721533K	BT50-HBOR63-334	BMK 150-190	43-63	334	393	BT50-H63-315				12.71
56731510K	BT50-HBOR63-104	BMK 190-230	63-83	104	163	BT50-H63-85				6.18
56731518K	BT50-HBOR63-184	BMK 190-230	63-83	184	243	BT50-H63-165				8.08
56731523K	BT50-HBOR63-234	BMK 190-230	63-83	234	293	BT50-H63-215			FKTP190230	9.63
56731528K	BT50-HBOR63-284	BMK 190-230	63-83	284	343	BT50-H63-265				10.58
56731533K	BT50-HBOR63-334	BMK 190-230	63-83	334	393	BT50-H63-315				12.78

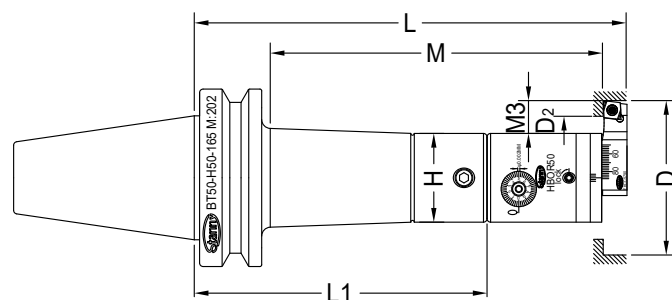


整支 SET

MAS403 BT-HBOR 極細微調菱形反搪精搪孔刀

MAS403 BT and HBOR Micro-Finishing Cutter for Rhombus Reverse Fine Boring Head

訂貨編號 Order No.	規格 Model	範圍 D Boring Range øDMin-øDMax	M3	M	L	反搪精搪孔系統組合 Micro-Finishing Cutter for Reverse Fine Boring and Cutting System				淨重 N.W.	
						搪孔刀柄 Taper Shank	精搪孔刀本體 Boring Head	連接器 Connector	菱形精搪孔反搪刀座 Rhombus Reverse Cutting Insert Holder		
52291305KC	BT30-HBOR25-51	MKC	29-38	2-6	51	87	BT30-H25-35	HBOR25	M5	FKCC2938	0.56
52291307KC	BT30-HBOR25-71	MKC	29-38	2-6	71	107	BT30-H25-55				0.65
53361306KC	BT30-HBOR32-61	MKC	36-52	2-10	61	99	BT30-H32-35	HBOR32	M6	FKCC3652	0.82
53361308KC	BT30-HBOR32-84	MKC	36-52	2-10	84	119	BT30-H32-55				0.91
54441306KC	BT30-HBOR40-67	MKC	44-68	2-14	67	99	BT30-H40-35	HBOR40	M6	FKCC4468	0.98
54441308KC	BT30-HBOR40-85	MKC	44-68	2-14	85	119	BT30-H40-55				1.16
55571308KC	BT30-HBOR50-85	BMKC	57-90	3-20	85	124	BT30-H50-45	HBOR50	BM8	FKCC5790	1.59
56701310KC	BT30-HBOR63-105	BMKC	70-110	3-23	105	142	BT30-H63-65				2.53
52291405KC	BT40-HBOR25-50	MKC	29-38	2-6	50	92	BT40-H25-40	HBOR25	M5	FKCC2938	1.16
52291408KC	BT40-HBOR25-84	MKC	29-38	2-6	84	124	BT40-H25-72				1.28
52291411KC	BT40-HBOR25-113	MKC	29-38	2-6	113	152	BT40-H25-100	HBOR25	M5	FKCC2938	1.40
52291414KC	BT40-HBOR25-140	MKC	29-38	2-6	140	179	BT40-H25-127				1.54
53361406KC	BT40-HBOR32-60	MKC	36-52	2-10	60	104	BT40-H32-40	HBOR32	M6	FKCC3652	1.37
53361409KC	BT40-HBOR32-93	MKC	36-52	2-10	93	136	BT40-H32-72				1.57
53361414KC	BT40-HBOR32-141	MKC	36-52	2-10	141	184	BT40-H32-120	HBOR32	M6	FKCC3652	1.92
53361415KC	BT40-HBOR32-156	MKC	36-52	2-10	156	199	BT40-H32-135				2.03
54441406KC	BT40-HBOR40-64	MKC	44-68	2-14	64	106	BT40-H40-40	HBOR40	M6	FKCC4468	1.58
54441409KC	BT40-HBOR40-95	MKC	44-68	2-14	95	136	BT40-H40-72				1.84
54441415KC	BT40-HBOR40-152	MKC	44-68	2-14	152	194	BT40-H40-130	HBOR40	M6	FKCC4468	2.48
54441420KC	BT40-HBOR40-207	MKC	44-68	2-14	207	249	BT40-H40-185				3.05
55571408KC	BT40-HBOR50-84	BMKC	57-90	3-20	84	129	BT40-H50-50	HBOR50	M6	FKCC5790	1.91
55571412KC	BT40-HBOR50-123	BMKC	57-90	3-20	123	169	BT40-H50-90				2.48
55571416KC	BT40-HBOR50-163	BMKC	57-90	3-20	163	209	BT40-H50-130	HBOR50	M6	FKCC5790	3.25
55571420KC	BT40-HBOR50-203	BMKC	57-90	3-20	203	249	BT40-H50-170				4.12
56701409KC	BT40-HBOR63-90	BMKC	70-110	3-23	90	133	BT40-H63-55	HBOR63	BM8	FKCC70110	2.89
56701414KC	BT40-HBOR63-140	BMKC	70-110	3-23	140	183	BT40-H63-105				4.10
56701419KC	BT40-HBOR63-190	BMKC	70-110	3-23	190	233	BT40-H63-155	HBOR63	BM8	FKCC70110	5.19
56711409KC	BT40-HBOR63-90	BMKC	110-150	23-43	90	133	BT40-H63-55				2.99
56711414KC	BT40-HBOR63-140	BMKC	110-150	23-43	140	183	BT40-H63-105	HBOR63	BM8	FKCC110150	4.20
56711419KC	BT40-HBOR63-190	BMKC	110-150	23-43	190	233	BT40-H63-155				5.29
56721409KC	BT40-HBOR63-90	BMKC	150-190	43-63	90	138	BT40-H63-55	HBOR63	BM8	FKCC150190	3.03
56721414KC	BT40-HBOR63-140	BMKC	150-190	43-63	140	188	BT40-H63-105				4.24
56721419KC	BT40-HBOR63-190	BMKC	150-190	43-63	190	238	BT40-H63-155	HBOR63	BM8	FKCC190230	5.33
56731409KC	BT40-HBOR63-90	BMKC	190-230	63-83	90	138	BT40-H63-55				3.10
56731414KC	BT40-HBOR63-140	BMKC	190-230	63-83	140	188	BT40-H63-105	HBOR63	BM8	FKCC190230	4.31
56731419KC	BT40-HBOR63-190	BMKC	190-230	63-83	190	238	BT40-H63-155				5.40



$D_2 > e$
下刀徑: $D_2 \times 2 - D > HBOR$

訂貨編號 Order No.	規格 Model	範圍 D Boring Range oDMin-oDMax	M3	M	L	反搪精搪孔系統組合 Micro-Finishing Cutter for Reverse Fine Boring and Cutting System				淨重 N.W.	
						搪孔刀柄 Taper Shank	精搪孔刀本體 Boring Head	連接器 Connector	菱形精搪孔反搪刀座 Rhombus Reverse Cutting Insert Holder		
52291509KC	BT50-HBOR25-94	MKC	29-38	2-6	94	168	BT50-H25-115	HBOR25	M5	FKCC2938	4.31
52291511KC	BT50-HBOR25-119	MKC	29-38	2-6	119	193	BT50-H25-140				4.46
52291514KC	BT50-HBOR25-144	MKC	29-38	2-6	144	218	BT50-H25-165				4.56
53361512KC	BT50-HBOR32-124	MKC	36-52	2-10	124	198	BT50-H32-135	HBOR32	M6	FKCC3652	4.92
53361515KC	BT50-HBOR32-154	MKC	36-52	2-10	154	228	BT50-H32-165				5.17
53361518KC	BT50-HBOR32-189	MKC	36-52	2-10	189	263	BT50-H32-200				5.37
54441512KC	BT50-HBOR40-125	MKC	44-68	2-14	125	199	BT50-H40-135	HBOR40	M6	FKCC4468	5.43
54441517KC	BT50-HBOR40-175	MKC	44-68	2-14	175	249	BT50-H40-185				5.98
54441521KC	BT50-HBOR40-215	MKC	44-68	2-14	215	289	BT50-H40-225				6.43
54441525KC	BT50-HBOR40-255	MKC	44-68	2-14	255	329	BT50-H40-265	HBOR50	M6	FKCC5790	6.83
55571508KC	BT50-HBOR50-86	BMKC	57-90	3-20	86	143	BT50-H50-65				4.82
55571518KC	BT50-HBOR50-186	BMKC	57-90	3-20	186	243	BT50-H50-165				6.37
55571523KC	BT50-HBOR50-236	BMKC	57-90	3-20	236	293	BT50-H50-215	HBOR50	M6	FKCC5790	7.32
55571528KC	BT50-HBOR50-286	BMKC	57-90	3-20	286	343	BT50-H50-265				8.22
56701510KC	BT50-HBOR63-105	BMKC	70-110	3-23	105	163	BT50-H63-85				5.95
56701518KC	BT50-HBOR63-185	BMKC	70-110	3-23	185	243	BT50-H63-165	HBOR63	BM8	FKCC70110	7.85
56701523KC	BT50-HBOR63-235	BMKC	70-110	3-23	235	293	BT50-H63-215				9.40
56701528KC	BT50-HBOR63-285	BMKC	70-110	3-23	285	343	BT50-H63-265				10.35
56701533KC	BT50-HBOR63-335	BMKC	70-110	3-23	335	393	BT50-H63-315	HBOR63	BM8	FKCC110150	13.60
56711510KC	BT50-HBOR63-104	BMKC	110-150	23-43	104	163	BT50-H63-85				6.05
56711518KC	BT50-HBOR63-184	BMKC	110-150	23-43	184	243	BT50-H63-165				7.95
56711523KC	BT50-HBOR63-234	BMKC	110-150	23-43	234	293	BT50-H63-215	HBOR63	BM8	FKCC110150	9.50
56711528KC	BT50-HBOR63-284	BMKC	110-150	23-43	284	343	BT50-H63-265				10.45
56711533KC	BT50-HBOR63-334	BMKC	110-150	23-43	334	393	BT50-H63-315				13.70
56721510KC	BT50-HBOR63-104	BMKC	150-190	43-63	104	168	BT50-H63-85	HBOR63	BM8	FKCC150190	6.09
56721518KC	BT50-HBOR63-184	BMKC	150-190	43-63	184	248	BT50-H63-165				7.99
56721523KC	BT50-HBOR63-234	BMKC	150-190	43-63	234	298	BT50-H63-215				9.54
56721528KC	BT50-HBOR63-284	BMKC	150-190	43-63	284	348	BT50-H63-265	HBOR63	BM8	FKCC150190	10.49
56721533KC	BT50-HBOR63-334	BMKC	150-190	43-63	334	398	BT50-H63-315				13.74
56731510KC	BT50-HBOR63-104	BMKC	190-230	63-83	104	168	BT50-H63-85				6.16
56731518KC	BT50-HBOR63-184	BMKC	190-230	63-83	184	248	BT50-H63-165	HBOR63	BM8	FKCC190230	8.06
56731523KC	BT50-HBOR63-234	BMKC	190-230	63-83	234	298	BT50-H63-215				9.61
56731528KC	BT50-HBOR63-284	BMKC	190-230	63-83	284	348	BT50-H63-265				10.56
56731533KC	BT50-HBOR63-334	BMKC	190-230	63-83	334	398	BT50-H63-315	13.81			

HBOR25P

極細微調精搪孔系統

Micro-Finishing Cutter Fine Boring System

整組SET G2.5 12000rpm



訂貨編號 Order No.	規格 Model	L1	淨重 N.W
52161303P	BT30-HBOR25P	35	0.63
52161404P	BT40-HBOR25P	40	1.22
52162303P	SK30-HBOR25P	30	0.58
52162403P	SK40-HBOR25P	30	0.72
52164604P	HSK63-HBOR25P	40	0.92

鎢鋼刀桿 Carbide Bar

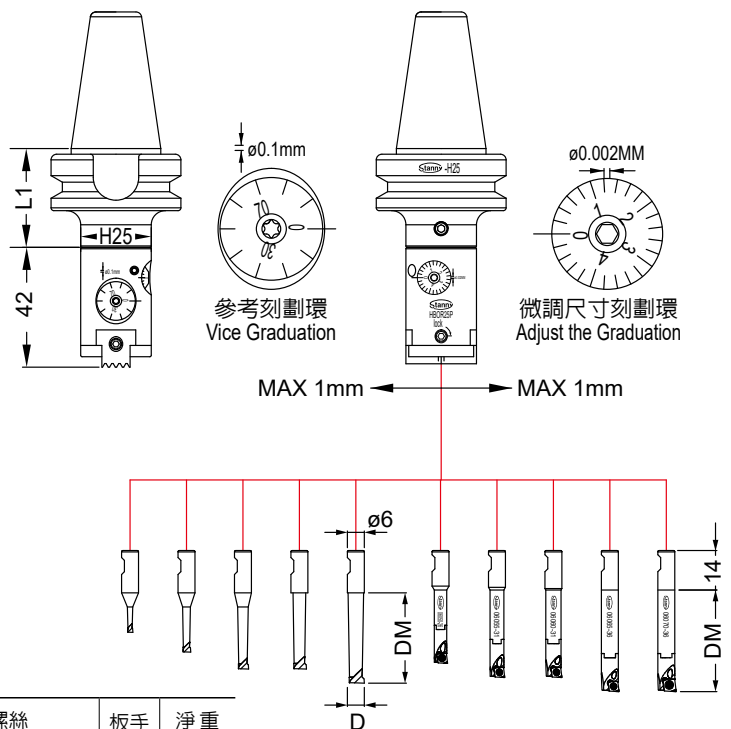
訂貨編號 Order No.	規格 Model	範圍 D Boring Range øDMin-øDMax	深度 DM	淨重 N.W
50060209T	CA0602-09T	2-3.2	9	0.01
50060316T	CA0603-16T	3-4.2	16	
50060422T	CA0604-22T	4-5.2	22	
50060527T	CA0605-27T	5-6.2	27	
50060632T	CA0606-32T	6-7.2	32	0.02

鎢鋼刀桿 Carbide Cutting Bar

訂貨編號 Order No.	規格 Model	範圍 D Boring Range øDMin-øDMax	深度 DM	刀片 Insert	螺絲 Bolt	板手 Wrench	淨重 N.W
5006605021	CB06050-21	5-6	21				0.0078
5006605526	CB06055-26	5.5-6.5	26	CCGT0301..L	SB-1630TR-M1.6	T6	0.0100
5006606026	CB06060-26	6-7					0.0106
5006606531	CB06065-31	6.5-7.5	31				0.0142
5006607031	CB06070-31	7-8		CCGT0401..L	SB-2040TR-M2		0.0146

鎢鋼刀桿 Carbide Cutting Bar

訂貨編號 Order No.	規格 Model	範圍 D Boring Range øDMin-øDMax	深度 DM	刀片 Insert	螺絲 Bolt	板手 Wrench	淨重 N.W
5006605026	CB06050-26	5-6	26			T6	0.0090
5006605531	CB06055-31	5.5-6.5	31	CCGT0301..L	SB-1630TR-M1.6		0.0112
5006606031	CB06060-31	6-7					0.0124
5006606536	CB06065-36	6.5-7.5	36				0.0162
5006607036	CB06070-36	7-8		CCGT0401..L	SB-2040TR-M2		0.0160



HBOR32P

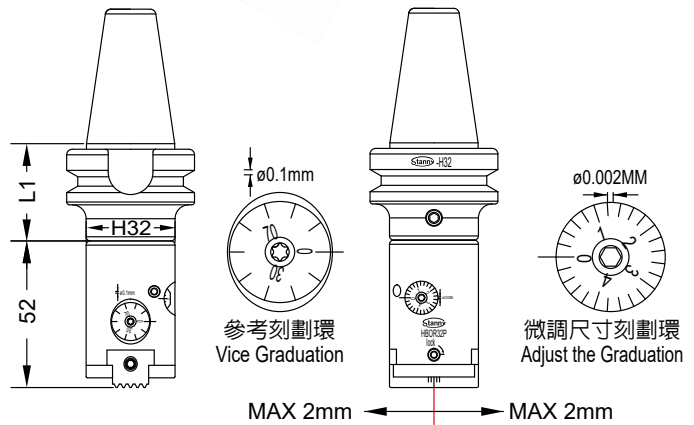
極細微調精搪孔系統

Micro-Finishing Cutter Fine Boring System

整組SET G2.5 12000rpm

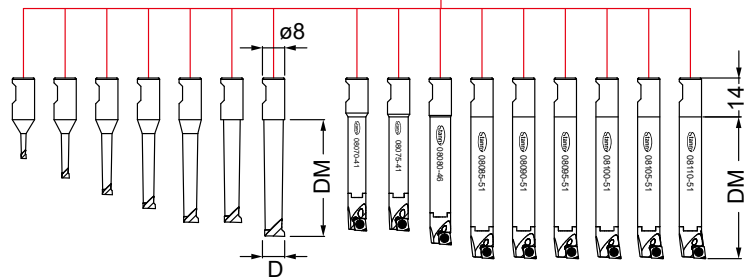


訂貨編號 Order No.	規格 Model	L1	淨重 N.W
53181303P	BT30-HBOR32P	35	0.76
53181404P	BT40-HBOR32P	40	1.35
53182303P	SK30-HBOR32P	35	0.71
53182403P	SK40-HBOR32P	35	1.30
53184604P	HSK63-HBOR32P	40	1.32



鎢鋼刀桿 Carbide Bar

訂貨編號 Order No.	規格 Model	範圍 D Boring Range øDMin-øDMax	深度 DM	淨重 N.W
50080209T	CA0802-09T	2-3.2	9	0.03
50080316T	CA0803-16T	3-4.2	16	
50080422T	CA0804-22T	4-5.2	22	
50080527T	CA0805-27T	5-6.2	27	0.04
50080632T	CA0806-32T	6-7.2	32	
50080737T	CA0807-37T	7-8.2	37	
50080842T	CA0808-42T	8-9.2	42	0.05



鎢鋼刀桿 Carbide Cutting Bar

訂貨編號 Order No.	規格 Model	範圍 D Boring Range øDMin-øDMax	深度 DM	刀片 Insert	螺絲 Bolt	扳手 Wrench	淨重 N.W
5008807031	CB08070-31	7-8	31	CCGT0401..L	SB-2040TR-M2	T6	0.0200
5008807536	CB08075-36	7.5-8.5	36				0.0232
5008808036	CB08080-36	8-9					0.0264
5008808541	CB08085-41	8.5-9.5	41				0.0332
5008809041	CB08090-41	9-10					0.0334
5008809541	CB08095-41	9.5-10.5					0.0338
5008810041	CB08100-41	10-11					0.0340
5008810541	CB08105-41	10.5-11.5					0.0334
5008811041	CB08110-41	11-12					0.0344



HBOR40P

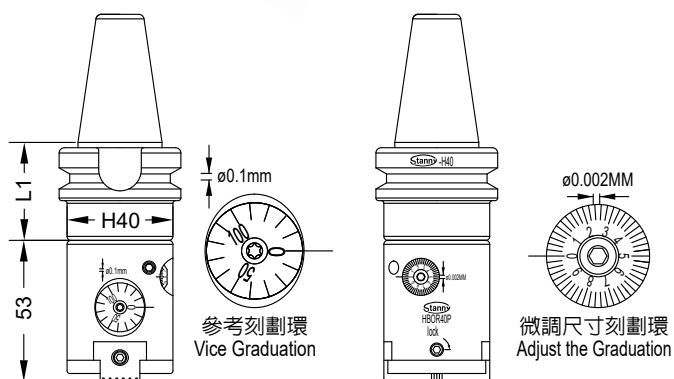
極細微調精搪孔系統

Micro-Finishing Cutter Fine Boring System

整組SET G2.5 12000rpm

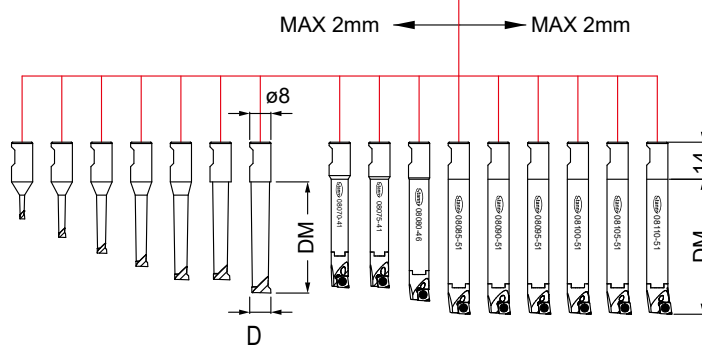


訂貨編號 Order No.	規格 Model	L1	淨重 N.W
54181303P	BT30-HBOR40P	35	0.95
54181404P	BT40-HBOR40P	40	1.34
54182303P	SK30-HBOR40P	35	0.90
54182403P	SK40-HBOR40P		1.29
54184604P	HSK63-HBOR40P	45	0.92



鎢鋼刀桿 Carbide Bar

訂貨編號 Order No.	規格 Model	範圍 D Boring Range øDMin-øDMax	深度 DM	淨重 N.W
50080209T	CA0802-09T	2-3.2	9	0.03
50080316T	CA0803-16T	3-4.2	16	0.03
50080422T	CA0804-22T	4-5.2	22	0.03
50080527T	CA0805-27T	5-6.2	27	0.04
50080632T	CA0806-32T	6-7.2	32	0.04
50080737T	CA0807-37T	7-8.2	37	0.04
50080842T	CA0808-42T	8-9.2	42	0.05



鎢鋼刀桿 Carbide Cutting Bar

訂貨編號 Order No.	規格 Model	範圍 D Boring Range øDMin-øDMax	深度 DM	刀片 Insert	螺絲 Bolt	板手 Wrench	淨重 N.W
5008807041	CB08070-41	7-8	41	CCGT0401..L	SB-2040TR-M2	T6	0.0234
5008807541	CB08075-41	7.5-8.5					0.0262
5008808046	CB08080-46	8-9	46				0.0326
5008808551	CB08085-51	8.5-9.5	51				0.0396
5008809051	CB08090-51	9-10					0.0404
5008809551	CB08095-51	9.5-10.5					0.0402
5008810051	CB08100-51	10-11					0.0402
5008810551	CB08105-51	10.5-11.5					0.0406
5008811051	CB08110-51	11-12	0.0404				

HBOR50P

極細微調精搪孔系統

Micro-Finishing Cutter Fine Boring System

整組SET G2.5 12000rpm $\phi 5 \sim \phi 11$



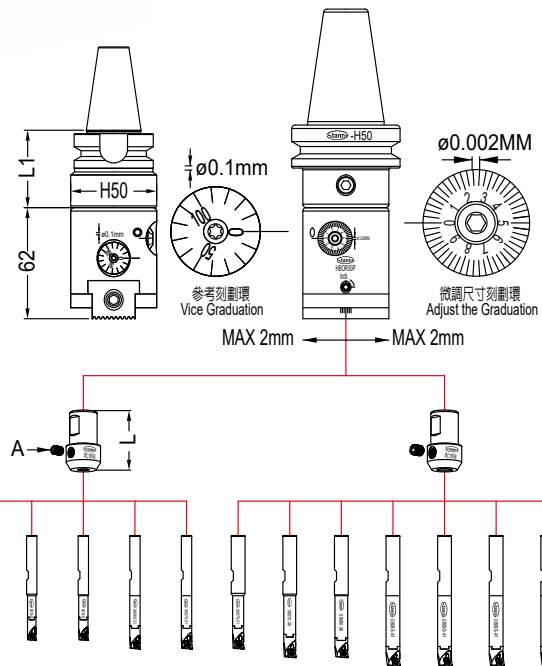
訂貨編號 Order No.	規格 Model	範圍 D Boring Range $\phi D_{Min} - \phi D_{Max}$	組合系統-主軸柄規格 Taper Shank	L1	淨重 N.W.
55801304CR	BT30-HBOR50P	5-11	MAS403 BT30-H50-45	45	5.84
55801405CR	BT40-HBOR50P	5-11	MAS403 BT40-H50-50	50	6.42
55801506CR	BT50-HBOR50P	5-11	MAS403 BT50-H50-65	65	9.07
55802305CR	SK30-HBOR50P	5-11	DIN69871A ISO30-H50-55	55	5.97
55802405CR	SK40-HBOR50P	5-11	DIN69871A ISO40-H50-50	50	6.39
55802505CR	SK50-HBOR50P	5-11	DIN69871A ISO50-H50-50	50	8.62
55804605CR	HSK63-HBOR50P	5-11	DIN69893A HSK63-H50-57	57	6.13

套筒 Sleeve

訂貨編號 Order No.	規格 Model	內徑 Inner	L	A螺絲 A-Bolt	鎢鋼刀桿 Carbide Cutting Bar	淨重 N.W.
50081606	BC1606	$\phi 6$	34	M5	CR06...	0.0542
50081608	BC1608	$\phi 8$		M6	CR08...	0.0484

鎢鋼刀桿 Carbide Cutting Bar

訂貨編號 Order No.	規格 Model	範圍 D Boring Range $\phi D_{Min} - \phi D_{Max}$	深度 DM	套筒 Sleeve	刀片 Insert	螺絲 Bolt	扳手 Wrench	淨重 N.W.
5007605021	CR06050-21	5-6	21	BC1606	CCGT0301..L	SB-1630TR-M1.6	T6	0.0184
5007605526	CR06055-26	5.5-6.5	26					0.0204
5007606026	CR06060-26	6-7	26					0.0214
5007606531	CR06065-31	6.5-7.5	31					0.0250
5007607031	CR06070-31	7-8	31					0.0250
5009807031	CR08070-31	7-8	36	BC1608	CCGT0401..L	SB-2040TR-M2	0.0380	
5009807536	CR08075-36	7.5-8.5					36	0.0420
5009808036	CR08080-36	8-9					36	0.0450
5009808541	CR08085-41	8.5-9.5					41	0.0518
5009809041	CR08090-41	9-10					41	0.0518
5009809541	CR08095-41	9.5-10.5	41	BC1608	CCGT0401..L	SB-2040TR-M2	0.0520	
5009810041	CR08100-41	10-11					41	0.0520
5009810541	CR08105-41	10.5-11.5					41	0.0520
5009811041	CR08110-41	11-12					41	0.0524



HBOR50P

極細微調精搪孔系統 — 菱形 Micro-Finishing Cutter Fine Boring System

整組SET G2.5 12000rpm $\phi 11 \sim \phi 90$



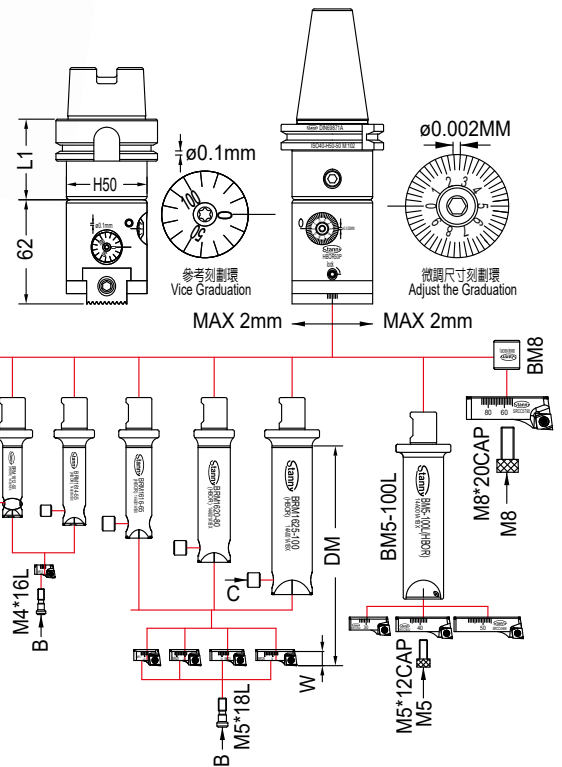
訂貨編號 Order No.	規格 Model	範圍 D Boring Range $\phi D_{Min} - \phi D_{Max}$	組合系統-主軸柄規格 Taper Shank	L1	淨重 N.W.
55801304RM	BT30-HBOR50P	11-90	MAS403 BT30-H50-45	45	6.85
55801405RM	BT40-HBOR50P	11-90	MAS403 BT40-H50-50	50	7.43
55801506RM	BT50-HBOR50P	11-90	MAS403 BT50-H50-65	65	10.08
55802305RM	SK30-HBOR50P	11-90	DIN69871A ISO30-H50-55	55	6.98
55802405RM	SK40-HBOR50P	11-90	DIN69871A ISO40-H50-50	50	7.40
55802505RM	SK50-HBOR50P	11-90	DIN69871A ISO50-H50-50	50	9.63
55804605RM	HSK63-HBOR50P	11-90	DIN69893A HSK63-H50-57	57	7.14

接桿 Shank

訂貨編號 Order No.	規格 Model	X	深度 DM	C導程螺帽 C-NUT	螺絲 B-Bolt	板手 Wrench	淨重 N.W
50171004	BRM1610-40	45	41	NUT6	SLCS-M3	T8	0.07
50171205	BRM1612-50	54	51	NUT7	SLCS-M4	T15	0.09
50171405	BRM1614-55	59	56				0.11
50171606	BRM1616-65	67	66	NUT9	SLCS-M5	T25	0.14
50172008	BRM1620-80	82	81				0.22
50172510	BRM1625-100	102	101				0.41
50162510	BM5-100L	96	88+		M5×12	◇4	0.40
50501608	BM8				M8×20	◇6	0.03

搪孔刀座 Cutting Insert Holder

訂貨編號 Order No.	規格 Model	範圍 D Boring Range $\phi D_{Min} - \phi D_{Max}$	刀座高度 W	接桿 Shank	刀片 Insert	螺絲 Bolt	板手 Wrench	淨重 N.W
50061114	MR11	11-14	6	BRM1610-40	CCGT0301..L	SB-1630TR-M1.6	T6	0.002
50061317	MR13	13-17	7	BRM1612-50 BRM1614-55	CCGT0401..L	SB-2040TR-M2		0.003
50061723	MR17	17-23	9	BRM1616-65 BRM1620-80 BRM1625-100	CCGT0602..L	TS25-M2.5		0.005
50062026	MR20	20-26		0.006				
50062329	MR23	23-29		0.008				
50062632	MR26	26-32	11	BM5-100L			T8	0.009
50252938CC	SRCC2938	29-38						0.010
50323652CC	SRCC3652	36-52	13					0.020
50404468CC	SRCC4468	44-68	13					0.030
50505790CC	SRCC5790	57-90	20	BM8	CCGT09T3..L	TS4-M4	T15	0.100

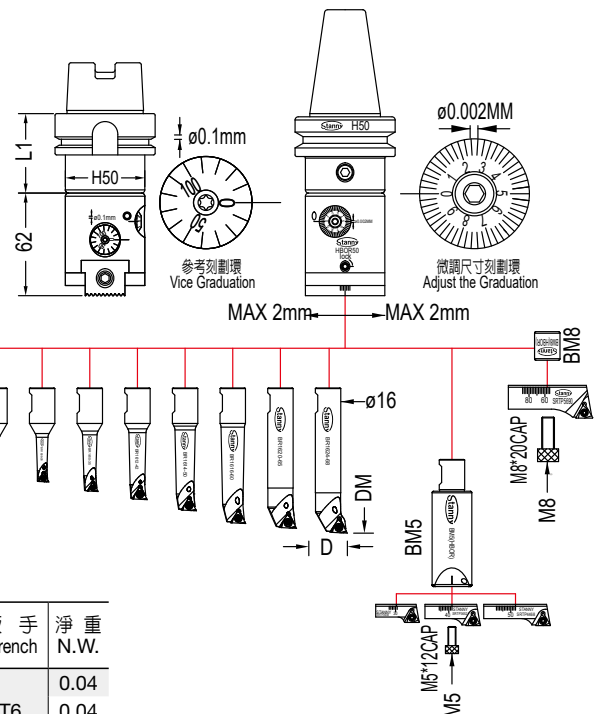


HBOR50

極細微調精搪孔系統

Micro-Finishing Cutter Fine Boring System

整組SET $\phi 6 \sim \phi 90$



訂貨編號 Order No.	規格 Model	範圍 D Boring Range $\phi D_{Min} - \phi D_{Max}$	組合系統-主軸柄規格 Taper Shank	L1	淨重 N.W.
55901309	BT30-HBOR50	6-90	MAS403 BT30-H50-45	45	6.7
55901410	BT40-HBOR50	6-90	MAS403 BT40-H50-50	50	7.3
55901510	BT50-HBOR50	6-90	MAS403 BT50-H50-65	65	9.9
55902309	SK30-HBOR50	6-90	DIN69871A ISO30-H50-55	55	6.8
55902410	SK40-HBOR50	6-90	DIN69871A ISO40-H50-50	50	7.3
55902510	SK50-HBOR50	6-90	DIN69871A ISO50-H50-50	50	9.5
55904610	HSK63-HBOR50	6-90	DIN69893A HSK63-H50-57	57	7.0

訂貨編號 Order No.	規格 Model	範圍 D Boring Range $\phi D_{Min} - \phi D_{Max}$	深度 DM	刀片 Insert	螺絲 Bolt	板手 Wrench	淨重 N.W.
50160621	BR1606-21	6-9	21	WBGTO601..L	SB-1STR-M2	T6	0.04
50160828	BR1608-28	8-11	28	TBGT0601..L	SB-2TR-M2.5	T8	0.04
50161035	BR1610-35	10-13	35	TPGH0902..L			0.05
50161242	BR1612-42	12-15	42				0.06
50161450	BR1614-50	14-17	50	0.07			
50161660	BR1616-60	16-20	60	TPGH1103..L	SB-3TR-M3	T8	0.09
50162065	BR1620-65	20-24	65				0.11
50162468	BR1624-68	24-28	68				0.12
50162505	BM5		60 + SRTP2938 or SRTP3652 or SRTP4468	M5x12	4		0.25
50252938	SRTP2938	29-38	10	TPGH0902..L	SB-2TR-M2.5	T8	0.01
50323652	SRTP3652	36-52	12				0.02
50404468	SRTP4468	44-68	12				0.03
50501608	BM8			+SRTP5790	M8x20	6	0.03
50505790	SRTP5790	57-90	20	TPGH1103..L	SB-3TR-M3	T8	0.10

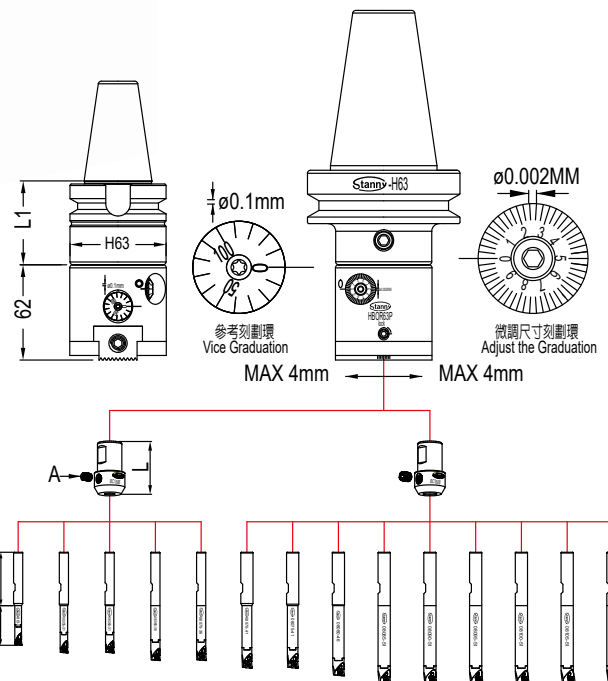


HBOR63P

極細微調精搪孔系統

Micro-Finishing Cutter Fine Boring System

整組SET G2.5 12000rpm $\phi 5 \sim \phi 11$



訂貨編號 Order No.	規格 Model	範圍 D Boring Range $\phi D_{Min} - \phi D_{Max}$	組合系統-主軸柄規格 Taper Shank	L1	淨重 N.W.
56801405CR	BT40-HBOR63P	5-11	MAS403 BT40-H63-55	55	7.2
56801506CR	BT50-HBOR63P	5-11	MAS403 BT50-H63-65	65	9.8
56801508CR	BT50-HBOR63P	5-11	MAS403 BT50-H63-85	85	10.3
56802406CR	SK40-HBOR63P	5-11	DIN69871A ISO40-H63-60	60	7.2
56802506CR	SK50-HBOR63P	5-11	DIN69871A ISO50-H63-65	65	9.0
56804606CR	HSK63-HBOR63P	5-11	DIN69893A HSK63-H63-67	67	7.0

套筒 Sleeve

訂貨編號 Order No.	規格 Model	內徑 Inner	L	A螺絲 A-Bolt	鎢鋼刀桿 Carbide Cutting Bar	淨重 N.W.
50081606	BC1606	$\phi 6$	34	M5	CR06...	0.0542
50081608	BC1608	$\phi 8$		M6	CR08...	0.0484

鎢鋼刀桿 Carbide Cutting Bar

訂貨編號 Order No.	規格 Model	範圍 D Boring Range $\phi D_{Min} - \phi D_{Max}$	深度 DM	套筒 Sleeve	刀片 Insert	螺絲 Bolt	扳手 Wrench	淨重 N.W.
5007605026	CR06050-26	5-6	26	BC1606	CCGT0301..L	SB-1630TR-M1.6	T6	0.0192
5007605531	CR06055-31	5.5-6.5	31					0.0216
5007606031	CR06060-31	6-7	36					0.0228
5007606536	CR06065-36	6.5-7.5	36					0.0268
5007607036	CR06070-36	7-8	36		CCGT0401..L	SB-2040TR-M2		0.0268
5009807041	CR08070-41	7-8	41	BC1608	CCGT0401..L	SB-2040TR-M2	T6	0.0424
5009807541	CR08075-41	7.5-8.5	46					0.0448
5009808046	CR08080-46	8-9	51					0.0512
5009808551	CR08085-51	8.5-9.5	51					0.0586
5009809051	CR08090-51	9-10	51					0.0586
5009809551	CR08095-51	9.5-10.5	51					0.0590
5009810051	CR08100-51	10-11	51					0.0590
5009810551	CR08105-51	10.5-11.5	51					0.0592
5009811051	CR08110-51	11-12	51					0.0592

HBOR63P

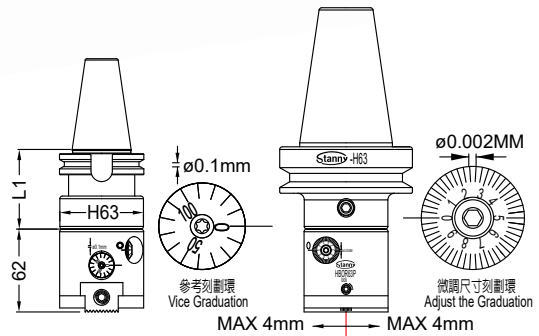
極細微調精搪孔系統

Micro-Finishing Cutter Fine Boring System

整組SET G2.5 12000rpm $\phi 11 \sim \phi 32$



訂貨編號 Order No.	規格 Model	範圍D Boring Range $\phi D_{Min} - \phi D_{Max}$	組合系統-主軸柄規格 Taper Shank	L1	淨重 N.W.
56801405	BT40-HBOR63P	11-32	MAS403 BT40-H63-55	55	7.5
56801506	BT50-HBOR63P	11-32	MAS403 BT50-H63-65	65	10.06
56801508	BT50-HBOR63P	11-32	MAS403 BT50-H63-85	85	10.56
56802406	SK40-HBOR63P	11-32	DIN69871A ISO40-H63-60	60	7.54
56802506	SK50-HBOR63P	11-32	DIN69871A ISO50-H63-65	65	9.26
56804606	HSK63-HBOR63P	11-32	DIN69893A HSK63-H63-67	67	7.39

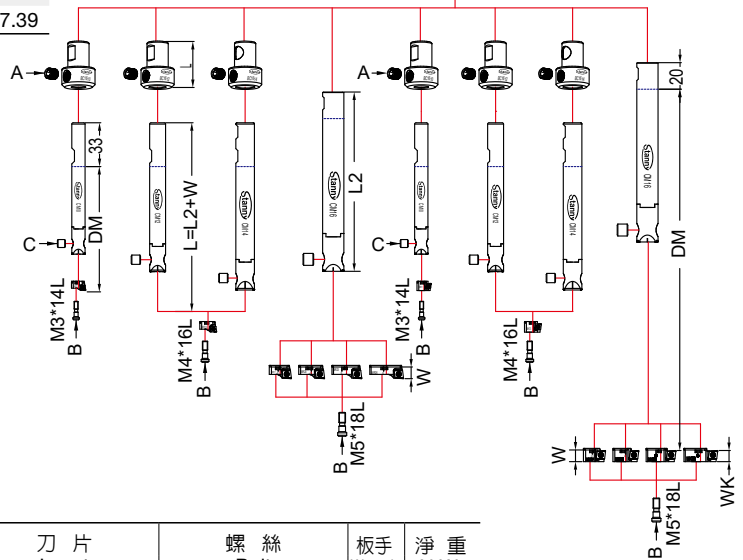


套筒 Sleeve

訂貨編號 Order No.	規格 Model	內徑 Inner	L	A螺絲 A-Bolt	鎢鋼柄 Carbide Shank	淨重 N.W.
50081610	BC1610	$\phi 10$			CM10	0.06
50081612	BC1612	$\phi 12$	34	M8	CM12	0.05
50081614	BC1614	$\phi 14$			CM14	0.04

鎢鋼柄 Carbide Shank

訂貨編號 Order No.	規格 Model	外徑 Outer	L2	C導程螺帽 C-NUT	B螺絲 B-Bolt	淨重 N.W.
50071009	CM10	$\phi 10$	99	NUT6	SLCS-M3	0.10
50071211	CM12	$\phi 12$	112	NUT7	SLCS-M4	0.16
50071411	CM14	$\phi 14$	133	NUT7	SLCS-M4	0.21
50071613	CM16	$\phi 16$	135	NUT9	SLCS-M5	0.35



MR (正搪) 和MK (反搪) 搪孔刀座

MR and MK (Reverse) Cutting Insert Holder

訂貨編號 Order No.	規格 Model	範圍 D Boring Range $\phi D_{Min} - \phi D_{Max}$	刀座高度		深度 DM	L	鎢鋼柄 Carbide Shank	套筒 Sleeve	刀片 Insert	螺絲 Bolt	扳手 Wrench	淨重 N.W.
			W	WK								
50061114	MR11	11-14	6		72	105	CM10	BC1610	CCGT0301..L	SB-1630TR-M1.6		0.002
50061317	MR13	13-17	7		86 105	119 122	CM12 CM14	BC1612 BC1614	CCGT0401..L	SB-2040TR-M2	T6	0.003
50061723	MR17	17-23										0.005
50062026	MR20	20-26										0.006
50062329	MR23	23-29	9		124	144	CM16		CCGT0602..L	TS25-M2.5	T8	0.008
50062632	MR26	26-32										0.009
50051114	MK11	11-14	7	6	59	106	CM10	BC1610	CCGT0301..R	SB-1630TR-M1.6		0.002
50051317	MK13	13-17	8	7	72	120	CM12 CM14	BC1612 BC1614	CCGT0401..R	SB-2040TR-M2	T6	0.003
50051723	MK17	17-23										0.005
50052026	MK20	20-26										0.007
50052329	MK23	23-29	10	9	115	145	CM16		CCGT0602..R	TS25-M2.5	T8	0.009
50052632	MK26	26-32										0.011

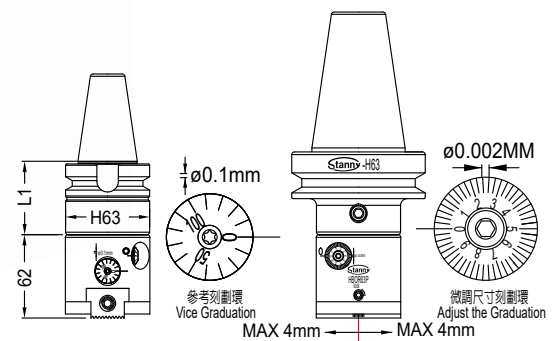


HBOR63P

極細微調精搪孔系統－菱形

Micro-Finishing Cutter for Rhombus Fine Boring System

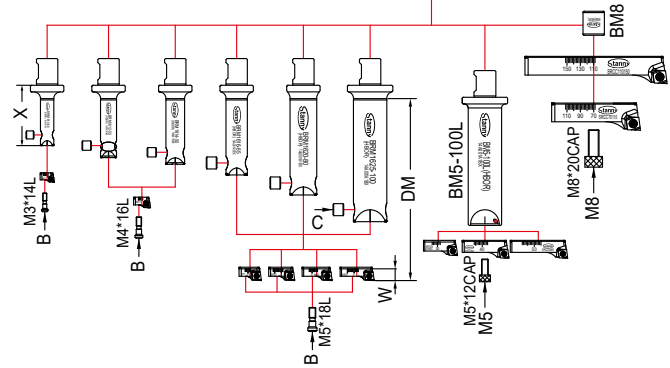
整組SET G2.5 12000rpm $\phi 11\sim\phi 150$



訂貨編號 Order No.	規格 Model	範圍 D Boring Range $\phi D_{Min}\sim\phi D_{Max}$	組合系統-主軸柄規格 Taper Shank	L1	淨重 N.W.
56801405RM	BT40-HBOR63P	11-150	MAS403 BT40-H63-55	55	8.4
56801506RM	BT50-HBOR63P	11-150	MAS403 BT50-H63-65	65	10.9
56801508RM	BT50-HBOR63P	11-150	MAS403 BT50-H63-85	85	11.4
56802406RM	SK40-HBOR63P	11-150	DIN69871A ISO40-H63-60	60	8.4
56802506RM	SK50-HBOR63P	11-150	DIN69871A ISO50-H63-65	65	10.0
56804606RM	HSK63-HBOR63P	11-150	DIN69893A HSK63-H63-67	67	8.3

接桿 Shank

訂貨編號 Order No.	規格 Model	X	深度 DM	C導程螺帽 C-NUT	螺絲 B-Bolt	板手 Wrench	淨重 N.W
50171004	BRM1610-40	45	41	NUT6	SLCS-M3	T8	0.07
50171205	BRM1612-50	54	51	NUT7	SLCS-M4	T15	0.09
50171405	BRM1614-55	59	56	NUT7	SLCS-M4	T15	0.11
50171606	BRM1616-65	67	66	NUT7	SLCS-M4	T15	0.14
50172008	BRM1620-80	82	81	NUT9	SLCS-M5	T25	0.22
50172510	BRM1625-100	102	101	NUT9	SLCS-M5	T25	0.41
50162510	BM5-100L	96	88+		M5×12	◇4	0.40
50501608	BM8				M8×20	◇6	0.03



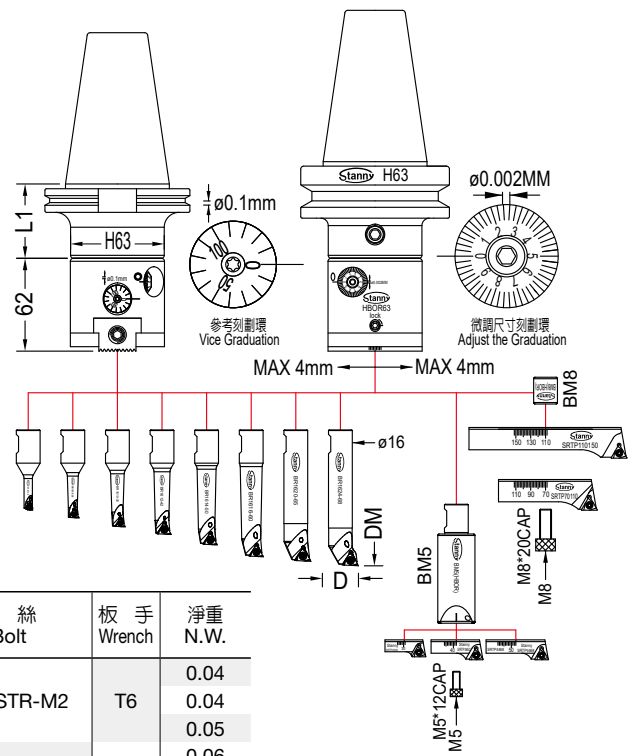
搪孔刀座 Cutting Insert Holder

訂貨編號 Order No.	規格 Model	範圍 D Boring Range $\phi D_{Min}\sim\phi D_{Max}$	刀座高度 W	接桿 Shank	刀片 Insert	螺絲 Bolt	板手 Wrench	淨重 N.W
50061114	MR11	11-14	6	BRM1610-40	CCGT0301..L	SB-1630TR-M1.6		0.002
50061317	MR13	13-17	7	BRM1612-50 BRM1614-55	CCGT0401..L	SB-2040TR-M2	T6	0.003
50061723	MR17	17-23						0.005
50062026	MR20	20-26						0.006
50062329	MR23	23-29	9	BRM1616-65 BRM1620-80 BRM1625-100				0.008
50062632	MR26	26-32			CCGT0602..L	TS25-M2.5	T8	0.009
50252938CC	SRCC2938	29-38	11					0.010
50323652CC	SRCC3652	36-52	13	BM5-100L				0.020
50404468CC	SRCC4468	44-68	13					0.030
50637011CC	SRCC70110	70-110	20					0.100
50637115CC	SRCC110150	110-150	20	BM8	CCGT09T3..L	TS4-M4	T15	0.210

HBOR63

極細微調精搪孔系統 Micro-Finishing Cutter Fine Boring System

整組SET $\varnothing 6 \sim \varnothing 150$



訂貨編號 Order No.	規格 Model	範圍D Boring Range $\varnothing D_{Min} - \varnothing D_{Max}$	組合系統-主軸柄規格 Taper Shank	L1	淨重 N.W.
56900410	NT40-HBOR63	6-150	DIN2080 ISO40-H63-55	55	8.4
56900510	NT50-HBOR63	6-150	DIN2080 ISO50-H63-65	65	10.4
56901410	BT40-HBOR63	6-150	MAS403 BT40-H63-55	55	8.2
56901510	BT50-HBOR63	6-150	MAS403 BT50-H63-65	65	10.8
56901512	BT50-HBOR63	6-150	MAS403 BT50-H63-85	85	11.3
56902410	SK40-HBOR63	6-150	DIN69871A ISO40-H63-60	60	8.3
56902510	SK50-HBOR63	6-150	DIN69871A ISO50-H63-65	65	10.0
56904610	HSK63-HBOR63	6-150	DIN69893A HSK63-H63-67	67	8.2

訂貨編號 Order No.	規格 Model	範圍D Boring Range $\varnothing D_{Min} - \varnothing D_{Max}$	深度 DM	刀片 Insert	螺絲 Bolt	板手 Wrench	淨重 N.W.	
50160621	BR1606-21	6-9	21	WBGTO601..L			0.04	
50160828	BR1608-28	8-11	28	TBGTO601..L	SB-1STR-M2	T6	0.04	
50161035	BR1610-35	10-13	35				0.05	
50161242	BR1612-42	12-15	42	TPGH0902..L	SB-2TR-M2.5	T8	0.06	
50161450	BR1614-50	14-17	50				0.07	
50161660	BR1616-60	16-20	60	TPGH1103..L	SB-3TR-M3	T8	0.09	
50162065	BR1620-65	20-24	65				0.11	
50162468	BR1624-68	24-28	68				0.12	
50162505	BM5		60 + SRTP2938 or SRTP3652 or SRTP4468		M5x12	4	0.25	
50252938	SRTP2938	29-38	+10	TPGH0902..L	SB-2TR-M2.5	T8	0.01	
50323652	SRTP3652	36-52	+12					0.02
50404468	SRTP4468	44-68	+12					0.03
50501608	BM8		+SRTP70110 or SRTP110150		M8x20	6	0.03	
50637011	SRTP70110	70-110	+20	TPGH1103..L	SB-3TR-M3	T8	0.10	
50637115	SRTP110150	110-150	+20					0.21

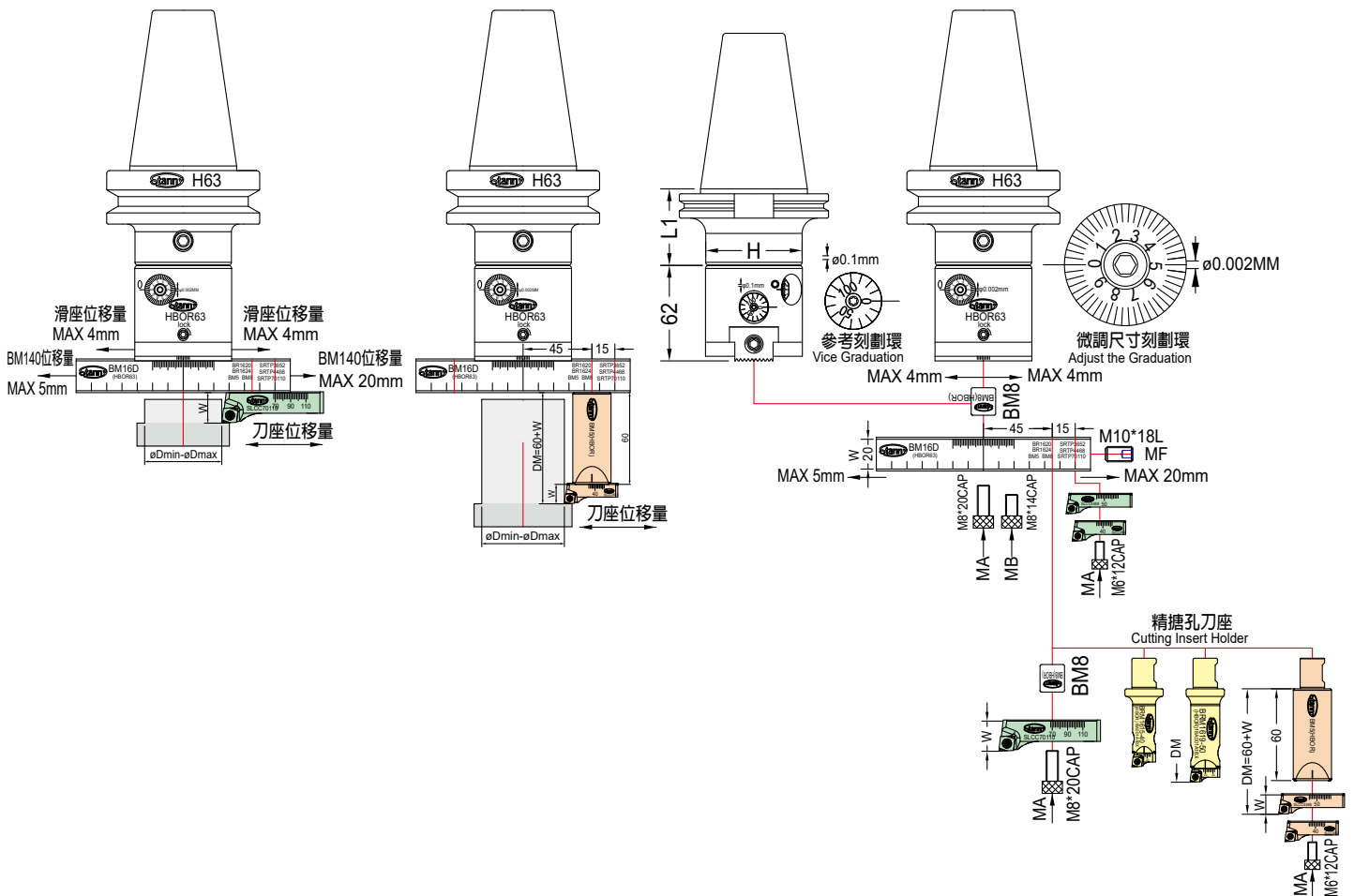


HBOR63 +BM16D

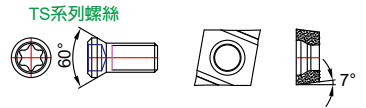
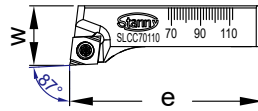
極細微調精搪孔系統—搪外徑

Micro-Finishing Cutter Fine Boring System - Cutting Outer Diameter

0~ $\phi 100$



BM16D+BM8

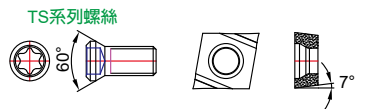
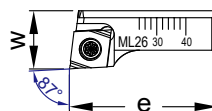


搪外徑
Outer Diameter Boring

訂貨編號 Order No.	規格 Model	範圍 D Boring Range øDMin-øDMax	深度 DM	MA Bolt	刀片 Insert	螺絲 Bolt	板手 Wrench	淨重 N.W
50630160	BM16D			BM8				0.460
50630336	SLCC3652	60-120	10	M6×12				0.020
50630444	SLCC4468	45-120	10	M6×12	CCGT0602..R	TS25-M2.5	T8	0.025
50630557	SLCC5790	0-50-90	17	M8×20				0.089
50630770	SLCC70110	0-60-100	17	M8×20	CCGT09T3..R	TS4-M4	T15	0.098
50630771	SLCC110150	0-20-60	17	M8×20				0.200
50501606	BM6	+SLCC3652 or +SLCC4468		M6×20				0.030
50630336	+SLCC3652	15-85	10	BM6				0.020
50630444	+SLCC4468	30-95	10	BM6	CCGT0602..R	TS25-M2.5	T8	0.025
50501608	BM8	+SLCC5790 or +SLCC70110 or SLCC110150		M8×20				0.030
50630557	+SLCC5790	0-40-80	17	BM8				0.089
50630770	+SLCC70110	0-50-90	17	BM8	CCGT09T3..R	TS4-M4	T15	0.098
50630771	+SLCC110150	0-10-50	17	BM8				0.200



訂貨編號 Order No.	規格 Model	範圍 D Boring Range øDMin-øDMax	深度 DM	MA Bolt	刀片 Insert	螺絲 Bolt	板手 Wrench	淨重 N.W
50630160	BM16D			BM8				0.460
50162505	BM5		60	M5×12				0.250
50630229	+SLCC2938	45-100	70					0.008
50630336	+SLCC3652	30-95	70		CCGT0602..R	TS25-M2.5	T8	0.020
50630444	+SLCC4468	10-90	70					0.025



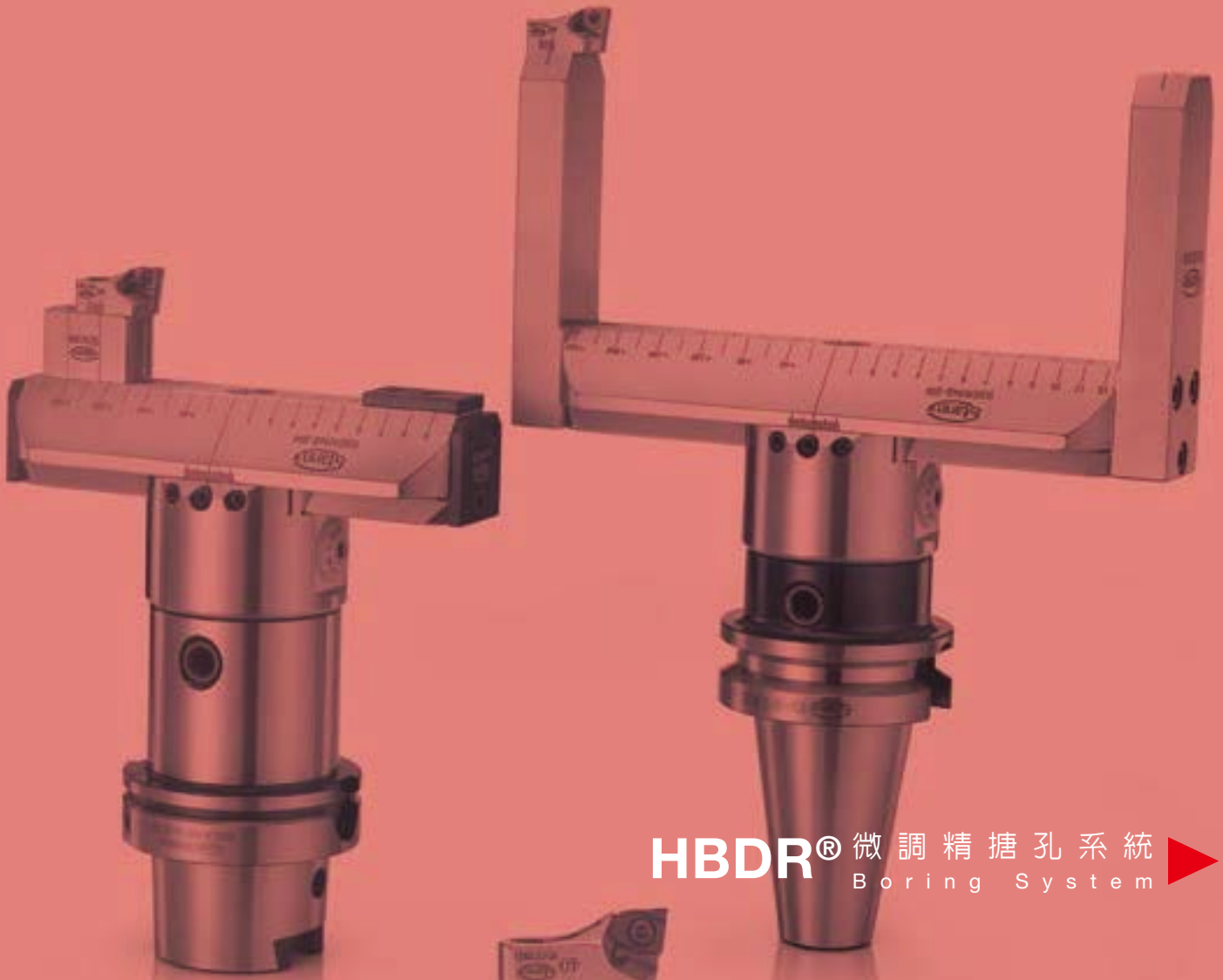
訂貨編號 Order No.	規格 Model	範圍 D Boring Range øDMin-øDMax	深度 DM	MA Bolt	刀片 Insert	螺絲 Bolt	板手 Wrench	淨重 N.W
50630160	BM16D			BM8				0.460
50171504	BRM1615-40		41					0.100
50171506	BRM1615-65		66					0.130
50171606	BRM1616-65		66			SLCS-M4	T15	0.140
50171905	BRM1619-50		51					0.140
50171908	BRM1619-80		81					0.200
50172008	BRM1620-80		81			SLCS-M5	T25	0.220
50172406	BRM1624-63		64					0.260
50172410	BRM1624-100		101					0.380
50172510	BRM1625-100		101					0.410
50630716	ML16	58-74-114		BRM1615				0.006
50630717	ML17	57-73-113		BRM1616				0.006
50630720	ML20	50-70-110		BRM1619				0.007
50630723	ML23	47-67-107		BRM1620	CCGT0602..R	TS25-M2.5	T8	0.009
50630726	ML26	40-64-104		BRM1624				0.010
50630729	ML29	37-61-101		BRM1625				0.012





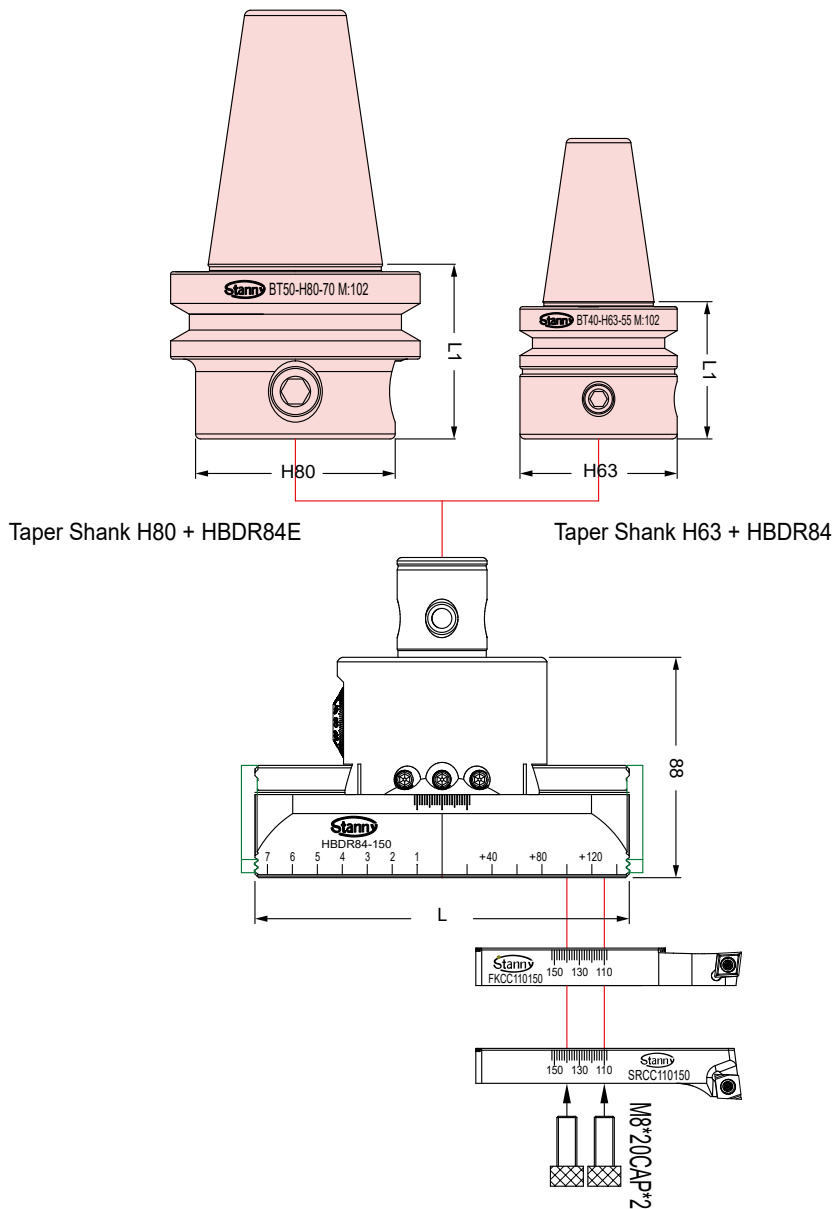
外徑搪孔刀
Outer Diameter Boring Head





HBDR® 微調精搪孔系統 
Boring System





MAS403 BT
BT40-H63-55

規格：請參閱P.18, P.20
Specification please refer to P.18, P.20



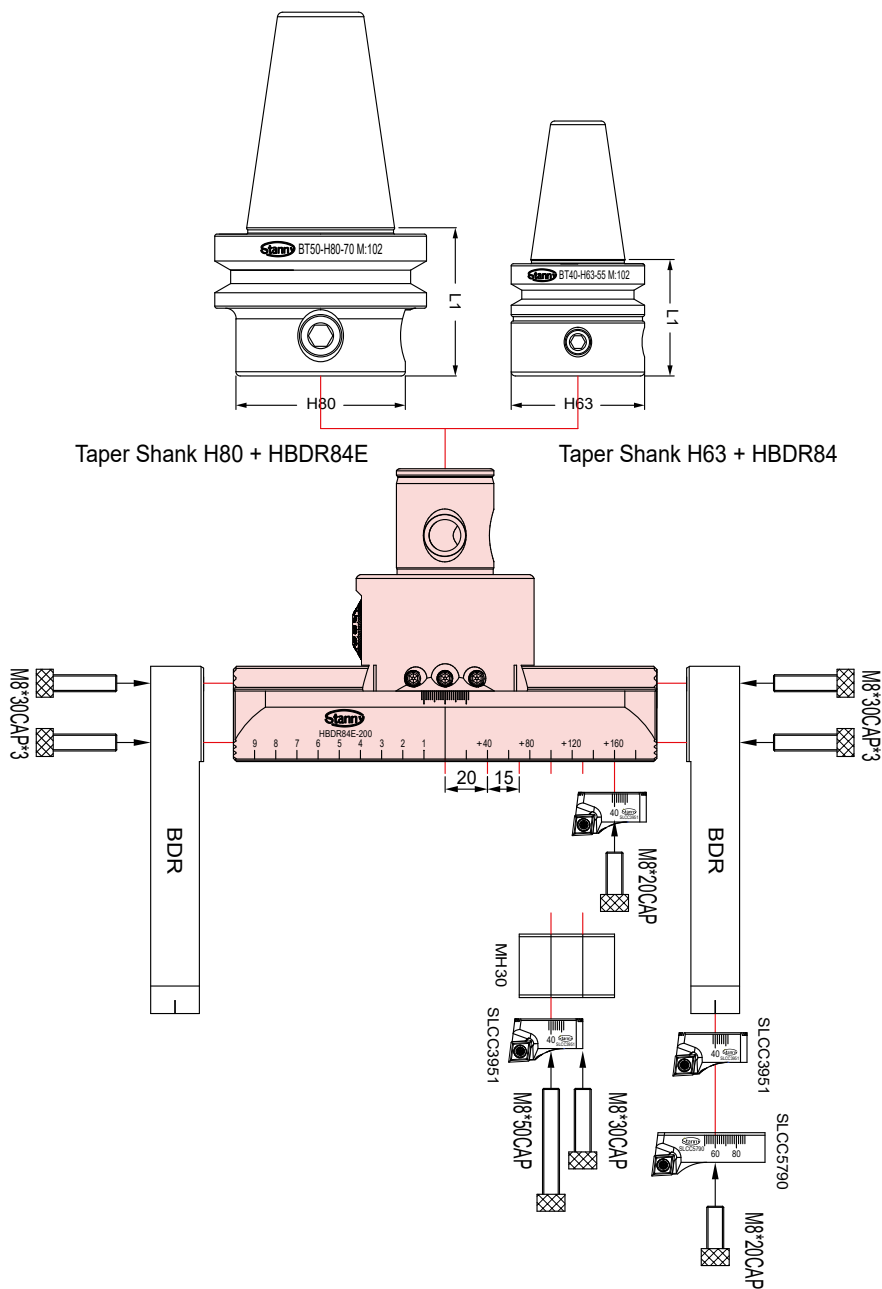
MAS403 BT
BT50-H80-165

規格：請參閱P.19, P.21
Specification please refer to P.19, P.21



DIN69893A
HSK100-H80-100

規格：請參閱P.25
Specification please refer to P.25



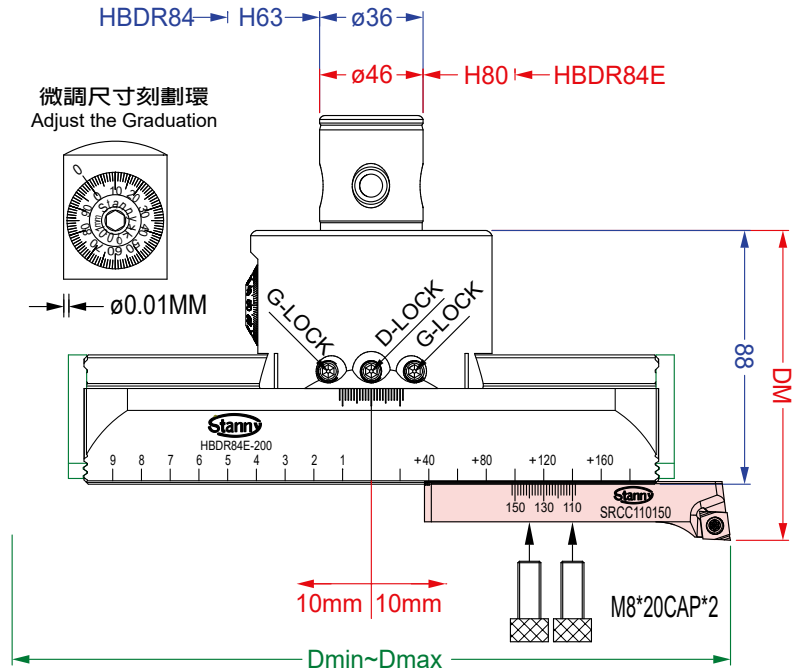
HBDR微調精搪孔刀本體 Body for HBDR Boring System

訂貨編號 Order No.	規格 Model	L	H	d	淨重 N.W.
61684100	HBDR84-100	100	63	36	3.57
61684150	HBDR84-150	150			4.26
61684200	HBDR84-200	200			5.01
61684250	HBDR84-250	250			5.70
61684300	HBDR84-300	300			6.39

HBDR微調精搪孔刀本體 Body for HBDR Boring System

訂貨編號 Order No.	規格 Model	L	H	d	淨重 N.W.
61884100	HBDR84E-100	100	80	46	3.81
61884150	HBDR84E-150	150			4.50
61884200	HBDR84E-200	200			5.25
61884250	HBDR84E-250	250			5.94
61884300	HBDR84E-300	300			6.63





精搪孔刀本體 Body	精搪孔刀座 Cutting Insert Holder	範圍 D Boring Range øDMin-øDMax	DM	淨重 N.W.
HBDR84-100	SRTP/SRCC 70110	120-150	107	3.67
	SRTP/SRCC 110150	150-190	107	3.78
HBDR84E-100	SRTP/SRCC 150190	190-230	109	4.17
	SRTP/SRCC 190230	230-270	109	4.29
	SRTP/SRCC 70110	170-210	107	4.36
HBDR84-150	SRTP/SRCC 110150	170-250	107	4.47
	SRTP/SRCC 150190	190-290	109	4.86
	SRTP/SRCC 190230	230-330	109	4.98
HBDR84E-150	SRTP/SRCC 70110	220-240	107	5.11
	SRTP/SRCC 110150	220-280	107	5.22
	SRTP/SRCC 150190	220-320	109	5.61
	SRTP/SRCC 190230	230-360	109	5.73
HBDR84-200	SRTP/SRCC 70110	270-300	107	5.80
	SRTP/SRCC 110150	270-340	107	5.91
	SRTP/SRCC 150190	270-380	109	6.30
	SRTP/SRCC 190230	270-420	109	6.42
HBDR84E-200	SRTP/SRCC 70110	320-360	107	6.49
	SRTP/SRCC 110150	320-400	107	6.60
	SRTP/SRCC 150190	320-440	109	6.99
HBDR84-250	SRTP/SRCC 110150	320-400	107	6.60
	SRTP/SRCC 150190	320-440	109	6.99
HBDR84E-250	SRTP/SRCC 150190	320-440	109	6.99
	SRTP/SRCC 190230	320-480	109	7.11
	SRTP/SRCC 70110	270-300	107	5.80



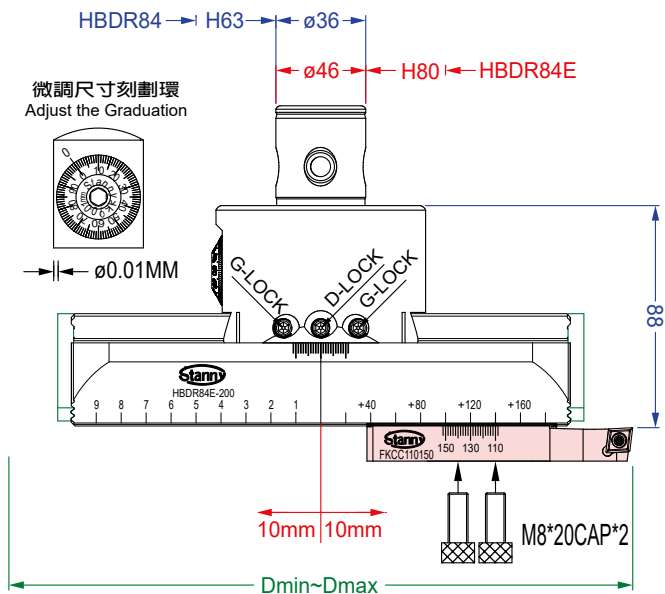
HBDR微調精搪孔系統-精搪孔刀座
Cutting Insert Holder for HBDR Boring System

訂貨編號 Order No.	規格 Model	刀片 Insert	螺絲 Bolt	板手 Wrench	淨重 N.W.
50637011	SRTP70110				0.10
50637115	SRTP110150	TPGH1103..L	SB-3TR-M3 (CS300T)	T8	0.21
50637159	SRTP150190	(TPGX1103..L)			0.36
50637193	SRTP190230				0.48

PS.(CS系列螺絲，請訂貨時另外告知)
PS.Order bolt CS series, please advise in advance.

HBDR微調精搪孔系統-菱形精搪孔刀座
Rhombus Cutting Insert Holder for HBDR Boring System

訂貨編號 Order No.	規格 Model	刀片 Insert	螺絲 Bolt	板手 Wrench	淨重 N.W.
50637011CC	SRCC70110				0.10
50637115CC	SRCC110150				0.20
50637159CC	SRCC150190	CCGT09T3..L	TS4-M4	T15	0.36
50637193CC	SRCC190230				0.48



精搪孔刀本體 Body	精搪孔反搪刀座 Reverse Cutting Insert Holder	範圍 D Boring Range øDMin-øDMax	淨重 N.W.
HBDR84-100 HBDR84E-100	FKTP/FKCC/FK9C 70110	120-150	3.67
	FKTP/FKCC/FK9C 110150	150-190	3.77
HBDR84-150 HBDR84E-150	FKTP/FKCC 150190	190-230	4.05
	FKTP/FKCC 190230	230-270	4.12
	FKTP/FKCC/FK9C 70110	170-210	4.36
HBDR84-200 HBDR84E-200	FKTP/FKCC/FK9C 110150	170-250	4.46
	FKTP/FKCC 150190	190-290	4.74
	FKTP/FKCC 190230	230-330	4.81
	FKTP/FKCC/FK9C 70110	220-240	5.11
HBDR84-250 HBDR84E-250	FKTP/FKCC/FK9C 110150	220-280	5.21
	FKTP/FKCC 150190	220-320	5.49
	FKTP/FKCC 190230	230-360	5.56
	FKTP/FKCC/FK9C 70110	270-300	5.80
HBDR84-300 HBDR84E-300	FKTP/FKCC/FK9C 110150	270-340	5.90
	FKTP/FKCC 150190	270-380	6.18
	FKTP/FKCC 190230	270-420	6.25
	FKTP/FKCC/FK9C 70110	320-360	6.49
HBDR84-300 HBDR84E-300	FKTP/FKCC/FK9C 110150	320-400	6.59
	FKTP/FKCC 150190	320-440	6.87
	FKTP/FKCC 190230	320-480	6.94

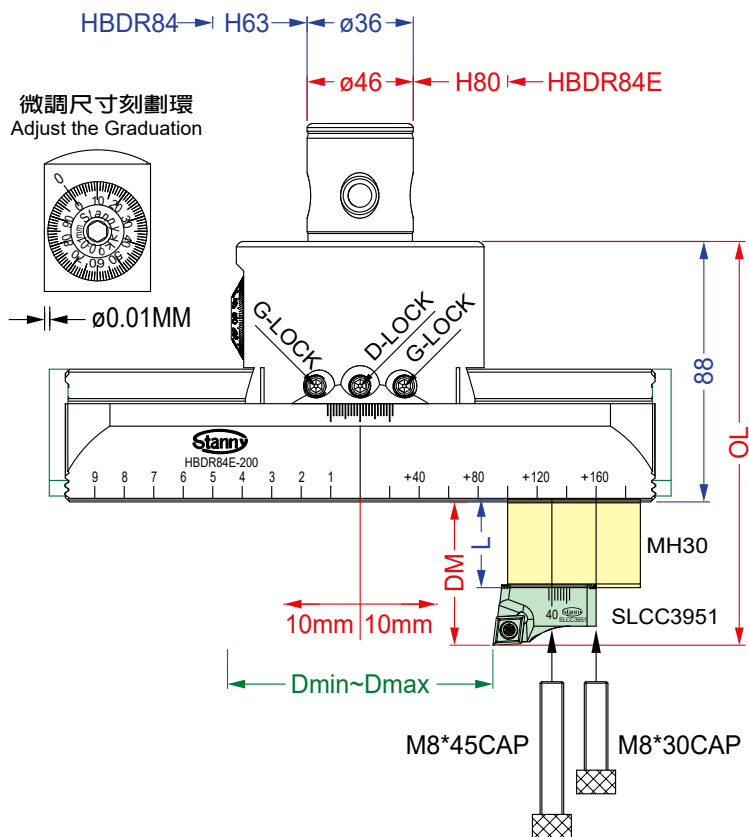
HBDR微調精搪孔系統-精搪孔反搪刀座 Reverse Cutting Insert Holder for HBDR Boring System

訂貨編號 Order No.	規格 Model	刀片 Insert	螺絲 Bolt	板手 Wrench	淨重 N.W.
50637011K	FKTP70110				0.10
50637115K	FKTP110150	TPGH1103..R	SB-3TR-M3 (CS300T)	T8	0.21
50637159K	FKTP150190	(TPGX1103..R)			0.24
50637193K	FKTP190230				0.31

PS.(CS系列螺絲，請訂貨時另外告知)
PS.Order bolt CS series, please advise in advance.

HBDR微調精搪孔系統-菱形精搪孔反搪刀座 (90°菱形精搪孔反搪刀座) Rhombus Reverse Cutting Insert Holder and 90° Rhombus Reverse Cutting Insert Holder for HBDR Boring System

訂貨編號 Order No.	規格 Model	刀片 Insert	螺絲 Bolt	板手 Wrench	淨重 N.W.
50637011KC	FKCC70110				0.10
50637115KC	FKCC110150	CCGT09T3..R	TS4-M4	T15	0.20
50637159KC	FKCC150190				0.24
50637193KC	FKCC190230				0.31
50637011K9	FK9C70110	CCGT09T3..R	TS4-M4		T15
50637115K9	FK9C110150				0.20



**HBDR微調精搪孔系統-墊高塊
Plate for HBDR Boring System**

訂貨編號 Order No.	規格 Model	L	淨重 N.W.
60308430	MH30	30	0.20

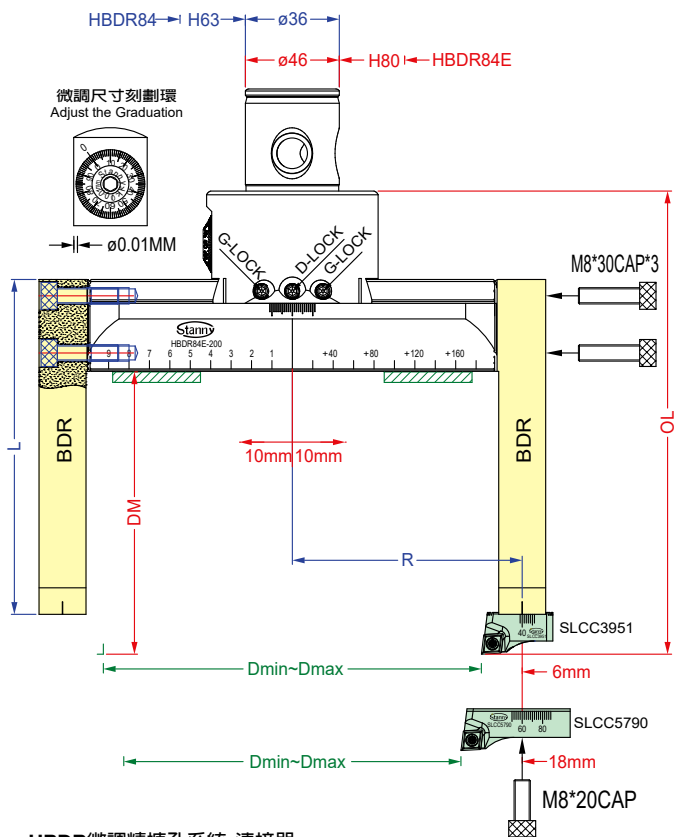


**HBDR微調精搪孔系統-精搪孔刀座
Cutting Insert Holder for HBDR Boring System**

訂貨編號 Order No.	規格 Model	刀片 Insert	螺絲 Bolt	板手 Wrench	淨重 N.W.
50630539	SLCC3951	CCGT09T3..R	TS4-M4	T15	0.06



精搪孔刀本體 Body	精搪孔刀座 Cutting Insert Holder	墊高塊 Plate	範圍 D Boring Range øDMin-øDMax	DM	OL	淨重 N.W.
HBDR84-100	SLCC3951		0-31	18	107	3.63
HBDR84E-100			0-91	18	107	3.87
HBDR84-150			0-61	47	136	4.32
HBDR84E-150		MH30	0-121	18	107	4.76
HBDR84-200		MH30	0-91	47	136	5.07
HBDR84E-200		MH30	0-181	18	107	5.51
HBDR84-250		MH30	0-151	47	136	5.76
HBDR84E-250		MH30	0-241	18	107	6.20
HBDR84-300		MH30	0-211	47	136	6.45
HBDR84E-300		MH30				6.89



HBDR微調精搪孔系統-連接器
Connector for HBDR Boring System

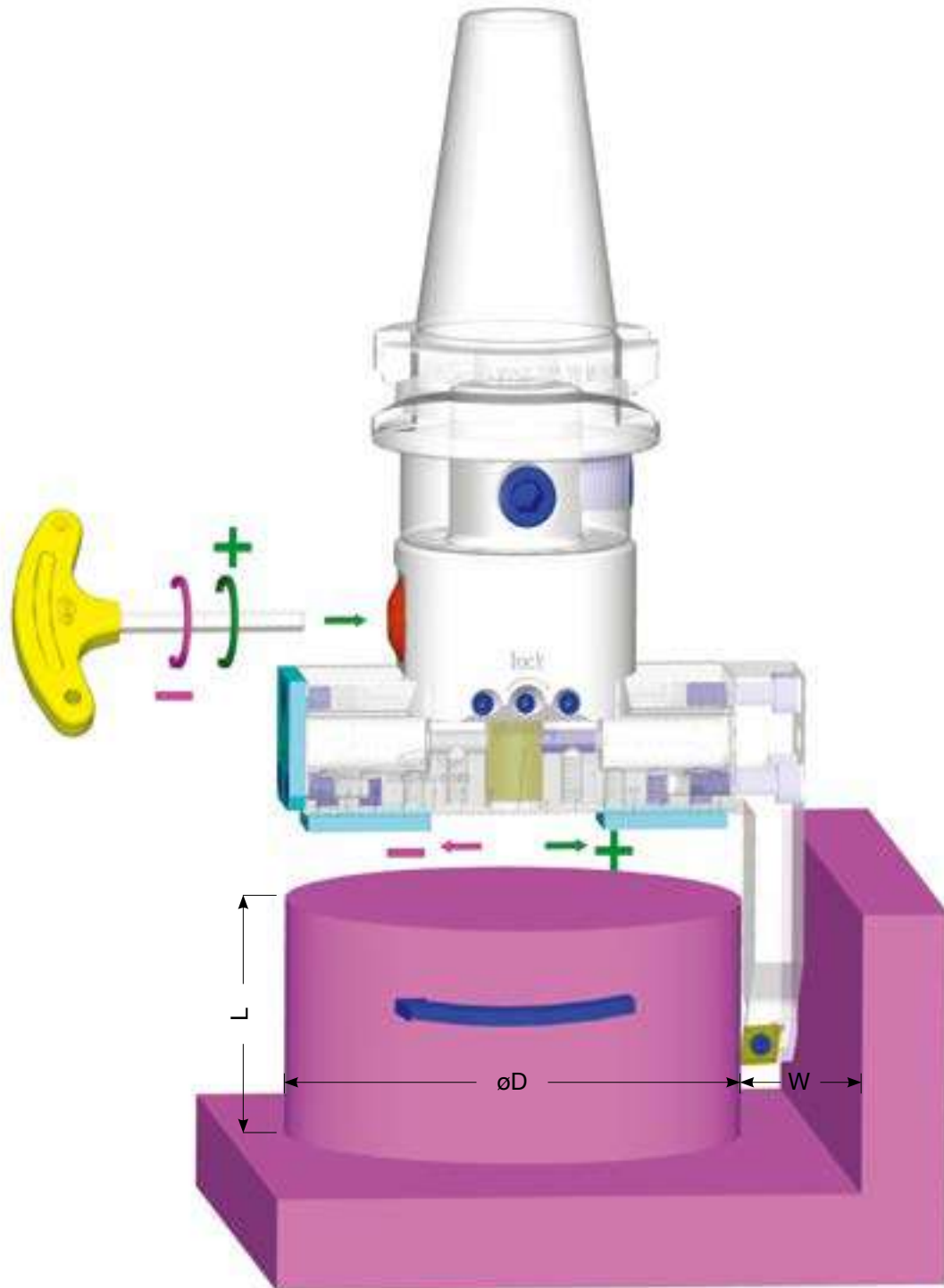
訂貨編號 Order No.	規格 Model	L	淨重 N.W.
60308410	BDR104	104	0.74
60308416	BDR164	164	1.17

HBDR微調精搪孔系統-精搪孔刀座
Cutting Insert Holder for HBDR Boring System

訂貨編號 Order No.	規格 Model	刀片 Insert	螺絲 Bolt	板手 Wrench	淨重 N.W.
50630539	SLCC3951	CCGT09T3..R	TS4-M4	T15	0.06
50630557	SLCC5790				0.08

精搪孔刀本體 Body	連接器 Connector	精搪孔刀座 Cutting Insert Holder	範圍D Boring Range øDMin-øDMax	R	DM	OL	淨重 N.W.
HBDR84-100 HBRD84E-100	BDR104	SLCC3951	74-86	62.5	75	165	4.37
		SLCC5790	38-74				4.39
	BDR164	SLCC3951	74-86		135	225	5.04
		SLCC5790	38-74				5.06
HBDR84-150 HBRD84E-150	BDR104	SLCC3951	124-136	87.5	75	165	5.06
		SLCC5790	88-124				5.08
		SLCC3951	124-136				5.73
	BDR164	SLCC3951	88-124		135	225	5.75
		SLCC5790	88-124				5.81
		SLCC3951	174-186				5.83
HBDR84-200 HBRD84E-200	BDR104	SLCC3951	138-174	112.5	75	165	6.48
		SLCC5790	174-186				6.50
		SLCC3951	138-174				6.50
	BDR164	SLCC3951	224-236		75	165	6.50
		SLCC5790	188-224				6.52
		SLCC3951	224-236				7.17
HBDR84-250 HBRD84E-250	BDR104	SLCC3951	188-224	137.5	135	225	7.19
		SLCC5790	188-224				7.19
		SLCC3951	274-286				7.21
	BDR164	SLCC3951	238-274		75	165	7.21
		SLCC5790	274-286				7.86
		SLCC3951	238-274				7.88





訂製資料
Customized $\varnothing D$: _____ L : _____ W : _____



h100-B72 大孔徑搪孔刀組合系統 
Large Diameter Boring System

h100-B72

大孔徑搪孔刀組合系統 Large Diameter Boring System

搪孔刀柄 Taper Shank

延長接桿 Extension Spacer

■ 接盤 Adapter

■ 變徑滑座 Plate

大孔徑粗搪孔刀本體 Large Diameter Body

粗搪孔刀座 Cutting Insert Holder

80°粗搪孔刀座 80° Cutting Insert Holder

45°正反倒角粗搪孔刀座 45° Chamfer Cutting Insert Holder

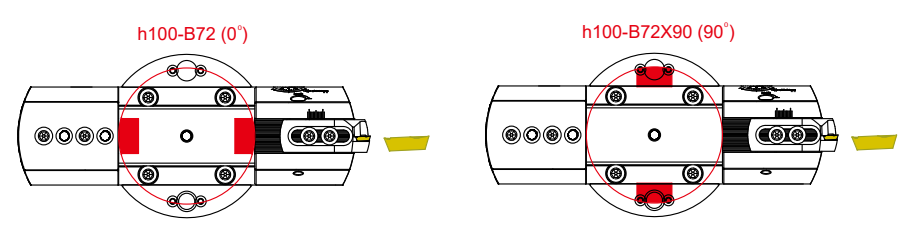
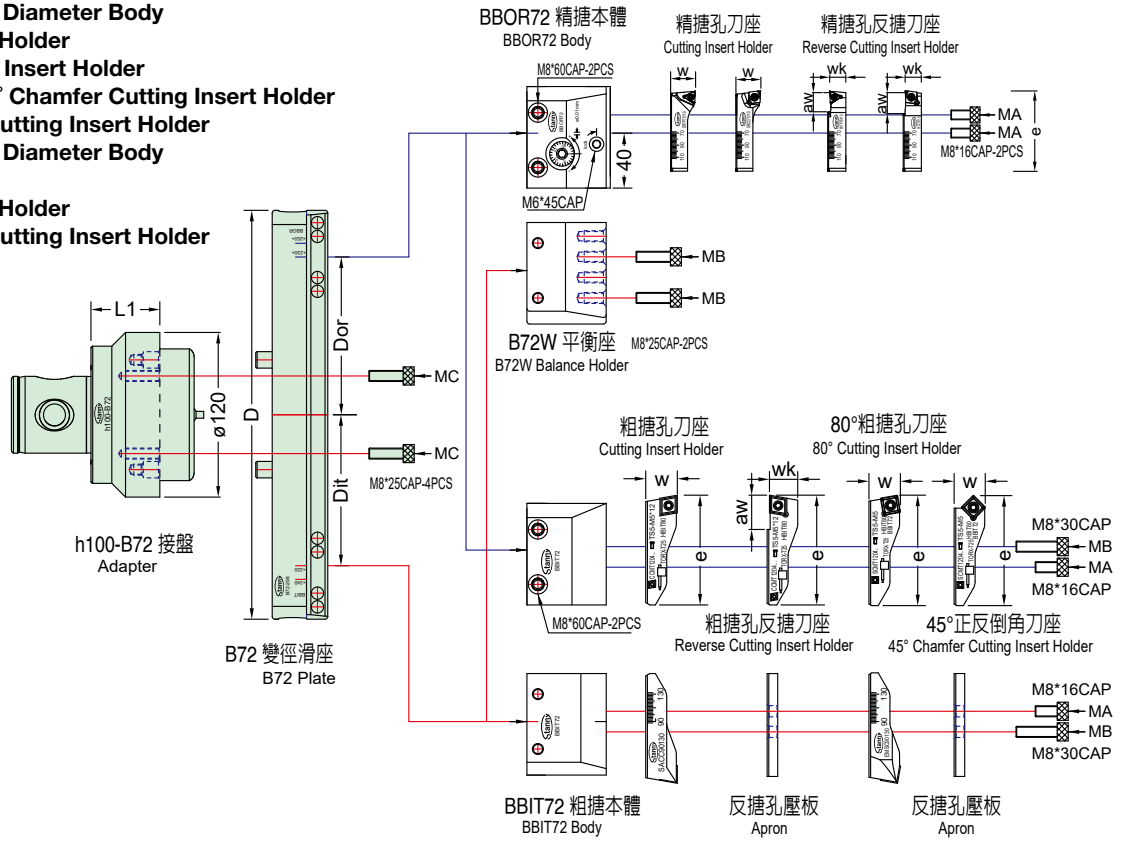
粗搪孔反搪刀座 Reverse Cutting Insert Holder

大孔徑精搪孔刀本體 Large Diameter Body

平衡座 Balance Holder

精搪孔刀座 Cutting Insert Holder

精搪孔反搪刀座 Reverse Cutting Insert Holder



**h100-B72接盤
Adapter for BBIT and BBOR Large Diameter Boring System**

訂貨編號 Order No.	規格 Model	L1	MC螺絲 MC Bolt	淨重 N.W.
41720000	h100-B72	50	CAP M8x25-4PCS	4.80
41720000x9	h100-B72x90°			



**B72 變徑滑座
Plate for BBIT and BBOR Large Diameter Boring System**

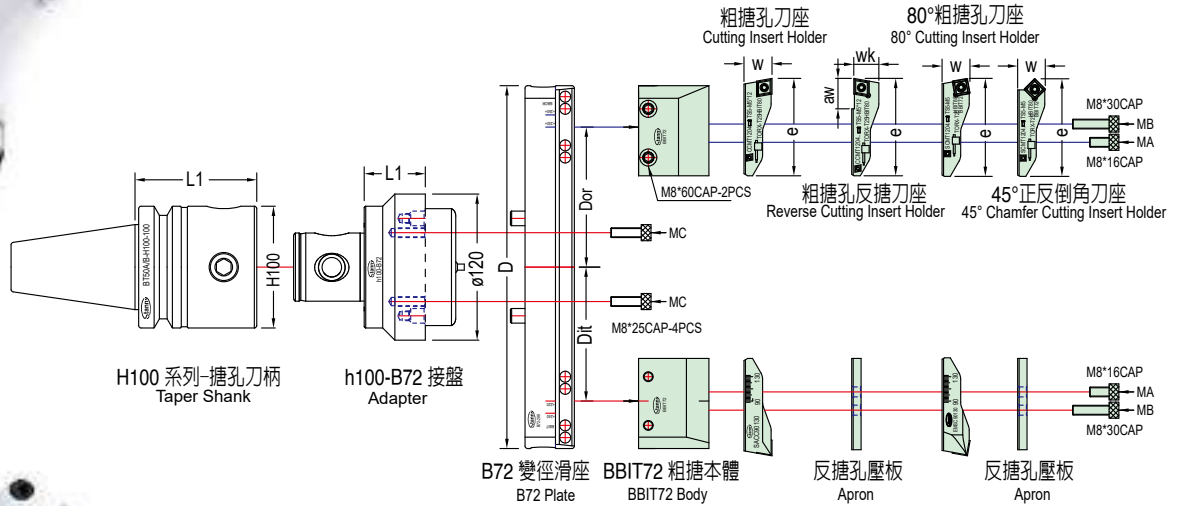
訂貨編號 Order No.	規格 Model	長度 D	BBOR Dor	BBIT Dit	淨重 N.W.
70172148	B72-148	148	40	35	2.15
70272198	B72-198	198	65	60	3.00
70372248	B72-248	248	90	85	3.80
70472298	B72-298	298	115	110	4.60
70572348	B72-348	348	140	135	5.40
70672398	B72-398	398	165	160	6.20

註:變徑滑座設有兩組測孔,相距10mm,可增加ø20mm搪孔範圍,使搪孔範圍更附彈性。
Remark: Plate has four holes,distance 10mm and the boring range increase ø20mm.





- 搪孔刀柄 Taper Shank
- 延長接桿 Extension Spacer
- 接盤 Adapter
- 變徑滑座 Plate
- 大孔徑粗搪孔刀本體 Large Diameter Body
- 粗搪孔刀座 Cutting Insert Holder
- 粗搪孔反搪刀座 Reverse Cutting Insert Holder
- 80°粗搪孔刀座 80° Cutting Insert Holder
- 45°正反倒角粗搪孔刀座 45° Chamfer Cutting Insert Holder



BBIT72 大孔徑粗搪孔本體 Body for Large Diameter Adjustable Twin Cutter Roughing

訂貨編號 Order No.	規格 Model	移動量 Mobile	MA Bolt	MB Bolt	板手 Wrench	淨重 N.W.
70007372	BBIT72	20	M8x16	M8x30	○4 ○6	1.44

BBIT72 粗搪孔刀座 Cutting Insert Holder for BBIT Large Diameter Adjustable Twin Cutter Roughing

訂貨編號 Order No.	規格 Model	W	e	刀片 Insert	螺絲 Bolt	板手 Wrench	淨重 N.W.
30809013A	SACC90130	22.6	79.5	CCMT1204..	TS5-M5	T25	0.17
30809013B	SBCC90130		0.18				
30813017A	SACC130170		99.5				0.23
30813017B	SBCC130170		0.24				

BBIT72 粗搪孔反搪刀座 Reverse Cutting Insert Holder for BBIT Large Diameter Adjustable Single Cutter Roughing

訂貨編號 Order No.	規格 Model	aw	wk	e	刀片 Insert	螺絲 Bolt	板手 Wrench	淨重 N.W.
30809013K	RKCC90130	22	22	79.5	CCMT1204..	TS5-M5	T25	0.18
30813017K	RKCC130170	44	22	99.5				0.25

BBIT72 80°粗搪孔刀座 80° Cutting Insert Holder for BBIT Adjustable Twin Cutter Roughing

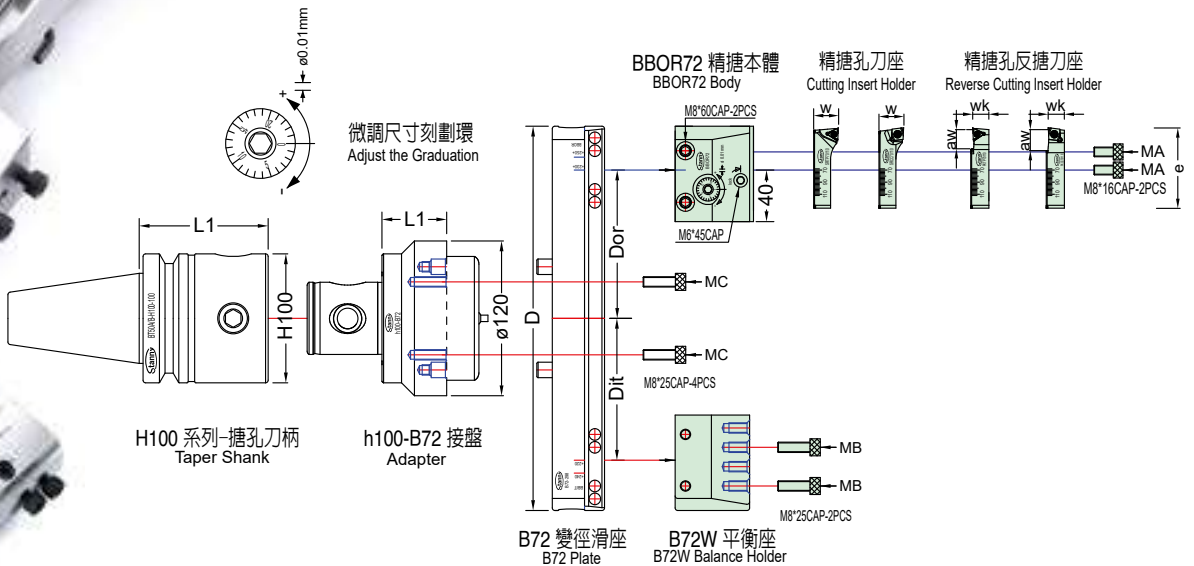
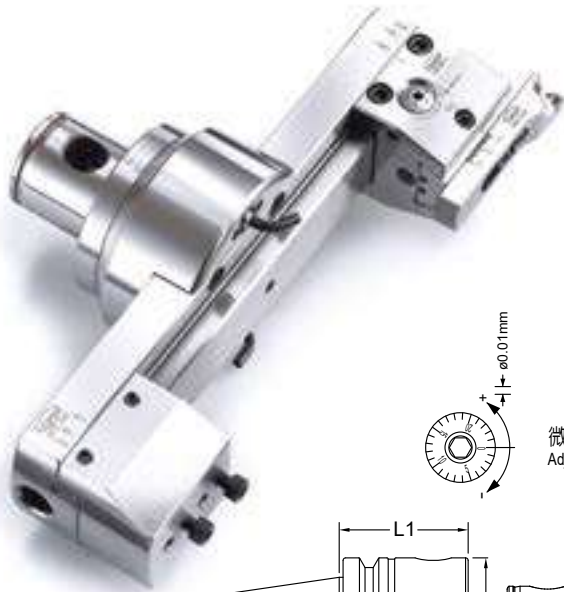
訂貨編號 Order No.	規格 Model	w	e	刀片 Insert	螺絲 Bolt	板手 Wrench	淨重 N.W.
30809013M	EMSC90130	23.1	80.5	SCMT1204..	TS5-M5	T25	0.17
30813017M	EMSC130170		100.5				0.23

BBIT72 45°正反倒角粗搪孔刀座 45° Chamfer Cutting Insert Holder for BBIT Adjustable Single Cutter Roughing

訂貨編號 Order No.	規格 Model	w	e	刀片 Insert	螺絲 Bolt	板手 Wrench	淨重 N.W.
30809013W	IWSC90130	23.1	80.5	SCMT1204..	TS5-M5	T25	0.16
30813017W	IWSC130170		100.5				0.22

搪孔刀柄 Taper Shank
 延長接桿 Extension Spacer
 接盤 Adapter
 變徑滑座 Plate

- 大孔徑精搪孔刀本體 Large Diameter Body
- 平衡座 Balance Holder
- 精搪孔刀座 Cutting Insert Holder
- 菱形精搪孔刀座 Rhombus Cutting Insert Holder
- 精搪孔反搪刀座 Reverse Cutting Insert Holder
- 菱形精搪孔反搪刀座 Rhombus Reverse Cutting Insert Holder



BBOR72 大孔徑微調精搪孔本體+B72W平衡座 Body and Balance Holder for Large Diameter Finishing Cutter Fine Boring System

訂貨編號 Order No.	規格 Model	移動量 Mobile	MA Bolt	MB Bolt	板手 Wrench	淨重 N.W.
70007572	BBOR72	28.5	M8x16		5 6	1.65
70007472	B72W			M8x25		1.59

BBOR72 精搪孔刀座 Cutting Insert Holder for BBOR Large Diameter Finishing Cutter Fine Boring System

訂貨編號 Order No.	規格 Model	W	e	刀片 Insert	螺絲 Bolt	板手 Wrench	淨重 N.W.
50637011	SRTP70110	20	66	TPGH1103..L	SB-3TR-M3	T8	0.10
50637115	SRTP110150		106				0.21

BBOR72 菱形精搪孔刀座 Rhombus Cutting Insert Holder for BBOR Large Diameter Finishing Cutter Fine Boring System

訂貨編號 Order No.	規格 Model	W	e	刀片 Insert	螺絲 Bolt	板手 Wrench	淨重 N.W.
50637011CC	SRCC70110		67				0.10
50637115CC	SRCC110150	20	107	CCGT09T3..L	TS4-M4	T15	0.20

BBOR72 精搪孔反搪刀座 Reverse Cutting Insert Holder for BBOR Large Diameter Finishing Cutter Fine Boring System

訂貨編號 Order No.	規格 Model	aw	wk	e	刀片 Insert	螺絲 Bolt	板手 Wrench	淨重 N.W.
50637011K	FKTP70110	16	15	66	TPGH1103..R	SB-3TR-M3	T8	0.10
50637115K	FKTP110150	25		106				0.21

BBOR72 菱形精搪孔反搪刀座 Rhombus Reverse Cutting Insert Holder for BBOR Large Diameter Finishing Cutter Fine Boring System

訂貨編號 Order No.	規格 Model	aw	wk	e	刀片 Insert	螺絲 Bolt	板手 Wrench	淨重 N.W.
50637011KC	FKCC70110	16	15	67				0.10
50637115KC	FKCC110150	28		107	CCGT09T3..R	TS4-M4	T15	0.20

搪孔刀柄、接盤、變徑滑座、大孔徑粗搪孔刀本體、粗搪孔刀座

Taper Shank, Adapter, Plate, Large Diameter Body and Cutting Insert Holder

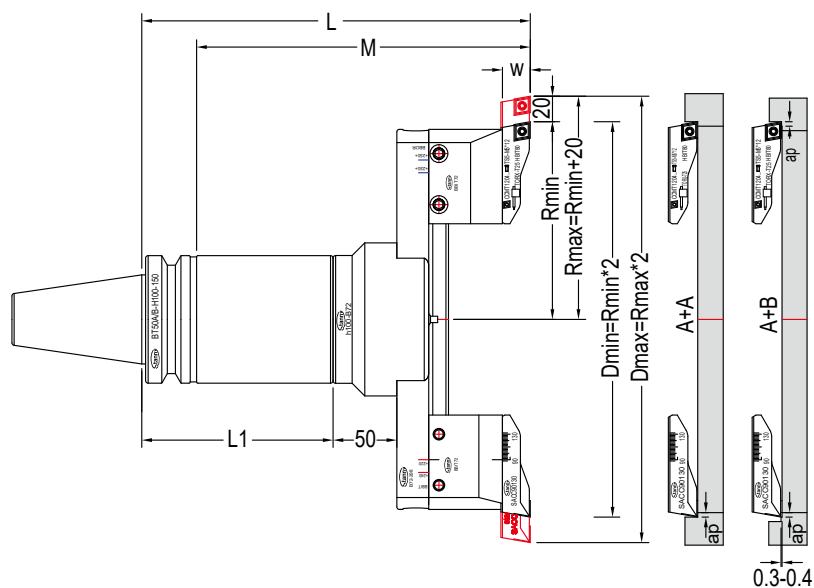


整支 SET

MAS403 DBT-BBIT72 大孔徑雙刃粗搪孔刀-AB type

MAS403 DBT and BBIT72 Large Diameter Adjustable Twin Cutter Roughing and Semi-Finishing Boring System

訂貨編號 Order No.	規 格 Model	範 圍 D Boring Range øDMin-øDMax	M	L	大孔徑粗搪孔系統組合 Large Diameter Adjustable Twin Cutter Boring System					淨 重 N.W.		
					搪孔刀柄 Taper Shank	接 盤 Adapter	變徑滑座 Plate	大孔徑粗搪孔刀本體 Boring Head	粗搪孔刀座 Cutting Insert Holder			
83108520AB	DBT50-BBIT72-202	AB 160-220	202	254	DBT50-H100-100			B72-148			16.13	
83208520AB	DBT50-BBIT72-202	AB 210-270						B72-198			16.98	
83308520AB	DBT50-BBIT72-202	AB 260-320						B72-248			SACC90130	17.78
83408520AB	DBT50-BBIT72-202	AB 310-370						B72-298			SBCC90130	18.58
83508520AB	DBT50-BBIT72-202	AB 360-420						B72-348				19.38
83608520AB	DBT50-BBIT72-202	AB 410-470						B72-398				20.18
83118520AB	DBT50-BBIT72-202	AB 200-260						B72-148				16.25
83218520AB	DBT50-BBIT72-202	AB 250-310						B72-198				17.10
83318520AB	DBT50-BBIT72-202	AB 300-360						B72-248			SACC130170	17.90
83418520AB	DBT50-BBIT72-202	AB 350-410						B72-298			SBCC130170	18.70
83518520AB	DBT50-BBIT72-202	AB 400-460	B72-348		19.50							
83618520AB	DBT50-BBIT72-202	AB 450-510	B72-398		20.30							
83108525AB	DBT50-BBIT72-252	AB 160-220	252	304	DBT50-H100-150	h100-B72	BBIT72	B72-148			18.78	
83208525AB	DBT50-BBIT72-252	AB 210-270						B72-198			19.63	
83308525AB	DBT50-BBIT72-252	AB 260-320						B72-248			SACC90130	20.43
83408525AB	DBT50-BBIT72-252	AB 310-370						B72-298			SBCC90130	21.23
83508525AB	DBT50-BBIT72-252	AB 360-420						B72-348				22.03
83608525AB	DBT50-BBIT72-252	AB 410-470						B72-398				22.83
83118525AB	DBT50-BBIT72-252	AB 200-260						B72-148				18.90
83218525AB	DBT50-BBIT72-252	AB 250-310						B72-198				19.75
83318525AB	DBT50-BBIT72-252	AB 300-360						B72-248			SACC130170	20.55
83418525AB	DBT50-BBIT72-252	AB 350-410						B72-298			SBCC130170	21.35
83518525AB	DBT50-BBIT72-252	AB 400-460	B72-348		22.15							
83618525AB	DBT50-BBIT72-252	AB 450-510	B72-398		22.95							
83108530AB	DBT50-BBIT72-302	AB 160-220	302	354	DBT50-H100-200			B72-148			21.73	
83208530AB	DBT50-BBIT72-302	AB 210-270						B72-198			22.58	
83308530AB	DBT50-BBIT72-302	AB 260-320						B72-248			SACC90130	23.38
83408530AB	DBT50-BBIT72-302	AB 310-370						B72-298			SBCC90130	24.18
83508530AB	DBT50-BBIT72-302	AB 360-420						B72-348				24.98
83608530AB	DBT50-BBIT72-302	AB 410-470						B72-398				25.78
83118530AB	DBT50-BBIT72-302	AB 200-260						B72-148				21.85
83218530AB	DBT50-BBIT72-302	AB 250-310						B72-198				22.70
83318530AB	DBT50-BBIT72-302	AB 300-360						B72-248			SACC130170	23.50
83418530AB	DBT50-BBIT72-302	AB 350-410						B72-298			SBCC130170	24.30
83518530AB	DBT50-BBIT72-302	AB 400-460	B72-348		25.10							
83618530AB	DBT50-BBIT72-302	AB 450-510	B72-398		25.90							



訂貨編號 Order No.	規格 Model	範圍 D Boring Range øDMin-øDMax	M	L	大孔徑粗搪孔系統組合 Large Diameter Adjustable Twin Cutter Boring System				淨重 N.W.
					搪孔刀柄 Taper Shank	接盤 Adapter	變徑滑座 Plate	大孔徑粗搪孔刀本體 Boring Head	
83108535AB	DBT50-BBIT72-352	AB 160-220	352	404	DBT50-H100-250	h100-B72	BBIT72	SACC90130 SBCC90130	24.68
83208535AB	DBT50-BBIT72-352	AB 210-270							25.53
83308535AB	DBT50-BBIT72-352	AB 260-320							26.33
83408535AB	DBT50-BBIT72-352	AB 310-370							27.13
83508535AB	DBT50-BBIT72-352	AB 360-420							27.93
83608535AB	DBT50-BBIT72-352	AB 410-470							28.73
83118535AB	DBT50-BBIT72-352	AB 200-260							24.80
83218535AB	DBT50-BBIT72-352	AB 250-310							25.65
83318535AB	DBT50-BBIT72-352	AB 300-360							26.45
83418535AB	DBT50-BBIT72-352	AB 350-410							27.25
83518535AB	DBT50-BBIT72-352	AB 400-460							28.05
83618535AB	DBT50-BBIT72-352	AB 450-510							28.85



BBOR72

大孔徑微調精搪孔刀組合系統

Large Diameter Finishing Cutter Fine Boring System

搪孔刀柄、接盤、變徑滑座、大孔徑精搪孔刀本體、平衡座、精搪孔刀座
 Taper Shank, Adapter, Plate, Large Diameter Body, Balance Holder and Cutting Insert Holder

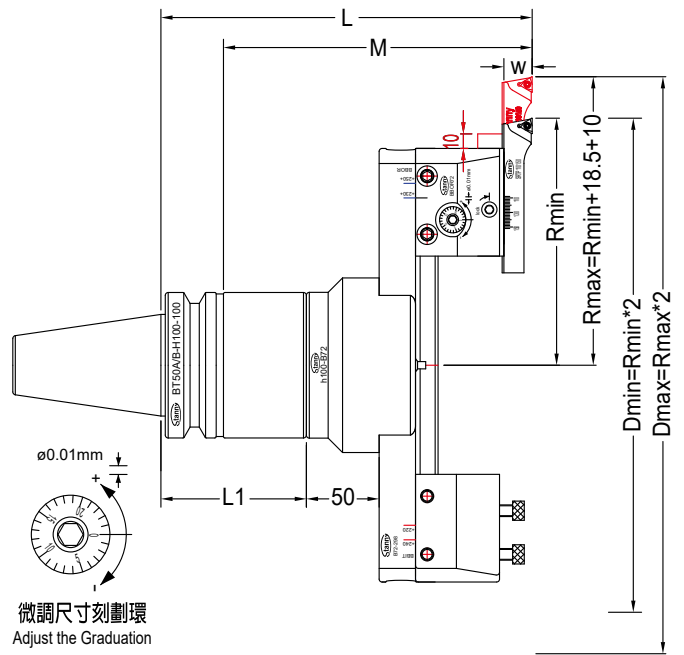


整支 SET

MAS403 DBT-BBOR72 大孔徑微調精搪孔刀

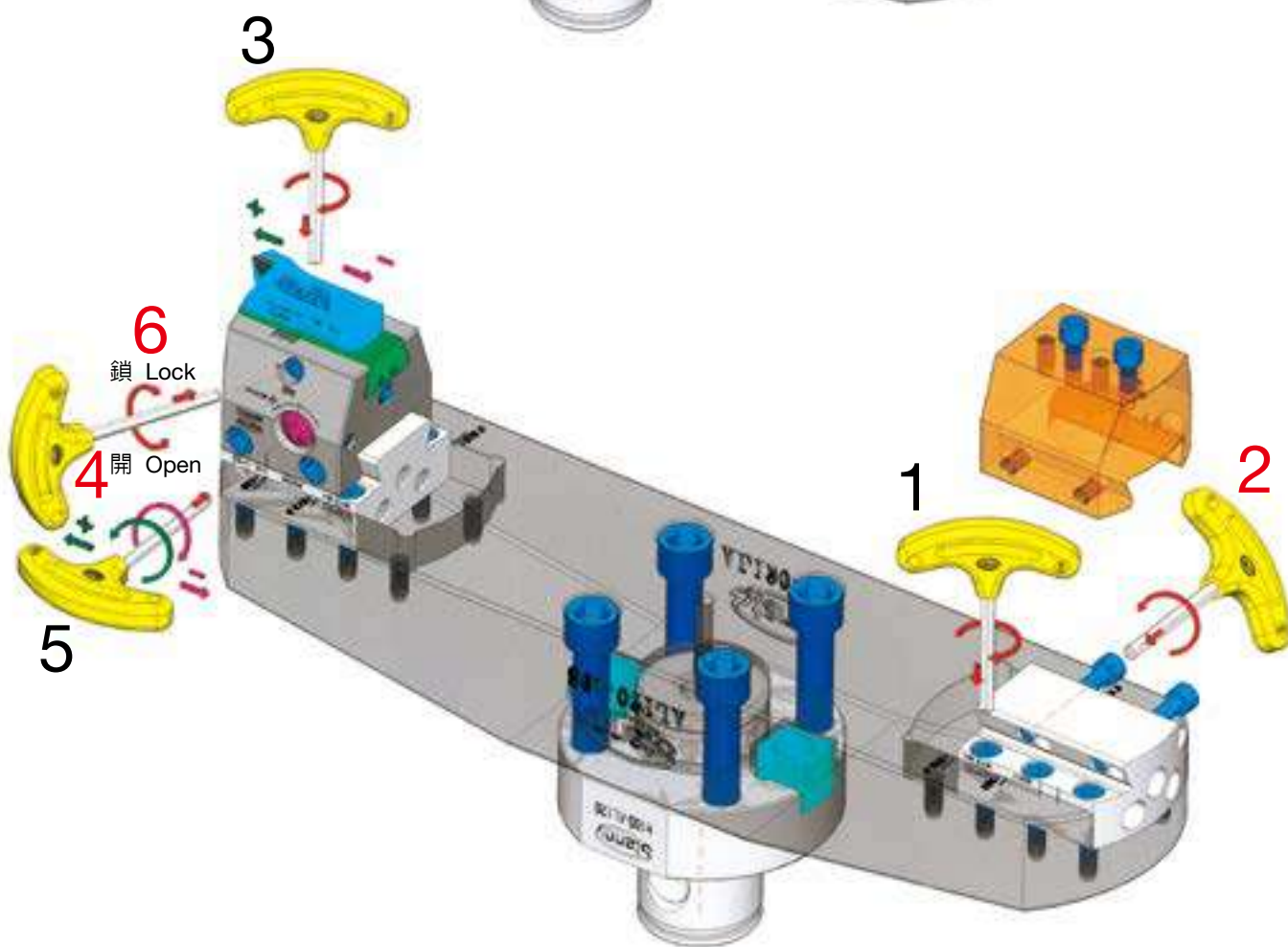
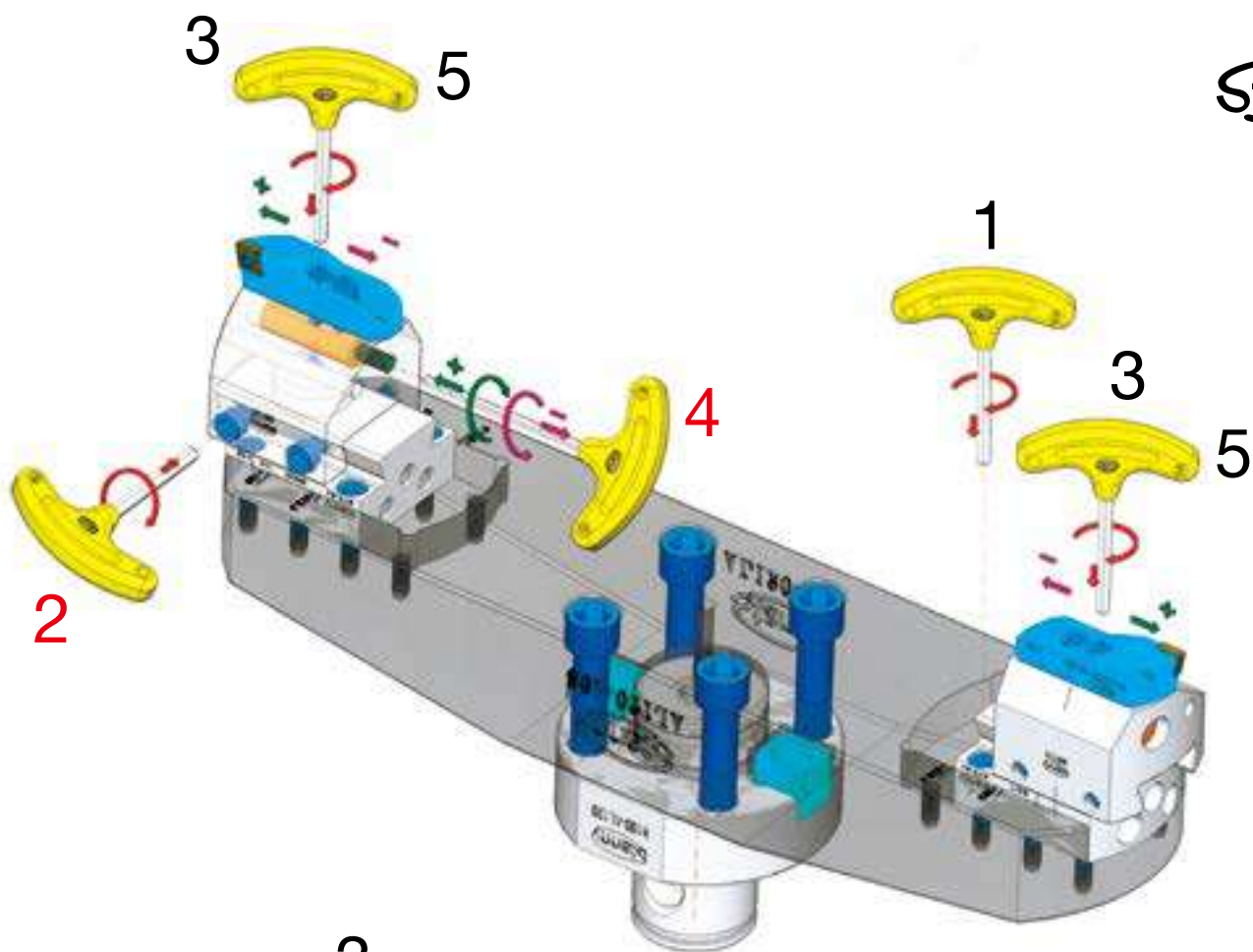
MAS403 DBT and BBOR72 Large Diameter Finishing Cutter Fine Boring System

訂貨編號 Order No.	規 格 Model	範 圍 D Boring Range øDMin-øDMax	M	L	大孔徑精搪孔系統組合 Large Diameter Finishing Cutter Fine Boring System					淨 重 N.W.						
					搪孔刀柄 Taper Shank	接 盤 Adapter	變徑滑座 Plate	大孔徑精搪孔刀本體 Boring Head	精搪孔刀座 Cutting Insert Holder							
85108520	DBT50-BBOR72-202	M 150-227	202	255	DBT50-H100-100			B72-148	SRTP70110	16.24						
85208520	DBT50-BBOR72-202	M 200-277						B72-198		17.09						
85308520	DBT50-BBOR72-202	M 250-327						B72-248		17.89						
85408520	DBT50-BBOR72-202	M 300-377						B72-298		18.69						
85508520	DBT50-BBOR72-202	M 350-427						B72-348		19.49						
85608520	DBT50-BBOR72-202	M 400-477						B72-398		20.29						
85118520	DBT50-BBOR72-202	M 190-267						B72-148		SRTP110150	16.35					
85218520	DBT50-BBOR72-202	M 240-317						B72-198			17.20					
85318520	DBT50-BBOR72-202	M 290-367						B72-248			18.00					
85418520	DBT50-BBOR72-202	M 340-417						B72-298			18.80					
85518520	DBT50-BBOR72-202	M 390-467						B72-348		19.60						
85618520	DBT50-BBOR72-202	M 440-517						B72-398		20.40						
85108525	DBT50-BBOR72-252	M 150-227						252		305	DBT50-H100-150	h100-B72	BBOR72 B72W	B72-148	SRTP70110	18.89
85208525	DBT50-BBOR72-252	M 200-277												B72-198		19.74
85308525	DBT50-BBOR72-252	M 250-327	B72-248	20.54												
85408525	DBT50-BBOR72-252	M 300-377	B72-298	21.34												
85508525	DBT50-BBOR72-252	M 350-427	B72-348	22.14												
85608525	DBT50-BBOR72-252	M 400-477	B72-398	22.94												
85118525	DBT50-BBOR72-252	M 190-267	B72-148	SRTP110150	19.00											
85218525	DBT50-BBOR72-252	M 240-317	B72-198		19.85											
85318525	DBT50-BBOR72-252	M 290-367	B72-248		20.65											
85418525	DBT50-BBOR72-252	M 340-417	B72-298		21.45											
85518525	DBT50-BBOR72-252	M 390-467	B72-348	22.25												
85618525	DBT50-BBOR72-252	M 440-517	B72-398	23.05												
85108530	DBT50-BBOR72-302	M 150-227	302	355	DBT50-H100-200				B72-148					SRTP70110		21.84
85208530	DBT50-BBOR72-302	M 200-277							B72-198							22.69
85308530	DBT50-BBOR72-302	M 250-327						B72-248	23.49							
85408530	DBT50-BBOR72-302	M 300-377						B72-298	24.29							
85508530	DBT50-BBOR72-302	M 350-427						B72-348	25.09							
85608530	DBT50-BBOR72-302	M 400-477						B72-398	25.89							
85118530	DBT50-BBOR72-302	M 190-267						B72-148	SRTP110150	21.95						
85218530	DBT50-BBOR72-302	M 240-317						B72-198		22.80						
85318530	DBT50-BBOR72-302	M 290-367						B72-248		23.60						
85418530	DBT50-BBOR72-302	M 340-417						B72-298		24.40						
85518530	DBT50-BBOR72-302	M 390-467						B72-348	25.20							
85618530	DBT50-BBOR72-302	M 440-517						B72-398	26.00							



訂貨編號 Order No.	規格 Model	範圍 D Boring Range øDMin-øDMax	M	L	大孔徑精搪孔系統組合 Large Diameter Finishing Cutter Fine Boring System					淨重 N.W.				
					搪孔刀柄 Taper Shank	接盤 Adapter	變徑滑座 Plate	大孔徑精搪孔刀本體 Boring Head	精搪孔刀座 Cutting Insert Holder					
85108535	DBT50-BBOR72-352	M 150-227	352	405	DBT50-H100-250	h100-B72	BBOR72 B72W	SRTP70110	24.79					
85208535	DBT50-BBOR72-352	M 200-277							25.64					
85308535	DBT50-BBOR72-352	M 250-327							26.44					
85408535	DBT50-BBOR72-352	M 300-377							27.24					
85508535	DBT50-BBOR72-352	M 350-427							28.04					
85608535	DBT50-BBOR72-352	M 400-477							28.84					
85118535	DBT50-BBOR72-352	M 190-267							24.90					
85218535	DBT50-BBOR72-352	M 240-317							25.75					
85318535	DBT50-BBOR72-352	M 290-367							26.55					
85418535	DBT50-BBOR72-352	M 340-417							27.35					
85518535	DBT50-BBOR72-352	M 390-467							28.15					
85618535	DBT50-BBOR72-352	M 440-517							28.95					
													SRTP110150	







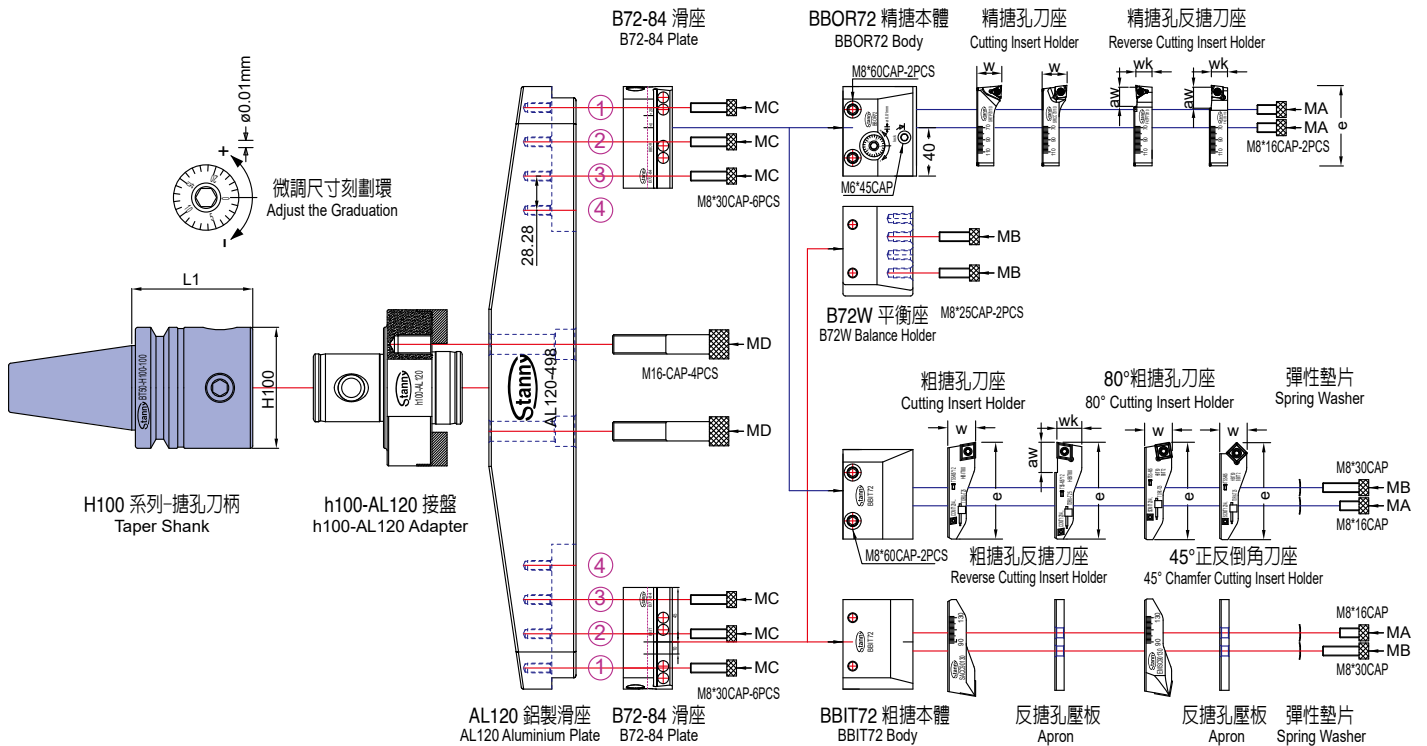
h100-AL120 大孔徑搪孔刀組合系統
Large Diameter Boring System



h100-AL120

大孔徑搪孔刀組合系統 Large Diameter Boring System

- 搪孔刀柄 Taper Shank
- 延長接桿 Extension Spacer
- 接盤 Adapter
- 鋁製滑座 Aluminium Plate
- 滑座 Plate
- 大孔徑粗搪孔刀本體 Large Diameter Body
- 粗搪孔刀座 Cutting Insert Holder
- 80°粗搪孔刀座 80° Cutting Insert Holder
- 45°正反倒角粗搪孔刀座 45° Chamfer Cutting Insert Holder
- 粗搪孔反搪刀座 Reverse Cutting Insert Holder
- 大孔徑精搪孔刀本體 Large Diameter Body
- 平衡座 Balance Holder
- 精搪孔刀座 Cutting Insert Holder
- 菱形精搪孔刀座 Rhombus Cutting Insert Holder
- 精搪孔反搪刀座 Reverse Cutting Insert Holder
- 菱形精搪孔反搪刀座 Rhombus Reverse Cutting Insert Holder



DBT50-H100-100

規格：請參閱P.19
Specification please refer to P.19



DIN69871A
ISO50-H100-100

規格：請參閱P.23
Specification please refer to P.23

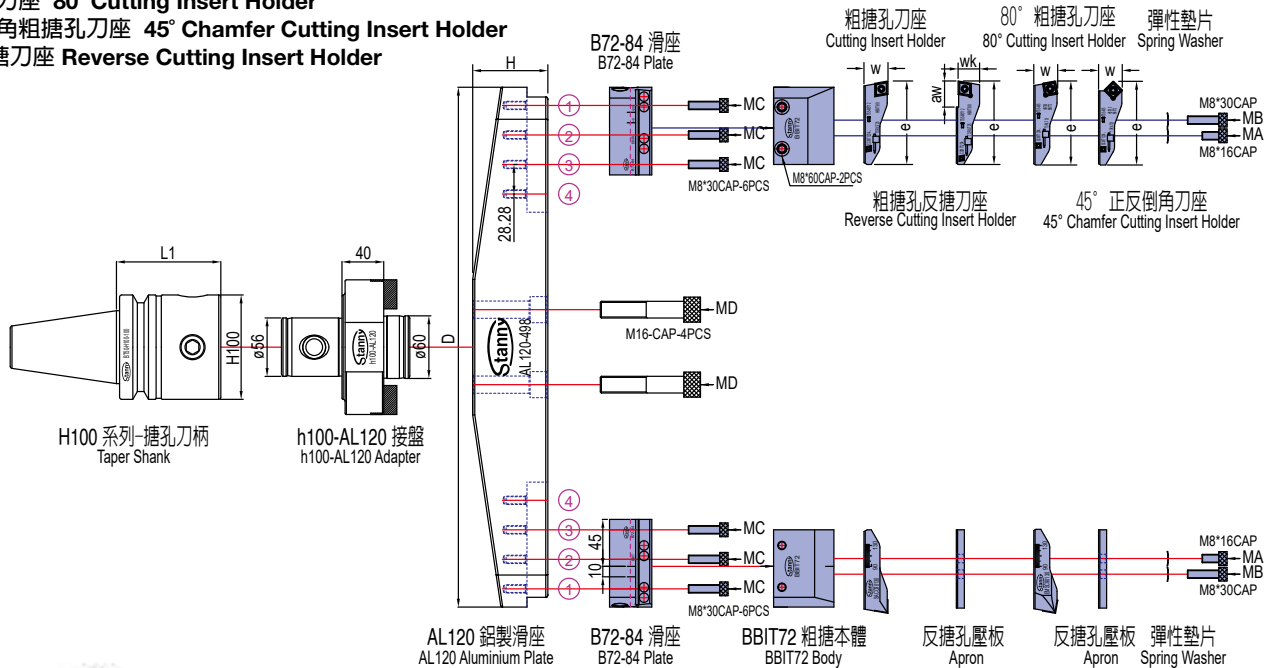


h100H100-100

規格：請參閱P.26
Specification please refer to P.26

搪孔刀柄 Taper Shank
 延長接桿 Extension Spacer
 接盤 Adapter
 鋁製滑座 Aluminium Plate
 滑座 Plate

- 大孔徑粗搪孔刀本體 Large Diameter Body
- 粗搪孔刀座 Cutting Insert Holder
- 80°粗搪孔刀座 80° Cutting Insert Holder
- 45°正反倒角粗搪孔刀座 45° Chamfer Cutting Insert Holder
- 粗搪孔反搪刀座 Reverse Cutting Insert Holder



BBIT72 大孔徑粗搪孔本體 Body for Large Diameter Adjustable Twin Cutter Roughing

訂貨編號 Order No.	規格 Model	移動量 Mobile	MA Bolt	MB Bolt	板手 Wrench	淨重 N.W.
70007372	BBIT72	20	M8x16	M8x30	○ 4 ○ 6	1.44

BBIT72 粗搪孔刀座 Cutting Insert Holder for BBIT Large Diameter Adjustable Twin Cutter Roughing

訂貨編號 Order No.	規格 Model	W	e	刀片 Insert	螺絲 Bolt	板手 Wrench	淨重 N.W.
30809013A	SACC90130	22.6	79.5	CCMT1204..	TS5-M5	T25	0.17
30809013B	SBCC90130		99.5				0.18
30813017A	SACC130170		0.23				
30813017B	SBCC130170		0.24				

BBIT72 80°粗搪孔刀座 80° Cutting Insert Holder for BBIT Adjustable Twin Cutter Roughing

訂貨編號 Order No.	規格 Model	w	e	刀片 Insert	螺絲 Bolt	板手 Wrench	淨重 N.W.
30809013M	EMSC90130	23.1	80.5	SCMT1204..	TS5-M5	T25	0.17
30813017M	EMSC130170		100.5				0.23

BBIT72 45°正反倒角粗搪孔刀座 45° Chamfer Cutting Insert Holder for BBIT Adjustable Single Cutter Roughing

訂貨編號 Order No.	規格 Model	W	e	刀片 Insert	螺絲 Bolt	板手 Wrench	淨重 N.W.
30809013W	IWSC90130	23.1	80.5	SCMT1204..	TS5-M5	T25	0.16
30813017W	IWSC130170		100.5				0.22

BBIT72 粗搪孔反搪刀座 Reverse Cutting Insert Holder for BBIT Large Diameter Adjustable Single Cutter Roughing

訂貨編號 Order No.	規格 Model	aw	wk	e	刀片 Insert	螺絲 Bolt	板手 Wrench	淨重 N.W.
30809013K	RKCC90130	22	22	79.5	CCMT1204..	TS5-M5	T25	0.18
30813017K	RKCC130170	44		99.5				0.25

h100-AL120

大孔徑搪孔刀組合系統 Large Diameter Boring System

搪孔刀柄 Taper Shank

延長接桿 Extension Spacer

接盤 Adapter

鋁製滑座 Aluminium Plate

■ 大孔徑精搪孔刀本體 Large Diameter Body

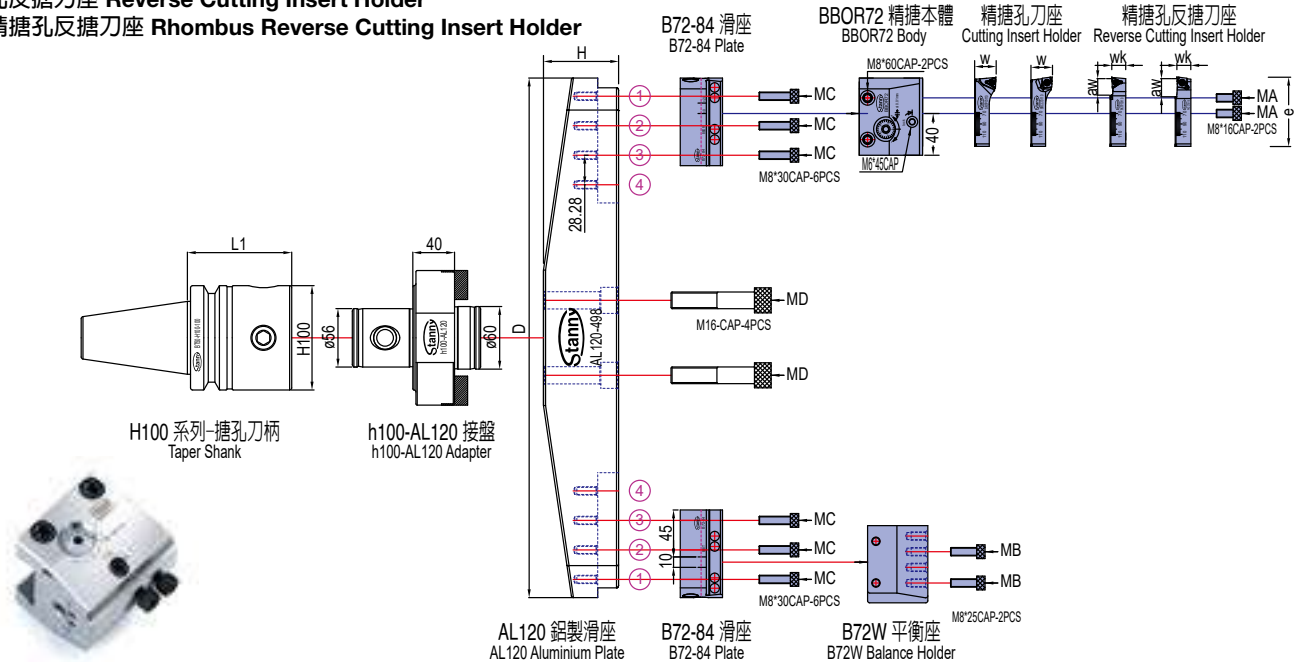
■ 平衡座 Balance Holder

■ 精搪孔刀座 Cutting Insert Holder

■ 菱形精搪孔刀座 Rhombus Cutting Insert Holder

■ 精搪孔反搪刀座 Reverse Cutting Insert Holder

■ 菱形精搪孔反搪刀座 Rhombus Reverse Cutting Insert Holder



BBOR72 大孔徑微調精搪孔本體+B72W平衡座 Body and Balance Holder for Large Diameter Finishing Cutter Fine Boring System

訂貨編號 Order No.	規格 Model	移動量 Mobile	MA Bolt	MA Bolt	板手 Wrench	淨重 N.W.
70007572	BBOR72	28.5	M8x16		5 6	1.65
70007472	B72W			M8x25		1.59

BBOR72 精搪孔刀座 Cutting Insert Holder for BBOR Large Diameter Finishing Cutter Fine Boring System

訂貨編號 Order No.	規格 Model	W	e	刀片 Insert	螺絲 Bolt	板手 Wrench	淨重 N.W.
50637011	SRTP70110	20	66	TPGH1103..L	SB-3TR-M3	T8	0.10
50637115	SRTP110150		106				0.21

BBOR72 菱形精搪孔刀座 Rhombus Cutting Insert Holder for BBOR Large Diameter Finishing Cutter Fine Boring System

訂貨編號 Order No.	規格 Model	W	e	刀片 Insert	螺絲 Bolt	板手 Wrench	淨重 N.W.
50637011CC	SRCC70110		67				0.10
50637115CC	SRCC110150	20	107	CCGT09T3..L	TS4-M4	T15	0.20

BBOR72 精搪孔反搪刀座 Reverse Cutting Insert Holder for BBOR Large Diameter Finishing Cutter Fine Boring System

訂貨編號 Order No.	規格 Model	aw	wk	e	刀片 Insert	螺絲 Bolt	板手 Wrench	淨重 N.W.
50637011K	FKTP70110	16	15	66	TPGH1103..R	SB-3TR-M3	T8	0.10
50637115K	FKTP110150	25		106				0.21

BBOR72 菱形精搪孔反搪刀座 Rhombus Reverse Cutting Insert Holder for BBOR Large Diameter Finishing Cutter Fine Boring System

訂貨編號 Order No.	規格 Model	aw	wk	e	刀片 Insert	螺絲 Bolt	板手 Wrench	淨重 N.W.
50637011KC	FKCC70110	16		67				0.10
50637115KC	FKCC110150	28		107	CCGT09T3..R	TS4-M4	T15	0.20

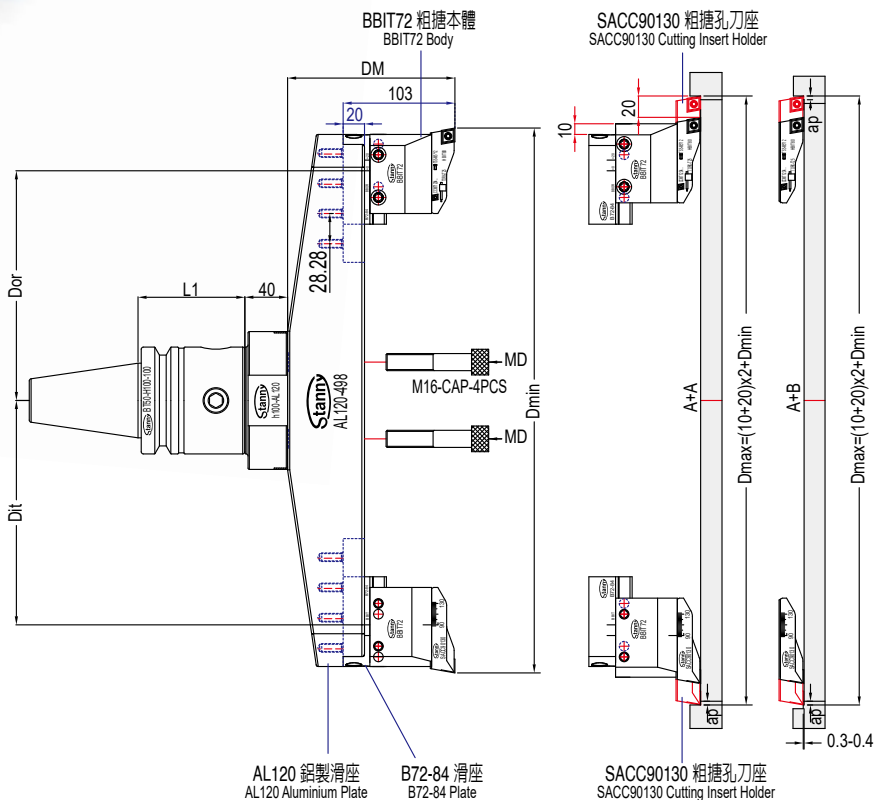


AL-BBIT72

大孔徑雙刃粗搪孔刀組合系統--AB type

Large Diameter Adjustable Twin Cutter Roughing and Semi-Finishing Boring System

搪孔刀柄、接盤、鋁製滑座、大孔徑粗搪孔刀本體、粗搪孔刀座
 Taper Shank, Adapter, Aluminium Plate, Large Diameter Body and Cutting Insert Holder



訂貨編號 Order No.	規格 Model	範圍 D Boring Range øDMin-øDMax	深度 DM	大孔徑粗搪孔系統組合 Large Diameter Adjustable Twin Cutter Boring System					淨重 N.W.
				搪孔刀柄 Taper Shank	鋁製滑座 Aluminium Plate	滑座 Plate	大孔徑粗搪孔本體 Boring Head	粗搪孔刀座 Cutting Insert Holder	
93310000AB	AL-BBIT72 AB	410-470	150		AL120-398				12.00
93410000AB	AL-BBIT72 AB	510-570	155		AL120-498				14.40
93510000AB	AL-BBIT72 AB	610-670	160		AL120-598				16.91
93610000AB	AL-BBIT72 AB	710-770	165		AL120-698				19.41
93710000AB	AL-BBIT72 AB	810-870	170		AL120-798				22.51
93810000AB	AL-BBIT72 AB	910-970	175		AL120-898				25.56
93910000AB	AL-BBIT72 AB	1010-1070	180		AL120-998				28.72
93320000AB	AL-BBIT72 AB	450-510	150		AL120-398				12.12
93420000AB	AL-BBIT72 AB	550-610	155		AL120-498				14.52
93520000AB	AL-BBIT72 AB	650-710	160		AL120-598				17.03
93620000AB	AL-BBIT72 AB	750-810	165		AL120-698				19.53
93720000AB	AL-BBIT72 AB	850-910	170		AL120-798				22.63
93820000AB	AL-BBIT72 AB	950-1010	175		AL120-898				25.68
93920000AB	AL-BBIT72 AB	1050-1110	180		AL120-998				28.84
				DBT50-H100 (P.19) + h100-AL120 (P.115) BT50-AL120 (P.120)		B72-84	BBIT72	SACC90130 SBCC90130 SACC130170 SBCC130170	

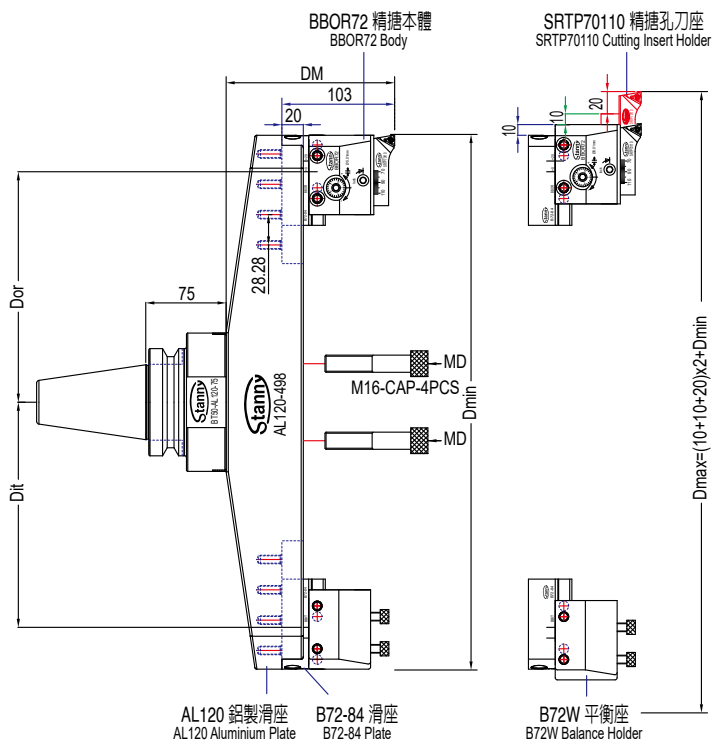
AL-BBOR72

大孔徑微調精搪孔刀組合系統

Large Diameter Finishing Cutter Fine Boring System

搪孔刀柄、接盤、鋁製滑座、大孔徑精搪孔刀本體、平衡座、精搪孔刀座

Taper Shank, Adapter, Aluminium Plate, Large Diameter Body, Balance Holder and Cutting Insert Holder



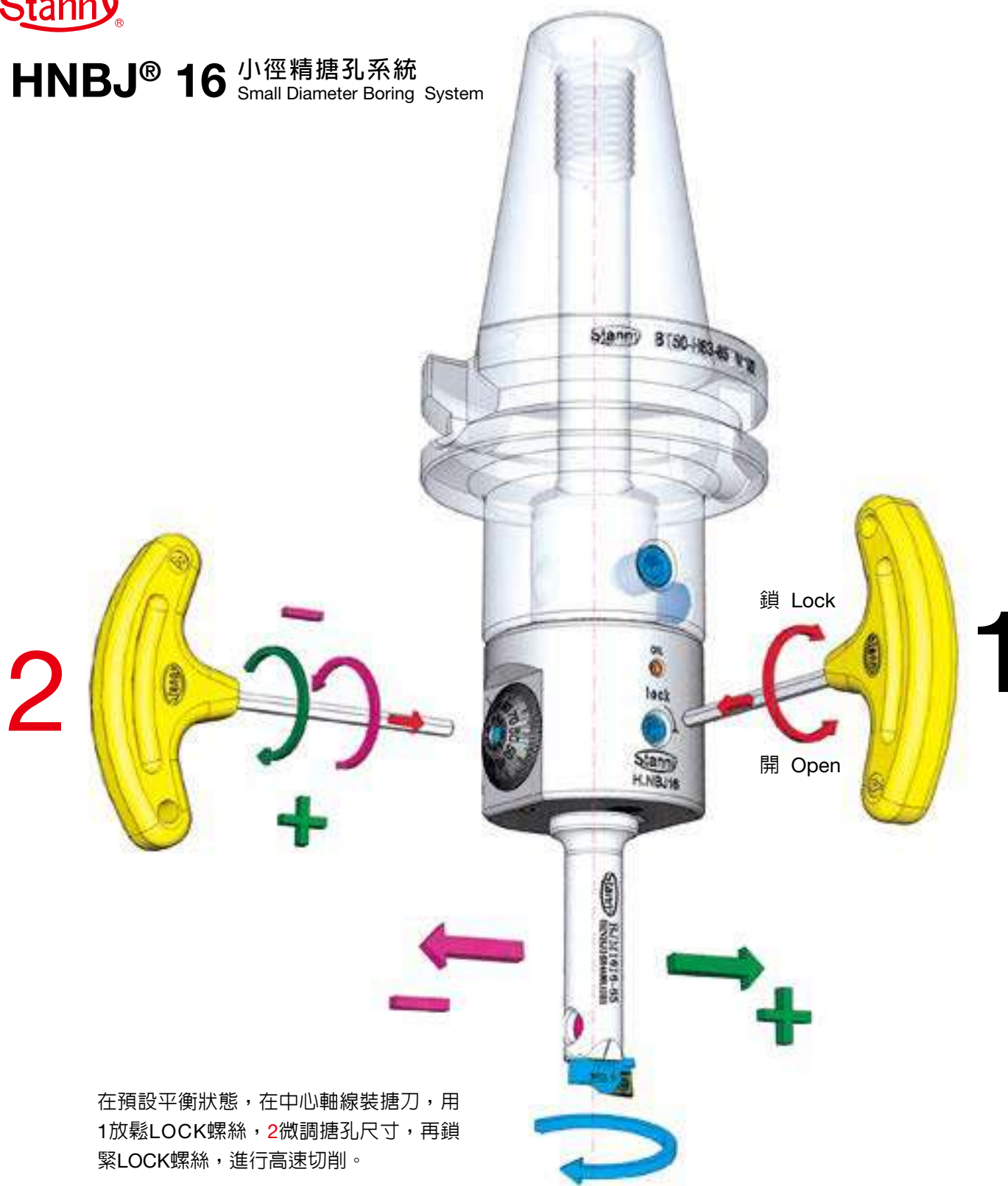
訂貨編號 Order No.	規格 Model	範圍 D Boring Range øDMin-øDMax	深度 DM	大孔徑精搪孔系統組合 Large Diameter Finishing Cutter Fine Boring System					淨重 N.W.
				搪孔刀柄 Taper Shank	鋁製滑座 Aluminium Plate	滑座 Plate	大孔徑精搪孔本體 Boring Head	精搪孔刀座 Cutting Insert Holder	
95310000	AL-BBOR72 M	400-480	150		AL120-398				12.36
95410000	AL-BBOR72 M	500-580	155		AL120-498				14.76
95510000	AL-BBOR72 M	600-680	160		AL120-598				17.27
95610000	AL-BBOR72 M	700-780	165	DBT50-H100	AL120-698			SRTP70110	19.77
95710000	AL-BBOR72 M	800-880	170	(P.19)	AL120-798				22.87
95810000	AL-BBOR72 M	900-980	175		AL120-898				25.92
95910000	AL-BBOR72 M	1000-1080	180	h100-AL120	AL120-998	B72-84	BBOR72		29.08
95320000	AL-BBOR72 M	440-520	150	(P.115)	AL120-398		B72W		12.47
95420000	AL-BBOR72 M	540-620	155		AL120-498				14.87
95520000	AL-BBOR72 M	640-720	160	BT50-AL120	AL120-598			SRTP110150	17.38
95620000	AL-BBOR72 M	740-820	165	(P.120)	AL120-698				19.88
95720000	AL-BBOR72 M	840-920	170		AL120-798				22.98
95820000	AL-BBOR72 M	940-1020	175		AL120-898				26.03
95920000	AL-BBOR72 M	1040-1120	180		AL120-998				29.19





HNB^J® 16 小徑精搪孔系統

Small Diameter Boring System

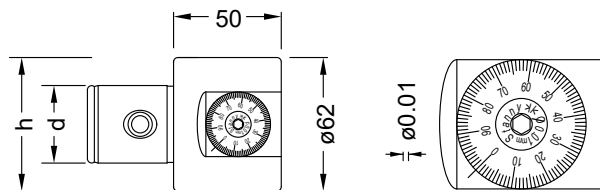


在預設平衡狀態，在中心軸線裝搪刀，用
1放鬆LOCK螺絲，2微調搪孔尺寸，再鎖
緊LOCK螺絲，進行高速切削。

The boring tools are pre-balance.
1. Loosen locking bolt
2. Rotate the graduation to adjust the size,
then tighten the locking bolt.

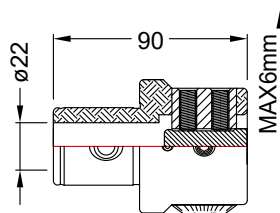


精搪孔刀本體 Body
精搪孔刀桿 Cutting Bar



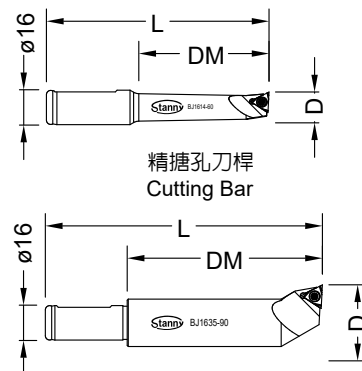
精搪孔刀本體
Body

微調尺寸刻劃環
Adjust the Graduation



HNB^J16 小徑精搪孔刀—精搪孔刀本體 Body for HNB^J16 Boring System

訂貨編號 Order No.	規格 Model	h	d	行程 Front	刀徑 Cutting Bar	板手 Wrench	淨重 N.W.
16300050	HNB ^J 16	63	36	6	ø 16	◻ 4	1.20



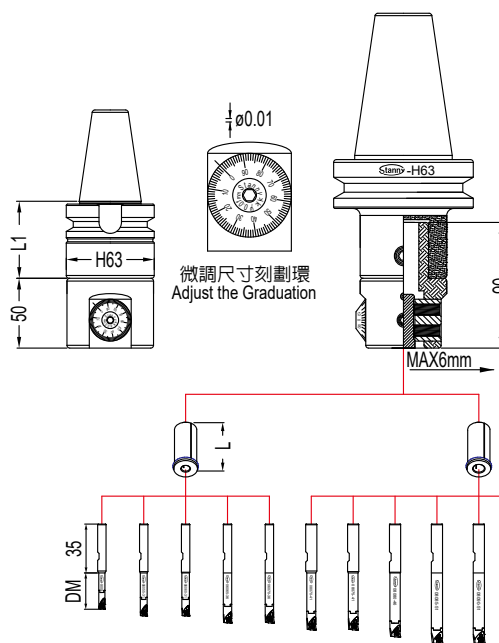
HNB^J16 小徑精搪孔刀—精搪孔刀桿 Cutting Bar for HNB^J16 Boring System

訂貨編號 Order No.	規格 Model	範圍 D Boring Range øDMin-øDMax	深度 DM	L	系統 System	刀片 Insert	螺絲 Bolt	板手 Wrench	淨重 N.W.		
16010624	BJ1606-24	6-9	24	73	HNB ^J 16	WBG0601..L	SB-1STR-M2	T6	0.08		
16010832	BJ1608-32	8-11	32	80		TBGT0601..L					
16011040	BJ1610-40	10-13	40	87		TPGH0902..L	SB-2TR-M2.5	T8	0.10		
16011253	BJ1612-53	12-15	53	98							
16011460	BJ1614-60	14-17	60	103							
16011668	BJ1616-68	16-21	68	110							
16012083	BJ1620-83	20-26	83	125		TPGH1103..L	SB-3TR-M3	T8	0.12		
16012590	BJ1625-90	25-31	90	128						0.20	
16013090	BJ1630-90	30-36									0.30
16013590	BJ1635-90	35-41									
16014090	BJ1640-90	40-46			0.38						
16014590	BJ1645-90	45-51									

整組SET G2.5 12000rpm $\phi 5 \sim \phi 11$



訂貨編號 Order No.	規格 Model	範圍D Boring Range $\phi D_{Min} - \phi D_{Max}$	組合系統-主軸柄規格 Taper Shank	L1	淨重 N.W.
16811410CR	BT40-HNB ^J 16P	5-11	MAS403 BT40-H63-55	55	6.85
16811510CR	BT50-HNB ^J 16P	5-11	MAS403 BT50-H63-65	65	9.41
16811512CR	BT50-HNB ^J 16P	5-11	MAS403 BT50-H63-85	85	9.91
16812410CR	SK40-HNB ^J 16P	5-11	DIN69871A ISO40-H63-60	60	6.89
16812510CR	SK50-HNB ^J 16P	5-11	DIN69871A ISO50-H63-65	65	8.61
16814610CR	HSK63-HNB ^J 16P	5-11	DIN69893A HSK63-H63-67	67	6.74



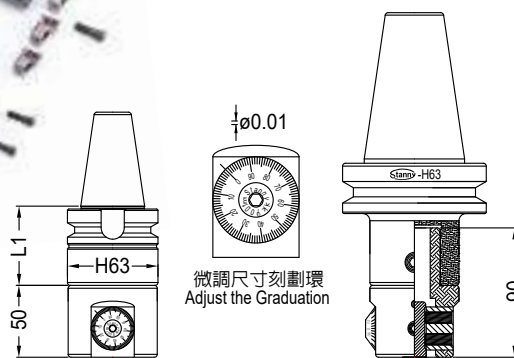
套筒 Sleeve

訂貨編號 Order No.	規格 Model	內徑 Inner	L	鎢鋼刀桿 Carbide Cutting Bar	淨重 N.W.
16081606	C1606	$\phi 6$	40	CR06...	0.0542
16081608	C1608	$\phi 8$		CR08...	0.0484

鎢鋼刀桿 Carbide Cutting Bar

訂貨編號 Order No.	規格 Model	範圍 D Boring Range $\phi D_{Min} - \phi D_{Max}$	深度 DM	套筒 Sleeve	刀片 Insert	螺絲 Bolt	板手 Wrench	淨重 N.W.
5007605026	CR06050-26	5-6	26	C1606	CCGT0301..L	SB-1630TR-M1.6	T6	0.0192
5007605531	CR06055-31	5.5-6.5	31					0.0216
5007606031	CR06060-31	6-7	36					0.0228
5007606536	CR06065-36	6.5-7.5	36	C1608	CCGT0401..L	SB-2040TR-M2	T6	0.0268
5007607036	CR06070-36	7-8	41					0.0424
5009807041	CR08070-41	7-8	41	C1608	CCGT0401..L	SB-2040TR-M2	T6	0.0448
5009807541	CR08075-41	7.5-8.5	46					0.0512
5009808046	CR08080-46	8-9	51					0.0586
5009808551	CR08085-51	8.5-9.5	51	C1608	CCGT0401..L	SB-2040TR-M2	T6	0.0590
5009809051	CR08090-51	9-10	51					0.0592
5009809551	CR08095-51	9.5-10.5	51					0.0592
5009810051	CR08100-51	10-11	51					0.0592
5009810551	CR08105-51	10.5-11.5	51					0.0592
5009811051	CR08110-51	11-12	51					0.0592

整組SET G2.5 12000rpm $\phi 11 \sim \phi 32$



訂貨編號 Order No.	規格 Model	範圍D Boring Range $\phi DM_{min} - \phi DM_{max}$	組合系統-主軸柄規格 Taper Shank	L1	淨重 N.W.
16811410	BT40-HNB ^J 16P	11-32	MAS403 BT40-H63-55	55	7.50
16811510	BT50-HNB ^J 16P	11-32	MAS403 BT50-H63-65	65	10.10
16811512	BT50-HNB ^J 16P	11-32	MAS403 BT50-H63-85	85	10.60
16812410	SK40-HNB ^J 16P	11-32	DIN69871A ISO40-H63-60	60	7.60
16812510	SK50-HNB ^J 16P	11-32	DIN69871A ISO50-H63-65	65	9.30
16814610	HSK63-HNB ^J 16P	11-32	DIN69893A HSK63-H63-67	67	7.40

套筒 Sleeve

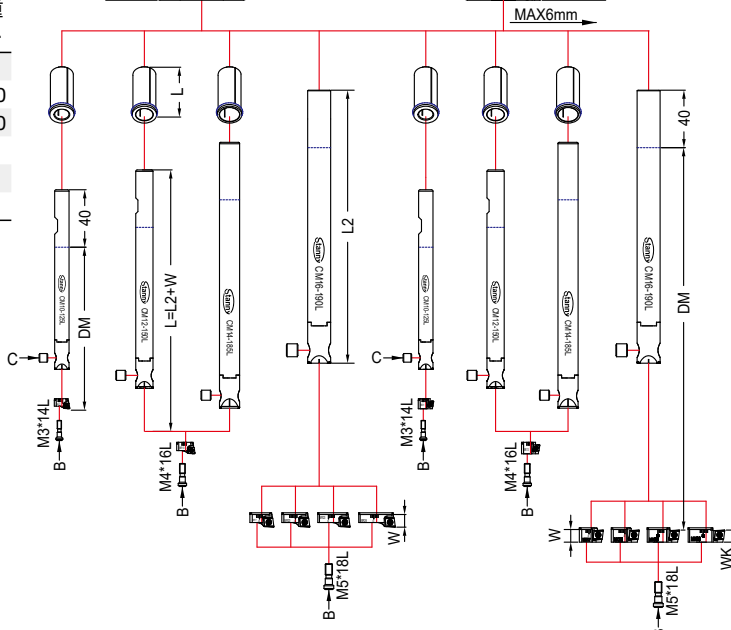
訂貨編號 Order No.	規格 Model	內徑 Inner	L	鑄鋼柄 Carbide Shank	淨重 N.W.
16081610	C1610	$\phi 10$		CM10-125L	0.0360
16081612	C1612	$\phi 12$	40	CM12-150L	0.0264
16081614	C1614	$\phi 14$		CM14-185L	0.0142

鑄鋼柄 Carbide Shank

訂貨編號 Order No.	規格 Model	外徑 Outer	L2	C導螺帽 C-NUT	B螺絲 B-Bolt	淨重 N.W.
50071012	CM10-125L	$\phi 10$	125	NUT6	SLCS-M3	0.1282
50071215	CM12-150L	$\phi 12$	150	NUT7	SLCS-M4	0.2244
50071418	CM14-185L	$\phi 14$	185	NUT9	SLCS-M5	0.3818
50071619	CM16-190L	$\phi 16$	190	NUT9	SLCS-M5	0.5006

MR (正搪) 和MK (反搪) 搪孔刀座 MR and MK (Reverse) Cutting Insert Holder

訂貨編號 Order No.	規格 Model	範圍D Boring Range $\phi DM_{min} - \phi DM_{max}$	刀座高度		深度 DM	L	鑄鋼柄 Carbide Shank	套筒 Sleeve	刀片 Insert	螺絲 Bolt	扳手 Wrench	淨重 N.W.
			W	WK								
50061114	MR11	11-14	6		72	131	CM10-125L	C1610	CCGT0301..L	SB-1630TR-M1.6		0.002
50061317	MR13	13-17	7		86	157 192	CM12-150L CM14-185L	C1612 C1614	CCGT0401..L	SB-2040TR-M2	T6	0.003
50061723	MR17	17-23										0.005
50062026	MR20	20-26										0.006
50062329	MR23	23-29	9		124	199	CM16-190L		CCGT0602..L	TS25-M2.5	T8	0.008
50062632	MR26	26-32										0.009
50051114	MK11	11-14	7	6	59	132	CM10-125L	C1610	CCGT0301..R	SB-1630TR-M1.6		0.002
50051317	MK13	13-17	8	7	72	158 193	CM12-150L CM14-185L	C1612 C1614	CCGT0401..R	SB-2040TR-M2	T6	0.003
50051723	MK17	17-23										0.005
50052026	MK20	20-26										0.007
50052329	MK23	23-29	10	9	115	200	CM16-190L		CCGT0602..R	TS25-M2.5	T8	0.009
50052632	MK26	26-32										0.011



整組SET G2.5 12000rpm $\phi 11\sim\phi 68$



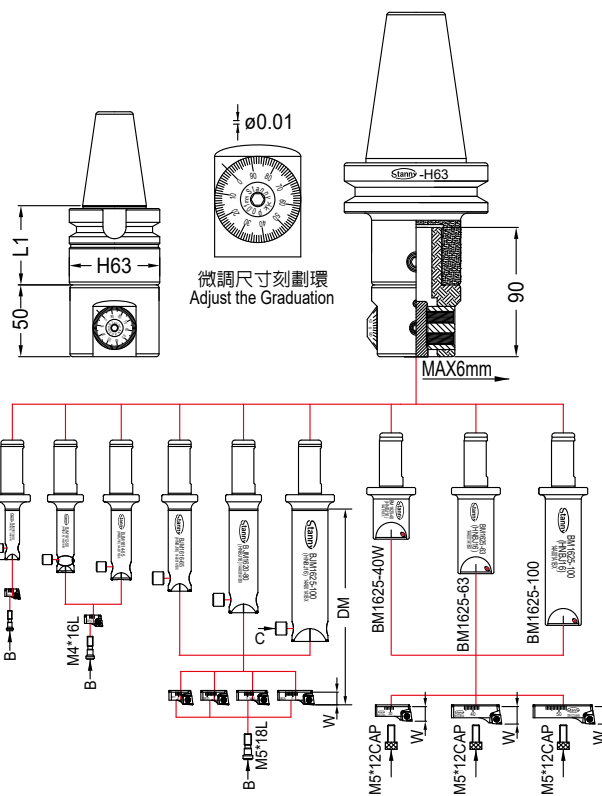
訂貨編號 Order No.	規格 Model	範圍D Boring Range $\phi_{Min}\sim\phi_{Max}$	組合系統-主軸柄規格 Taper Shank	L1	淨重 N.W.
16811410JM	BT40-HNB ^J 16P	11-68	MAS403 BT40-H63-55	55	8.50
16811510JM	BT50-HNB ^J 16P	11-68	MAS403 BT50-H63-65	65	11.05
16811512JM	BT50-HNB ^J 16P	11-68	MAS403 BT50-H63-85	85	11.55
16812410JM	SK40-HNB ^J 16P	11-68	DIN69871A ISO40-H63-60	60	8.53
16812510JM	SK50-HNB ^J 16P	11-68	DIN69871A ISO50-H63-65	65	10.25
16814610JM	HSK63-HNB ^J 16P	11-68	DIN69893A HSK63-H63-67	67	8.38

接桿 Shank

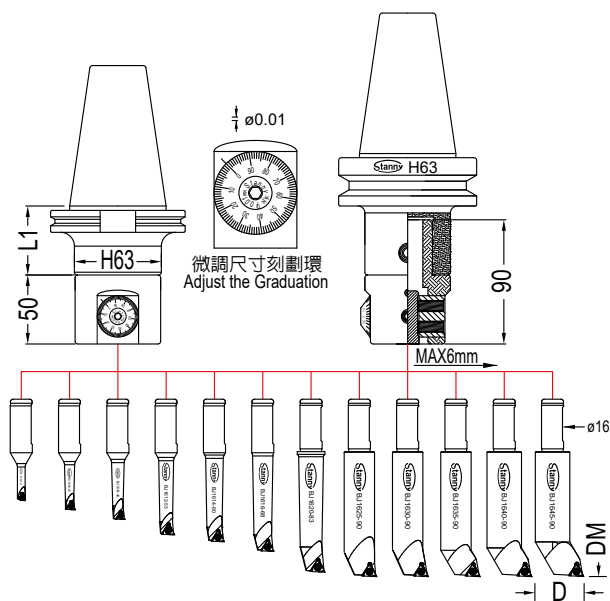
訂貨編號 Order No.	規格 Model	X	深度 DM	C導程螺帽 C-NUT	螺絲 B-Bolt	板手 Wrench	淨重 N.W.
16171004	BJM1610-40	45	41	NUT6	SLCS-M3	T8	0.12
16171205	BJM1612-50	54	51	NUT7	SLCS-M4	T15	0.14
16171405	BJM1614-55	59	56				0.16
16171606	BJM1616-65	67	66				0.19
16172008	BJM1620-80	82	81	NUT9	SLCS-M5	T25	0.27
16172510	BJM1625-100	102	101				0.46
16025040	BM1625-40	36	40	M5×12	◇4	◇4	0.20
16025063	BM1625-63	60	63				0.29
16025100	BM1625-100	96	100				0.43

搪孔刀座 Cutting Insert Holder

訂貨編號 Order No.	規格 Model	範圍D Boring Range $\phi_{Min}\sim\phi_{Max}$	刀座高度 W	接桿 Shank	刀片 Insert	螺絲 Bolt	板手 Wrench	淨重 N.W.
50061114	MR11	11-14	6	BJM1610-40	CCGT0301..L	SB-1630TR-M1.6	T6	0.002
50061317	MR13	13-17	7	BJM1612-50 BJM1614-55	CCGT0401..L	SB-2040TR-M2		0.003
50061723	MR17	17-23	9	BJM1616-65 BJM1620-80 BJM1625-100	CCGT0602..L	TS25-M2.5		0.005
50062026	MR20	20-26		0.006				
50062329	MR23	23-29		0.008				
50062632	MR26	26-32		0.009				
50252938CC	SRCC2938	29-38	11	BM1625-40			T8	0.010
50323652CC	SRCC3652	36-52	13	BM1625-63				0.020
50404468CC	SRCC4468	44-68		BM1625-100				0.030



整組 SET $\phi 6 \sim \phi 51$



訂貨編號 Order No.	規格 Model	範圍 D Boring Range $\phi_{DMin} - \phi_{DMax}$	組合系統-主軸柄規格 Taper Shank	L1	淨重 N.W
16910410	NT40-HNB ^J 16	6-51	DIN2080 ISO40-H63-55	55	9.3
16910510	NT50-HNB ^J 16	6-51	DIN2080 ISO50-H63-65	65	11.2
16911410	BT40-HNB ^J 16	6-51	MAS403 BT40-H63-55	55	9.1
16911510	BT50-HNB ^J 16	6-51	MAS403 BT50-H63-65	65	11.7
16911512	BT50-HNB ^J 16	6-51	MAS403 BT50-H63-85	85	12.2
16912410	SK40-HNB ^J 16	6-51	DIN69871A ISO40-H63-60	60	9.1
16912510	SK50-HNB ^J 16	6-51	DIN69871A ISO50-H63-65	65	10.9
16914610	HSK63-HNB ^J 16	6-51	DIN69893A HSK63-H63-67	67	9.0

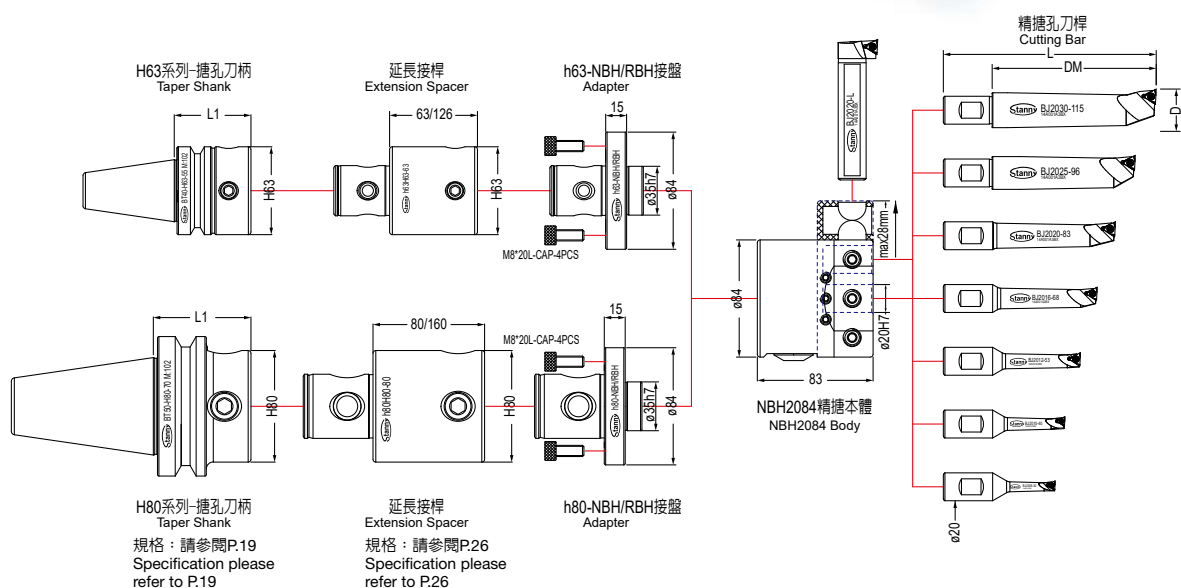
訂貨編號 Order No.	規格 Model	範圍 D Boring Range $\phi_{DMin} - \phi_{DMax}$	深度 DM	刀片 Insert	螺絲 Bolt	板手 Wrench	淨重 N.W
16010624	BJ1606-24	6-9	24	WBGT0601..L	SB-1STR-M2	T6	0.08
16010832	BJ1608-32	8-11	32	TBGT0601..L			0.08
16011040	BJ1610-40	10-13	40				0.08
16011253	BJ1612-53	12-15	53	TPGH0902..L	SB-2TR-M2.5	T8	0.10
16011460	BJ1614-60	14-17	60				0.10
16011668	BJ1616-68	16-21	68				0.12
16012083	BJ1620-83	20-26	83				0.20
16012590	BJ1625-90	25-31	90	TPGH1103..L	SB-3TR-M3	T8	0.30
16013090	BJ1630-90	30-36	90				0.32
16013590	BJ1635-90	35-41	90				0.32
16014090	BJ1640-90	40-46	90				0.38
16014590	BJ1645-90	45-51	90				0.38



NBH® 2084/HRBH® 微調精搪孔系統 

Boring System

搪孔刀柄 Taper Shank
 延長接桿 Extension Spacer
 接盤 Adapter
 精搪孔刀本體 Body
 精搪孔刀桿 Cutting Bar



NBH2084微調精搪孔系統－接盤 Adapter for NBH2084 Boring System

訂貨編號 Order No.	規格 Model	淨重 N.W.
42638415	h63-NBH/RBH	0.85
42808415	h80-NBH/RBH	1.12



NBH2084微調精搪孔系統－精搪孔刀本體 Body for NBH2084 Boring System

訂貨編號 Order No.	規格 Model	刀徑 Cutting Bar	扳手 Wrench	淨重 N.W.
20840000	NBH2084	ø 20	◇ 4 ◇ 6	3.0

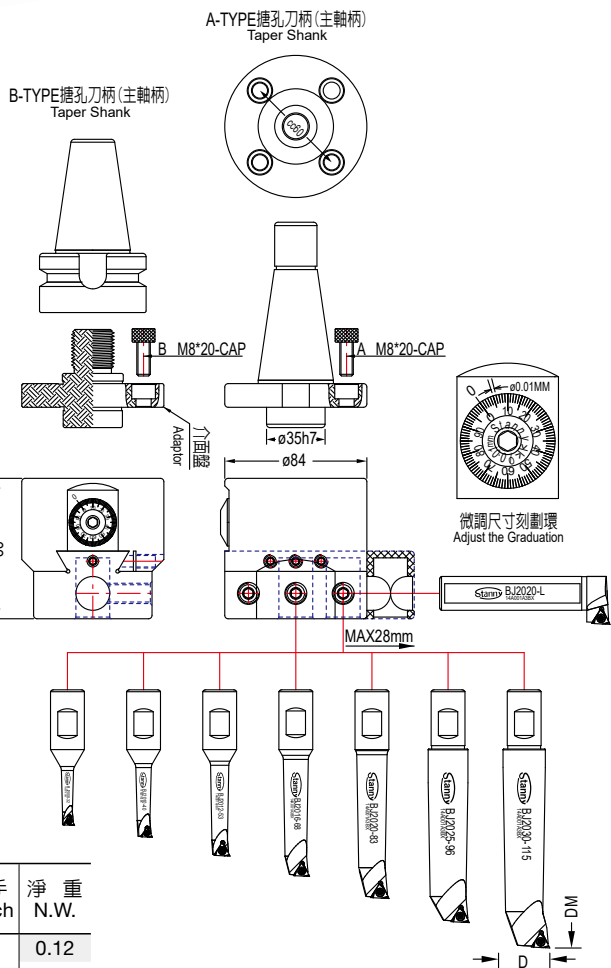


NBH2084微調精搪孔系統－精搪孔刀桿 Cutting Bar for NBH2084 Boring System

訂貨編號 Order No.	規格 Model	範圍 D Boring Range øDmin-øDmax	深度 DM	L	系統 System	刀片 Insert	螺絲 Bolt	扳手 Wrench	淨重 N.W.
20010832	BJ2008-32	8-11	32	80	NBH2084	TBGT0601..L	SB-1STR-M2	T6	0.12
20011040	BJ2010-40	10-13	40	87		TPGH0902..L	SB-2TR-M2.5	T8	0.12
20011253	BJ2012-53	12-17	53	98		TPGH1103..L	SB-3TR-M3		0.12
20011668	BJ2016-68	16-21	68	110					0.16
20012083	BJ2020-83	20-25	83	123					0.22
20012596	BJ2025-96	25-30	96	137		0.24			
20013011	BJ2030-115	30-35	115	152		0.38			
20012020	BJ2020-L	120-280	84+BT L1	100		0.46			



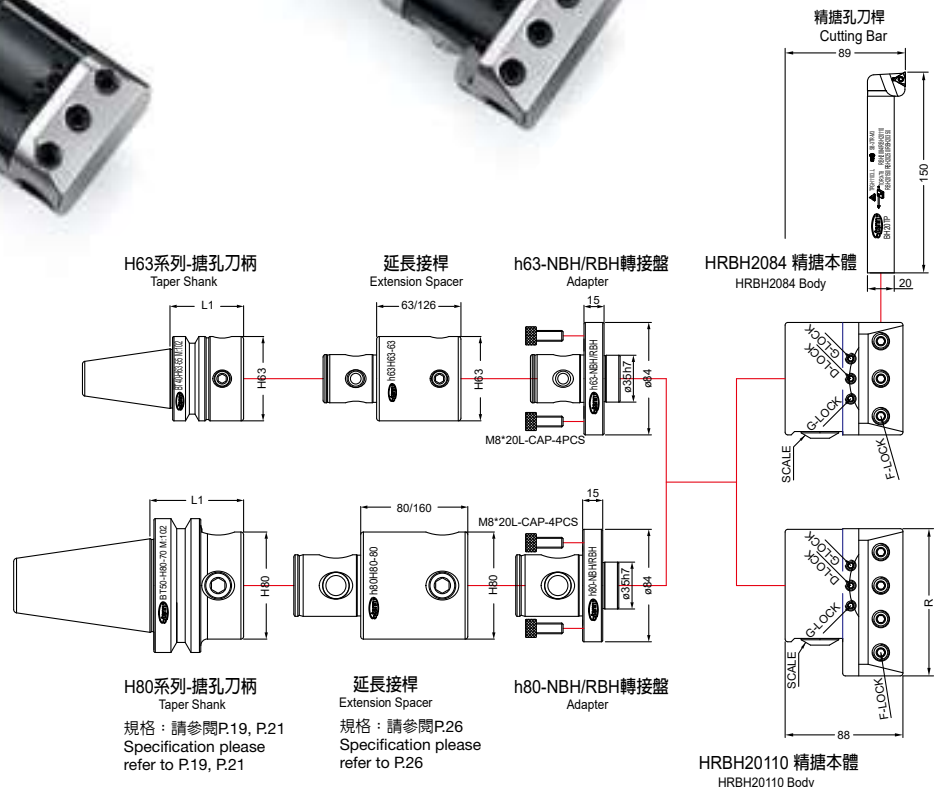
整組 SET $\varnothing 8 \sim \varnothing 280$



訂貨編號 Order No.	規格 Model	範圍 D Boring Range $\varnothing D_{min} - \varnothing D_{max}$	組合系統-主軸柄規格 Taper Shank	淨重 N.W.
20908808	R8-NBH2084	8-280	R8-UNF7/16-20-NBH2084	10
20900308	NT30-NBH2084	8-280	DIN2080 ISO30-NBH2084	9.8
20900408	NT40-NBH2084	8-280	DIN2080 ISO40-NBH2084	10.3
20900510	NT50-NBH2084	8-280	DIN2080 ISO50-NBH2084	12.6
20906408	MT4-NBH2084	8-280	DIN228A MT4-NBH2084	10.3
20906508	MT5-NBH2084	8-280	DIN228A MT5-NBH2084	11.1
20901410	BT40-NBH2084	8-280	MAS403 BT40-NBH2084	10.8
20901510	BT50-NBH2084	8-280	MAS403 BT50-NBH2084	13.5
20902410	SK40-NBH2084	8-280	DIN69871A ISO40-NBH2084	10.7
20902510	SK50-NBH2084	8-280	DIN69871A ISO50-NBH2084	13

訂貨編號 Order No.	規格 Model	範圍 D Boring Range $\varnothing D_{min} - \varnothing D_{max}$	深度 DM	刀片 Insert	螺絲 Bolt	板手 Wrench	淨重 N.W.
20010832	BJ2008-32	8-11	32	TBGT0601..L	SB-1STR-M2	T6	0.12
20011040	BJ2010-40	10-13	40			T6	0.12
20011253	BJ2012-53	12-17	53	TPGH0902..L	SB-2TR-M2.5	T6	0.12
20011668	BJ2016-68	16-21	68			T6	0.16
20012083	BJ2020-83	20-125	83			T8	0.22
20012596	BJ2025-96	25-130	96			T8	0.24
20013011	BJ2030-115	30-135	115	TPGH1103..L	SB-3TR-M3	T8	0.38
20012020	BJ2020-L	120-280	84+BT L1			T8	0.46

- 搪孔刀柄 Taper Shank
- 延長接桿 Extension Spacer
- 接盤 Adapter
- 精搪孔刀本體 Body
- 精搪孔刀桿 Cutting Bar



HRBH 微調精搪孔系統－接盤 Adapter for HRBH Boring System

訂貨編號 Order No.	規格 Model	淨重 N.W.
42638415	h63-NBH/RBH	0.85
42808415	h80-NBH/RBH	1.12



HRBH 微調精搪孔系統－精搪孔刀本體 Body for HRBH Boring System

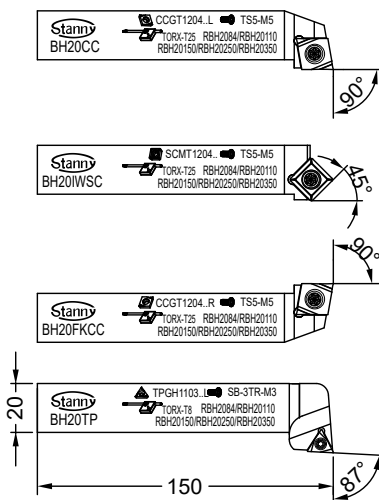
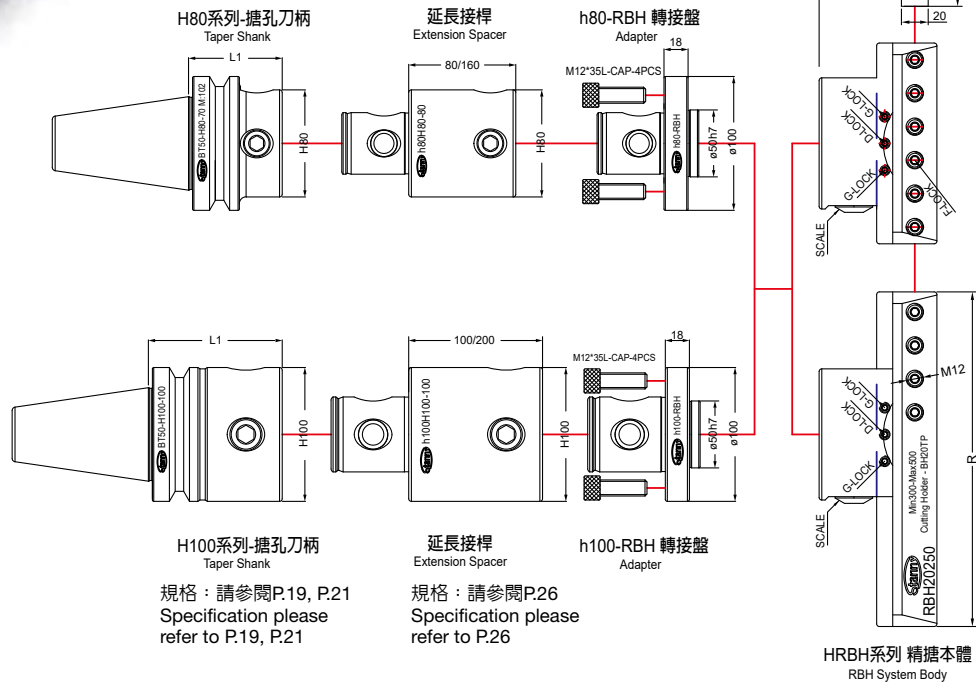
訂貨編號 Order No.	規格 Model	範圍 D Boring Range øDmin-øDmax	滑座外徑 R Body Diameter	刀徑 Cutting Bar	淨重 N.W.
20850080	HRBH2084	140-300	ø84	□20	2.88
20860080	HRBH20110	150-350	ø110	□20	3.88

HRBH 微調精搪孔系統－精搪孔刀桿 Cutting Bar for HRBH Boring System

訂貨編號 Order No.	規格 Model	刀徑 Cutting Bar	刀片 Insert	螺絲 Bolt	板手 Wrench	淨重 N.W.
20020150CC	BH20CC	□20	CCGT1204..L			0.44
20020150W	BH20WSC	□20	SCMT1204..	TS5-M5	T25	0.44
20020150KC	BH20FKCC	□20	CCGT1204..R			0.44
20020150	BH20TP	□20	TPGH1103..L	SB-3TR-M3	T8	0.45



- 搪孔刀柄 Taper Shank
- 延長接桿 Extension Spacer
- 接盤 Adapter
- 精搪孔刀本體 Body
- 精搪孔刀桿 Cutting Bar



HRBH 微調精搪孔系統 – 接盤 Adapter for HRBH Boring System

訂貨編號 Order No.	規格 Model	淨重 N.W.
42801018	h80-RBH	1.52
42101218	h100-RBH	1.95



HRBH 微調精搪孔系統 – 精搪孔刀本體 Body for HRBH Boring System

訂貨編號 Order No.	規格 Model	範圍 D Boring Range øDmin-øDmax	滑座外徑 R Body Diameter	刀徑 Cutting Bar	淨重 N.W.
20870080	HRBH20150	170-370	ø150	□20	4.88
20880080	HRBH20250	270-470	ø250	□20	5.90
20890080	HRBH20350	370-570	ø350	□20	7.35

**MORSE RAPIDE DI ALTA PRECISIONE
ETAUX RAPIDES DE HAUTE PRECISION
MORDAZAS RAPIDAS DE ALTA PRECISION
TORNOS RÁPIDOS DE ALTA PRECISÃO
HIGH PRECISION VISE**

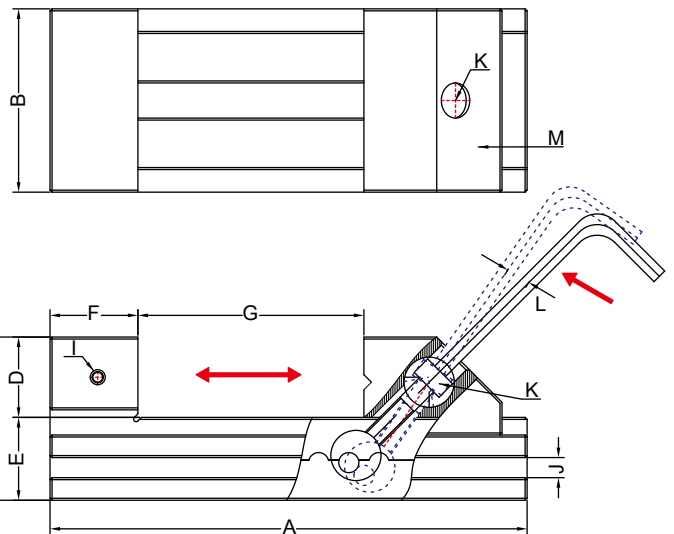
不鏽鋼精密虎鉗—高精度耐磨不易變形，高品質經深冷處理



MODEL	NTA-TYPE
Mat.	SUS 440C
Paral. //	<0.003mm/100mm
Ort./Squareness ⊥	<0.005mm/100mm
HRC	58±2

Trattamento sotto zero/Traitement au-dessous de zéro/Tratamiento a temperatura bajo cero/Tratamento feito abaixo de zero/To subzero treatment

MODEL	A	B	C	D	E	F	G	I	J	K	N.W.
NTA215	150	50	50	20	30	30	75	M6	6	M6×40	1.64kg
NTA319	195	75	65	32	33	40	100	M6	8	M8×50	4.04kg
NTA425	250	100	80	40	40	45	126	M8	10	M10×60	8.62kg



新型虎鉗，增加使用上快速、穩定

1. 在前進、移動鉗口、要往前推即可定位。
2. 在夾緊，移動鉗口定位、轉動六角扳手旋緊，旋緊螺絲。
3. 在放鬆，反向轉動六角扳手、移動鉗口自動後退。
4. 在退後，六角扳手往上壓，如L，脫離定位，即可往後拉。
5. 注意，螺絲與凸輪螺母，D牙接觸在2/3以上，但不可將螺絲旋轉到底，此時移動鉗口無法往後退。螺絲旋緊角度應持45°左右為佳。

I

MORSE RAPIDE DI ALTA PRECISIONE

Sono attrezzi ideali per il bloccaggio ed il posizionamento di precisione dei pezzi, sia per la lavorazione che per il controllo. Sono indicate per l'uso su rettificatrici, fresatrici, centri di lavoro e macchine per elettroerosione.

OPERATIVITA'

Per il bloccaggio spingere in avanti la ganaschia sino ad arrivare nella posizione desiderata e stringere la vite K. Effetto "LOCK DOWN" (GANASCIA DISCENDENTE).
Per lo sbloccaggio, allentare la vite K e spingere la chiave verso l'alto: la ganaschia si sblocca ed è libera di scorrere rapidamente lungo la guida.

F

ETAUX RAPIDES DE HAUTE PRECISION

Ce sont des outils idéaux pour le blocage et le positionnement de précision des pièces, aussi bien pour l'usinage que pour le contrôle. Leur emploi est indiqué pour l'utilisation sur les rectifieuses, les fraiseuses, dans les centres d'usinage et sur les machines d'électroérosion.

FONCTIONNEMENT

Pour bloquer les pièces, pousser en avant la mâchoire jusqu'à atteindre la position désirée et serrer la vis K. Effet "LOCK DOWN" (MACHOIRE DESCENDANTE).
Pour débloquer les pièces, desserrer la vis K et pousser la clé vers le haut: la mâchoire est débloquée et libre de coulisser rapidement le long de la glissière.



SINERGYA È ORA PARTE DI EMMEPI UTENSILERIA.



**SCOPRI LA GAMMA
COMPLETA
E AGGIORNATA**

utensileria.it/sinergya/



Emmepi Utensileria s.r.l.
SEDE LEGALE
+39 0445 576210
Via Lago di Albano, 5 - 36015 Schio (VI)



Cuma
DIVISIONE PRODUZIONE
+39 049 870 0810
Viale della Regione Veneto, 22, 35127 Padova (PD)

utensileria.it
ordini@utensileria.it